

MATRICE 200 SERIES

DISCLAIMER AND SAFETY GUIDELINES

免责声明和安全操作指引

免責聲明與安全指導方針

免責事項および安全に関するガイドライン

고지 사항 및 안전 가이드

HAFTUNGSAUSSCHLUSS UND SICHERHEITSVORSCHRIFTEN

RENUNCIA DE RESPONSABILIDAD Y DIRECTRICES DE SEGURIDAD

CLAUSE D'EXCLUSION DE RESPONSABILITÉ ET CONSIGNES DE SÉCURITÉ

LIMITAZIONI DI RESPONSABILITÀ E DIRETTIVE SULLA SICUREZZA

DISCLAIMER EN VEILIGHEIDSRICHTLIJNEN

ISENÇÃO DE RESPONSABILIDADE E DIRETRIZES DE SEGURANÇA

ОТКАЗ ОТ ОТВЕТСТВЕННОСТИ И РУКОВОДСТВО ПО ТЕХНИКЕ БЕЗОПАСНОСТИ

V1.0 2017.05



EN Contents

Safety at a Glance	4
NOTICE	6
Glossary	6
Pre-flight Checklist	6
Disclaimer and Warning	6
Before You Begin	7
Individual Parts	7
Product Care	8
Flight Condition Requirements	9
Flight Modes, Functions and Warnings	9
Compliance with Regulations & No Fly Zones	11

CHS 目録

安全概要	12
词汇表	13
禁飞区	13
飞行前检查列表	14
免责声明与警告	14
使用前须知	14
部件使用须知	14
产品保养	15
飞行条件要求	16
飞行模式和警告	16
法规规范与飞行限制	18

CHT 目錄

安全總覽	19
詞彙表	20
禁航區	20
飛行前檢查表	21
免責聲明與警告	21
在您開始之前	21
零組件使用須知	21
產品保養	22
飛行環境要求	23
飛行模式和警告	23
法律規範與禁航	25

JP 目次

安全についての概要	26
注記	28
用語集	28
フライト前チェックリスト	28
免責事項および警告	28
使用を開始する前に	28
各部部品	29
本製品の取り扱い	30
フライトの必須条件	30
フライトモード、機能と警告	31
法令遵守と飛行禁止区域	33

KR 목차

안전 지침 요약	34
말씀	36
용어집	36
비행 전 체크리스트	36
고지 사항 및 경고	36
시작하기 전에	36
개별 부품	37
제품 관리	38
비행 조건 요구사항	38
비행 모드, 기능 및 경고	39
규정 및 비행 금지 구역 준수	41

DE Inhalt

Sicherheitsvorschriften auf einen Blick	42
HINWEIS	44
Glossar	44
Checkliste für die Flugvorbereitung	44
Haftungsausschluss und Warnhinweis	44
Vorbereitungen	45
Einzelteile	45
Pflege des Produkts	46
Anforderungen an die Flugumgebung	47
Flugmodi, Funktionen und Warnhinweise	47
Einhaltung von Vorschriften und Flugverbotszonen	49

ES Contenido

Seguridad de un vistazo	50
AVISO	52
Glosario	52
Lista de comprobación previa al vuelo	52
Renuncia de responsabilidad y advertencia	52
Antes de comenzar	53
Piezas individuales	53
Cuidado del producto	54
Requisitos de condiciones de vuelo	55
Modos de vuelo, funciones y advertencias	55
Cumplimiento de las normativas y zonas de exclusión aérea	57

FR Sommaire

Sécurité – Aperçu	58
AVIS	60
Glossaire	60
Liste de vérifications avant le vol	60
Clause d'exclusion de responsabilité et mise en garde	60
Avant de commencer	61
Pièces détachées	61
Entretien du produit	62
Exigences relatives aux conditions de vol	63
Modes de vol, fonctions et avertissements	63
Respect de la réglementation et des zones d'exclusion aérienne	65

IT Sommario

Sicurezza in sintesi	66
AV/AVSO	68
Glossario	68
Elenco dei controlli preliminari	68
Limitazioni di responsabilità e avvertimenti	68
Prima di cominciare	69
Singoli componenti	69
Cura del prodotto	70
Requisiti ambientali di volo	71
Modalità di volo, funzioni e avvertimenti	71
Conformità alle normative e zone interdette al volo	73

NL Inhoud

Veiligheid in één oogopslag	74
OPMERKING	76
Woordenlijst	76
Controlelijst ter voorbereiding van de vlucht	76
Disclaimer en waarschuwing	76
Voordat je begint	77
Atzonderlijke onderdelen	77
Zorg voor het product	78
Vereisten voor vluchtcondities	79
Vluchtmodi, functies en waarschuwingen	79
Naleving van regelgeving en No Fly Zones	81

PT Conteúdo

Noções de segurança	82
ATENÇÃO	84
Glossário	84
Lista de verificação de pré-voo	84
Isenção de responsabilidade e aviso	84
Antes de começar	85
Peças individuais	85
Cuidados com o produto	86
Requisitos de condições de voo	87
Modos de voo, funções e advertências	87
Conformidade com as regulamentações e as Zonas de Exclusão Aérea	89

RU Содержание

Краткий обзор правил техники безопасности	90
ПРИМЕЧАНИЕ	92
Обозначения	92
Перед полетом	92
Заявление об отказе от ответственности и предупреждение	92
Перед началом эксплуатации	93
Отдельные компоненты	93
Уход за продуктом	94
Требования к условиям полета	95
Режимы полета, функции и предупреждения	95
Соответствие нормативно-правовым актам и зоны, запрещенные для полетов	97

Safety at a Glance

1. Environmental Considerations

- Always fly at locations that are clear of building and other obstacles.
- DO NOT fly above or near large crowds.
- Avoid flying at altitudes above 400 feet (120 m)*.
- Fly in moderate weather conditions with temperatures between -4° to 113°F (-20° to 45°C).
- Please take additional caution while flying indoors because the aircraft stabilization features may be interfered.
- DO NOT fly when the wind speed exceeds 10 m/s or 22 mph.

2. Pre-flight Checklist

- Ensure the remote controller and aircraft batteries are fully charged.
- Ensure the propellers are in good condition and securely tightened before each flight.
- Ensure there is nothing obstructing the motors.
- Check that the camera lens is clean and free of stains.
- Only calibrate the compass when the DJI GO™ 4 app or the status indicator prompt you to do so.
- Altering or modifying the aircraft's parts may impact its stability. Strictly follow DJI's official instruction to attach compatible external equipment and please ensure that the overall weight of the aircraft does not exceed 6.14kg after attachment. Be sure that the external equipment is mounted in the right position as provided in the official instruction to avoid the displacement of the aircraft's center of gravity.

3. Operation

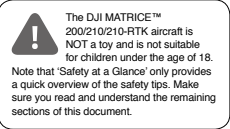
- Stay away from the rotating propellers and motors.
- Maintain visual line of sight of your aircraft at all times.
- The function of stopping motor mid-flight by pressing the RTH button while simultaneously pulling the left stick to the bottom inside corner and holding for 3 seconds is disabled by default. The user should go inside DJI GO 4 app to enable this function. Only activate this function in an emergency situation.
- DO NOT answer incoming calls, texting messages or using any other features of your mobile devices that may distract you from operating your aircraft in flight. DO NOT fly under the influence of alcohols or drugs.
- DO NOT fly closely above reflective surfaces such as water or snow, as these terrain may affect the performance of the Vision System.
- In the instance of a Low Battery Warning, land the aircraft immediately at a safe location.
- During the Return-to-Home procedure, you can adjust the flight altitude to avoid obstacles.
- After landing, first stop the motor, then turn off the Intelligent Flight Battery, and then turn off the remote controller.
- When using TapFly™ or ActiveTrack™ features, be prepared to take control of the aircraft by pushing the sticks. Please note that the aircraft will continue performing the TapFly or ActiveTrack functions after you pushing the sticks. Press the STOP button on the remote controller or on the screen to exit the such on-going functions completely.
- While with advanced technology, the pilot's sound discretion is required during the flight. Safety and flight assistance features such as obstacle avoidance, precise landing, and landing protection, are designed to assist your operation, not to replace it. Environmental conditions including lighting and obstacle's texture may impact the performance of the Vision System.
- Please set the Return-to-Home Altitude higher than surrounding obstacles in the DJI GO 4 app.
- Landing protection (detects if the ground is suitable for landing at an altitude of 2 meters above the ground) is used to optimize the operation experience. Always be alert when in control of the aircraft as the vision system may be disabled in certain situations (e.g. dim lighting or unclear obstacle surface patterns), and ground surface detection may fail.

4. Maintenance and Upkeep

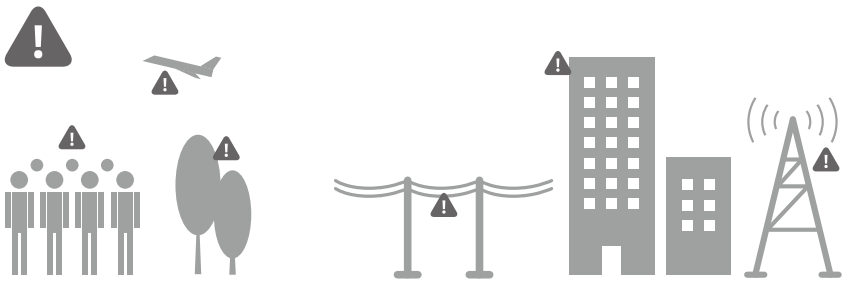
- DO NOT use aged, chipped or broken propellers.
- Recommended storage temperature: between 71° and 86° F (22° and 30° C).
- Refer to the Intelligent Flight Battery Safety Guidelines for more information about safe use of the battery.

5. Observe Local Laws and Regulations

- DO NOT fly in the No Fly Zones. You can find relevant information of these areas at <http://fllysafe.dji.com/>. Please check with local aviation authorities for a complete lists and regulations of No Fly Zones.
- The flight altitude restriction varies in different jurisdictions. DO NOT fly above the maximum altitudes set forth in your local laws and regulations.
- Avoid flying in areas where rescue teams are actively using the airspace.



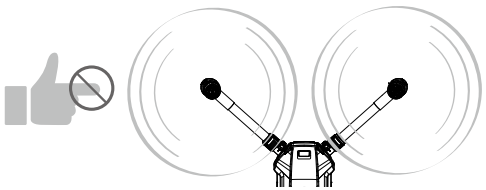
*The flying altitude restriction varies in different jurisdictions. DO NOT fly above the maximum altitudes set forth in your local laws and regulations.



Avoid flying over or near crowds, trees or airports. Strong electromagnetic sources such as power lines, base stations, and tall buildings may affect the onboard compass. It is recommended to use Matrice 210-RTK. Always stay alert about surroundings in flight.



DO NOT use the aircraft in adverse weather conditions such as rain, snow, fog and wind speeds exceeding 10 m/s or 22 mph.



Stay away from the rotating propellers and motors.



Learn more at:
<http://flysafe.dji.com/no-fly>

NOTICE

All instructions and other collateral documents are subject to change at the sole discretion of SZ DJI TECHNOLOGY CO., LTD (“DJI”). For up-to-date product information, visit <http://www.dji.com> and check on the product page.

Glossary

The following terms are used throughout this document literature to indicate various levels of potential harm when operating this product:

NOTICE NOTICE: Procedures, which if not properly followed, create a possibility of physical property damage AND a little or no possibility of injury.

CAUTION CAUTION: Procedures, which if not properly followed, create the probability of physical property damage AND a possibility of serious injury.

WARNING WARNING: Procedures, which if not properly followed, create the probability of property damage, collateral damage, and serious injury OR create a high probability of serious injury.



WARNING

Read the **ENTIRE** user manual to become familiar with the features of

this product before operation. Failure to operate the product as instructed by the user manual may result in damage to the product or personal property and cause serious injury.

This is a sophisticated product. It must be operated with caution and common sense and requires some basic mechanical ability. Failure to operate this product in a safe and responsible manner could result in injury or damage to the product or other property. This product is not intended for use by children. **DO NOT** use incompatible components or alter this product in any way unless otherwise allowed by relevant documents provided by SZ DJI TECHNOLOGY CO., LTD. These Safety Guidelines contain instructions for safety, operation and maintenance. It is important to read and follow all of the instructions and warnings in the user manual, prior to assembly, setup or use, in order to operate the product safely and avoid damage or serious injury.

AGE RECOMMENDATION: NOT FOR CHILDREN UNDER THE AGE OF 18. THIS IS NOT A TOY.

Pre-flight Checklist

1. Ensure that you are using only genuine parts and that all parts are in mint condition.
2. Ensure the remote controller, Intelligent Flight Battery, and mobile device are fully charged.
3. Ensure that there is no foreign object stuck to the camera lens, the Micro SD card has been inserted into the aircraft, and the gimbal can rotate freely before powering it on.
4. Ensure the propellers and mounting plates are securely mounted onto the motors, and the motors can start and function normally.
5. Follow the on-screen instructions to calibrate the compass.
6. Ensure the DJI GO 4 app and aircraft's firmware have been upgraded to the latest version.
7. Ensure that your flight area is outside the No Fly Zones and flight conditions are suitable for flying the aircraft.
8. Be sure that you are NOT flying under the influence of alcohol, drugs or any substance that may impair your cognitive abilities.
9. Be familiar with the selected flight mode and understand all safety functions and warnings.
10. Be sure to observe all local regulations, obtain appropriate authorizations, and understand the risks. REMEMBER: It is solely your responsibility to comply with all applicable regulations.
11. Please MAINTAIN VISUAL LINE OF SIGHT (WITH YOUR EYES) OF YOUR AIRCRAFT AT ALL TIMES. Please DO NOT only rely on first person view camera to control your aircraft.
12. Ensure the DJI GO 4 app is properly launched to assist your

operation of the aircraft. Without the flight data recorded by the DJI GO 4 app, in certain situations (including the loss of your aircraft) DJI™ may not be able to provide aftersales support to you or assume liability.

Disclaimer and Warning

This product is NOT a toy and is not suitable for children under the age of 18. Adults should keep the aircraft out of the reach of children and exercise caution when operating this aircraft in the presence of children.

While the product adopts advanced technology, inappropriate use of the product could result in personal injury or property damages. Please read the materials associated with the product before your first use of the product. These documents are included in the product package and are also available online on the DJI product page at <http://www.dji.com>.

The information in this document affects your safety and your legal rights and responsibilities. Read this entire document carefully to ensure proper configuration before use. Failure to read and follow the instructions and warnings in this document may result in product loss, serious injury to you, or damage to your aircraft.

By using this product, you hereby signify that you have read this disclaimer carefully and that you understand and agree to abide by the terms and conditions herein. EXCEPT AS EXPRESSLY PROVIDED IN DJI AFTER-SALES SERVICE POLICIES AVAILABLE AT ([HTTP://WWW.DJI.COM/SERVICE/POLICY](http://www.dji.com/service/policy)), THE PRODUCT AND ALL MATERIALS, AND CONTENT AVAILABLE THROUGH THE PRODUCT ARE PROVIDED “AS IS” AND ON AN “AS AVAILABLE” BASIS, WITHOUT WARRANTY OR CONDITION OF ANY KIND, EITHER EXPRESS OR IMPLIED. DJI DISCLAIMS ALL WARRANTIES OF ANY KIND, EXCEPT AS EXPRESSLY PROVIDED IN DJI AFTER-SALES SERVICE POLICIES, WHETHER EXPRESS OR IMPLIED, RELATING TO THE PRODUCT, PRODUCT ACCESSORIES, AND ALL MATERIALS, INCLUDING: (A) ANY IMPLIED WARRANTY OF MERCHANTABILITY, FITNESS FOR A PARTICULAR PURPOSE, TITLE, QUIET ENJOYMENT, OR NON-INFRINGEMENT; AND (B) ANY WARRANTY ARISING OUT OF COURSE OF DEALING, USAGE, OR TRADE. DJI DOES NOT WARRANT, EXCEPT AS EXPRESSLY PROVIDED IN DJI LIMITED WARRANTY, THAT THE PRODUCT, PRODUCT ACCESSORIES, OR ANY PORTION OF THE PRODUCT, OR ANY MATERIALS, WILL BE UNINTERRUPTED, SECURE, OR FREE OF ERRORS, VIRUSES, OR OTHER HARMFUL COMPONENTS, AND DO NOT WARRANT THAT ANY OF THOSE ISSUES WILL BE CORRECTED.

NO ADVICE OR INFORMATION, WHETHER ORAL OR WRITTEN, OBTAINED BY YOU FROM THE PRODUCT, PRODUCT ACCESSORIES, OR ANY MATERIALS WILL CREATE ANY WARRANTY REGARDING DJI OR THE PRODUCT THAT IS NOT EXPRESSLY STATED IN THESE TERMS. YOU ASSUME ALL RISK FOR ANY DAMAGE THAT MAY RESULT FROM YOUR USE OF OR ACCESS TO THE PRODUCT, PRODUCT ACCESSORIES, AND ANY MATERIALS. YOU UNDERSTAND AND AGREE THAT YOU USE THE PRODUCT AT YOUR OWN DISCRETION AND RISK, AND THAT YOU ARE SOLELY RESPONSIBLE FOR ANY PERSONAL INJURY, DEATH, DAMAGE TO YOUR PROPERTY (INCLUDING YOUR COMPUTER SYSTEM OR MOBILE DEVICE OR DJI HARDWARE USED IN CONNECTION WITH THE PRODUCT) OR THIRD PARTY PROPERTY, OR THE LOSS OF DATA THAT RESULTS FROM YOUR USE OF OR INABILITY TO USE THE PRODUCT.

SOME JURISDICTIONS MAY PROHIBIT A DISCLAIMER OF WARRANTIES AND YOU MAY HAVE OTHER RIGHTS THAT VARY FROM JURISDICTION TO JURISDICTION.

DJI assumes no liability for damage, injury or any legal responsibility incurred directly or indirectly from the use of this product. The user shall observe safe and lawful practices including, but not limited to, those set forth in these Safety Guidelines.

Data Storage and Usage

When you use our mobile app or our products or other software, data regarding the use and operation of the product, such as flight

telemetry data (e.g., speed, altitude, battery life, and information about the gimbal and camera) and operations records, may be provided to DJI. The internal storage device incorporated into the product stores various types of data, including flight telemetry data. You may also provide flight telemetry data and other data to us when you manually transmit that information from the internal storage device to us. Please refer to DJI Privacy Policy (available at <http://www.dji.com/policy>) for more information.

Before You Begin

This product is an aircraft that offers easy flight when in good working order as set forth below. Visit <http://www.dji.com> for the most current instructions and warnings and <http://knowbeforeyoufly.org/> for more information about flight safety and compliance.

The following documents have been produced to help you safely operate and make full use of your aircraft:

In the Box

Disclaimer and Safety Guidelines

Intelligent Flight Battery Safety Guidelines

Quick Start Guide

User Manual

Check all of the included parts listed in the In the Box document and read the Disclaimer and Safety Guidelines before flight. Then prepare for your first flight by using the Quick Start Guide and watching all of the tutorial videos on DJI's official website (<http://www.dji.com>). If you have questions, refer to the User Manual in the app or on DJI's official website for more comprehensive information. Make sure you fully understand the functionality of each individual part, the flight condition requirements, the key contingency warning functions/systems, and all government regulations before each flight. If you have any questions or problems during the assembly, maintenance or use of this product, please contact DJI or a DJI authorized dealer.

Individual Parts

Regarding Genuine and Functional Parts

⚠ WARNING

To avoid component malfunction, serious injury, and property damage, observe the following rules:

1. Use only genuine DJI parts or parts certified by DJI. Unauthorized parts or parts from non-DJI certified manufacturers may cause system malfunctions and compromise safety.
2. Ensure there are no foreign objects (such as water, oil, soil, sand, etc.) inside of the aircraft or its components.
3. Ensure the aircraft and its components – including but not limited to the remote controller, camera, gimbal, compass, propulsion system, and battery – are all in good working order, damage-free, and functioning well. Refer to the remaining sections in this document for more details on how to ensure the functionality of these components.
4. DO NOT modify or alter the aircraft, its components, and parts. Unauthorized modification may cause malfunctions and affect the aircraft's functionality and safety.

Remote Controller

NOTICE

1. Ensure the remote controller is fully charged before each flight.
2. If the remote controller is powered on and has NOT been used for 5 minutes, it will sound an alert. After 6 minutes it will automatically power off. Move the sticks or perform some other action to cancel the alert.
3. Adjust the clamp of the mobile device holder to allow a firm grip on your mobile device.
4. Ensure the mobile device holder is firmly in place and does not slip.
5. Ensure the antennas of the remote controller are unfolded and adjusted to the proper position to achieve optimal transmission quality.
6. Repair or replace the remote controller if damaged. A damaged remote controller antenna will greatly decrease performance.

7. Linking is required if you wish to replace your remote controller or receiver or add a new remote controller. Refer to the User Manual for details.
8. Make Sure that you first switch off the aircraft (after it is safe to do so), then switch off the Remote Controller. Otherwise it may cause the loss of control of the aircraft.
9. Fully charge the battery at least once every three months to maintain battery health.

Compass

CAUTION

To avoid possible serious injury and property damage, observe the following rule:

Land immediately when obvious drifting occurs in flight, i.e., the aircraft does NOT fly in straight lines.

NOTICE

Only calibrate the compass when the DJI GO 4 app or the status indicator prompt you to do so. Observe the following rules when calibrating your compass:

1. DO NOT calibrate your compass where there is magnetic interference, such as interference by magnetite, parking structures, or steel reinforcements underground.
2. DO NOT carry ferromagnetic materials with you during calibration such as cellular phones.
3. The DJI GO 4 app will prompt you to resolve the compass issue if the compass is affected by strong interference after calibration is complete. Follow the prompted instructions to resolve the compass issue.

Propulsion Systems

⚠ WARNING

To avoid serious injury to yourself or others, which may be caused by the rotating propellers and motors, observe the following rules:

Propellers

1. DO NOT use aged, chipped, or broken propellers.
2. Always power off the aircraft before touching the propellers.
3. Be aware of the sharp edges of the propellers when mounting or removing the propellers. Wear gloves or take other protective measures when touching the propellers.
4. Whenever necessary, use tools (e.g., wrench, screwdriver, pliers, etc.) to remove or install the propellers.
5. Ensure the propellers are securely mounted to prevent them from falling off the motors.
6. DO NOT turn on the motors when propellers are mounted and there are other people or animals in the immediate vicinity.
7. Using third-party propellers may compromise the aerodynamics of the aircraft. For a better and safer flight experience, we recommend you to use original DJI propellers only.
8. Wipe the propellers to make them dry before each flight where the surrounding temperature is around 0°C (32°F) to avoid the propellers from having frosted.

Motors

1. Ensure the motors are securely mounted and rotating smoothly.
2. DO NOT attempt to modify the structure of the motors.
3. DO NOT touch or let your hands or body come in contact with the motors after flight as they may be hot.

CAUTION

To avoid possible serious injury and property damage, observe the following rules:

1. DO NOT block any of the ventilation holes on the motors.
2. DO NOT block any of the ventilation holes on the frame arm of the aircraft.

NOTICE

Motors

1. Keep the motors free of dust.
2. If a motor is stuck and unable to rotate freely, execute the CSC (Combination Stick Command) to stop the motors immediately.

Electronic Speed Controllers

Ensure the ESCs sound a normal tune when powered on.

DJI GO 4 App

NOTICE

1. Be sure to fully charge your tablet or mobile device before launching the app.
2. Mobile cellular data is required when using the DJI GO 4 app. Please contact your wireless carrier for data charges.
3. If you are using a phone as your mobile display device, be sure to continue flying safely when the phone receives an incoming call. DO NOT accept phone calls during flight.
4. Read all prompted safety tips, warning messages, and disclaimers carefully. Be familiar with the related regulations in your area. You are solely responsible for being aware of all relevant regulations and flying in a way that is compliant.
 - a. Read and understand the warning messages before using the Auto-take off and Auto-land feature.
 - b. Read and understand the warning messages before re-setting your Home Point.
 - c. Read and understand the warning messages and disclaimer before setting the altitude beyond the regulatory limit.
 - d. Read and understand the warning messages and disclaimer before switching between the flights modes.
5. Land your aircraft immediately at a safe location if there is an alert shown on the app.
6. Examine and check all warning messages on the checklist displayed in the app prior to each flight.
7. Use the in-app simulator to practice your flight skills if you have never operated the aircraft or if you DO NOT have sufficient experience to be comfortable operating the aircraft.
8. Cache the map data of the area where you intend to fly the aircraft by connecting to the Internet before each flight.
9. The app is designed to assist your operation. Please use your sound discretion and DO NOT rely on the app to control your aircraft.
10. Your use of the app is subject to the DJI GO 4 app Terms of Use and DJI Privacy Policy. Please read them carefully in the app.

Firmware

⚠ WARNING

To avoid serious injury to children and animals, observe the following rule:

Keep children and animals at a safe distance during any firmware upgrade, system calibration, and parameter setting procedures.

NOTICE

1. For safety, always update the firmware to the latest version when an upgrade notification is shown in the DJI GO 4 app.
2. Firmware upgrade notifications will inform about new firmware upgrades. You are required to read and understand the information shown. You further understand and agree that the data including but not limited to flight telemetry data and user selection records may be uploaded to and maintained on a DJI designated server.
3. Be sure to update the remote controller's firmware to the latest version after you update the aircraft's firmware.
4. The remote controller may become unlinked from the aircraft after updating. Re-link the remote controller and aircraft.
5. Be sure to check all connections and remove the propellers from the motors before performing the firmware update.

Camera (Optional)

⚠ WARNING

To avoid possible serious injury and property damage, observe the following rule:

DO NOT block any ventilation holes on the camera as the heat generated may hurt you and damage the device.

NOTICE

1. Check camera settings before use to make sure you can adjust them to fit your needs.
2. Test the camera by shooting a few test images and check that it is

operating correctly before shooting important pictures or videos.

3. DO NOT remove the Micro SD card from the aircraft when it is powered on.
4. Photos or videos cannot be transmitted or copied from the aircraft if the Intelligent Flight Battery is powered off.
5. Be sure to power off the Intelligent Flight Battery correctly, otherwise your camera parameters will NOT be saved and any recorded videos may be damaged.
6. Regardless of the reason, DJI will not be responsible for any failure of an image or video to be recorded or having been recorded in a way that is not machine readable.

Gimbal (Optional)

NOTICE

1. Precision elements in the gimbal may be damaged in a collision or impact, which may cause the gimbal to function abnormally.
2. DO NOT apply external force to the gimbal after the gimbal is powered on.
3. DO NOT add any payloads to the gimbal, as this may cause the gimbal to function abnormally or even lead to motor damage.
4. The gimbal and gimbal connector are very delicate. Handle with care and DO NOT touch the gimbal connector, as any damage will cause it to function abnormally.
5. Hold the gimbal firmly when detaching or reattaching it, so it does not drop.
6. DO NOT attach or remove the gimbal with the aircraft powering on.
7. Single gimbal and dual gimbals should be used separately.
8. When use single upward gimbal and dual downward gimbals, ensure to strictly follow the instruction on the User Manual, mounting compatible gimbal cameras correctly, or the image transmission may fail.

Product Care

Storage and Transportation

⚠ WARNING

To avoid serious injury to children and animals, observe the following rule:

Small parts, such as cables and straps, are dangerous if swallowed. Keep all parts out of reach of children and animals.

NOTICE

1. Store the Intelligent Flight Battery and remote controller in a cool, dry place away from direct sunlight to ensure the built-in LiPo battery does NOT overheat. Recommended storage temperature: between 71° and 86° F (22° and 30° C) for storage periods of more than three months. Never store in environments outside the temperature range of -4° to 113° F (-20° to 45° C).
2. DO NOT allow the camera to come into contact with, or become immersed in, water or other liquids. If it gets wet, wipe dry with a soft, absorbent cloth. Turning on an aircraft that has fallen into water may cause permanent component damage. DO NOT use substances containing alcohol, benzene, thinners or other flammable substances to clean or maintain the camera. DO NOT store the camera in humid or dusty areas.
3. Detach the gimbal from the aircraft when storing for a long period of time or transporting over long distances.
4. DO NOT connect this product to any USB interface that is older than version 2.0. DO NOT connect this product to any 'power USB' or similar devices.

Maintenance and Upkeep

NOTICE

1. Please contact DJI recommended service centers for product inspection or repair after any crash or violent impact. Operating damaged aircraft is very dangerous and may cause bodily injury or property damage.
2. The battery can be stored for three months if its remaining battery level stays between 40% to 65%. Fully charge and discharge the battery at least once every three months to maintain battery health.
3. It is recommended to schedule a maintenance service every 50

hours of flight time for flight safety and reliability.

Flight Condition Requirements

Weather Conditions and Surrounding Environment

⚠ WARNING

The aircraft is designed to operate in good to moderate weather conditions. To avoid collision, serious injury and property damage, observe the following rules:

1. DO NOT use the aircraft in severe weather conditions. These include wind speeds exceeding 10 m/s, snow, rain, smog, heavy wind, hail, lightning, tornadoes or hurricanes.
2. Keep the aircraft at least 30 feet (10 meters) away from obstacles, people, animals, buildings, public infrastructure, trees, and bodies of water when in flight. Stay even further away from the above objects as your altitude increases.
3. Be EXTRA cautious when operating the aircraft indoors. Some features of the aircraft, especially the stabilization feature, may be impacted.
4. Be sure to enable the Vision System when flying indoors. Note that the Vision System may NOT work properly when it is flying over water, over surfaces without a clear pattern, or in a dim environment.

NOTICE

1. Aircraft and battery performance is subject to environmental factors such as air density and temperature.
 - a. DO NOT operate the aircraft when the temperature is outside the range of -4° to 113° F (-20° to 45° C).
2. DO NOT use the aircraft near accidents, fire, explosions, floods, tsunamis, avalanches, landslides, earthquakes, dust, or sandstorms.

Interference with Communications

NOTICE

1. Check if any part of the aircraft has been hit or crashed. Contact DJI support or the authorized dealers when needed.
2. Fly in open areas. Tall buildings or steel structures may affect the accuracy of the on-board compass and block the GPS signal.
3. Avoid interference between the remote controller and other wireless equipment. Make sure to turn off the Wi-Fi on your mobile device.
4. Be extremely alert when fly near areas with magnetic or radio interference and M210-RTK is recommended in such environment. These include but are NOT limited to: high voltage lines, large scale power transmission stations or mobile base stations and broadcasting towers. Failing to do so may compromise the transmission quality of this product or cause remote controller and video transmission errors which may affect flight orientation and location accuracy. The aircraft may behave abnormally or go out of control in areas with too much interference.

Operating the Aircraft Responsibly

⚠ WARNING

To avoid serious injury and property damage, observe the following rules:

1. Make sure you are NOT drunk, or under the influence of drugs, anesthesia, or suffering from dizziness, fatigue, nausea or any other conditions, whether physical or mental, that could impair your ability to operate the aircraft safely.
2. Pulling the left stick to the bottom inside corner and pressing the RTH button at the same time will stop the motor when the aircraft is airborne. The landing function of the aircraft will not be triggered. DO NOT perform the aforementioned combination command unless in an emergency situation. This function is turned off by default. You may turn on this combination command feature via the DJI GO 4 app.
3. Upon landing, power off the aircraft first, then switch off the remote controller.
4. DO NOT drop, launch, fire or otherwise project any dangerous payloads on or at any buildings, persons or animals, or which could cause personal injury or property damage.

5. DO NOT use the aircraft that has been crashed or accidently hit, or the aircraft that is not in good condition.

NOTICE

1. Make sure you have been sufficiently trained and are fully aware of any contingency plans before accidents happen.
2. Make sure you have a flight plan and never fly the aircraft recklessly.
3. Respect the privacy of others when using the camera. Make sure you comply with local privacy laws, regulations, and moral standards.
4. DO NOT use this product for any reason other than general personal use. DO NOT use it for any illegal or inappropriate purpose (such as spying, military operations, or unauthorized investigations).
5. DO NOT use this product to defame, abuse, harass, stalk, threaten or otherwise violate the legal rights (such as the right of privacy and publicity) of others.
6. DO NOT trespass into private property of others.

Flight Modes, Functions and Warnings

Flight Modes

⚠ WARNING

To avoid serious injury and property damage, observe the following rule:

DO NOT switch from P-mode to either A-mode or S-mode unless you are sufficiently familiar with the aircraft's behavior for each flight mode, since disabling GPS may result in being unable to land the aircraft safely.

NOTICE

P-mode or S-mode is preferred for most flight scenarios. Users can switch to A-mode if P-mode or S-mode is unavailable. When flying in A-mode, take EXTRA precautions because some features are NOT available in A-mode. When flying indoors, the aircraft cannot perform precision hovering when flying above the surfaces that do not have a clear pattern. Refer to the "Vision System and Infrared Sensing System" section for complete indoor flying criteria.

1. **P-mode (Positioning):** P-mode works best when the GPS signal is strong. The aircraft utilizes the GPS and Vision System to automatically stabilize itself, navigate between obstacles or track a moving object. Advanced features such as TapFly and ActiveTrack are enabled in this mode.
2. **S-mode (Sports):** S-mode is identical to P-mode in terms of flight controller settings, except that the handling gain values of the aircraft are adjusted in order to enhance the maneuverability of the aircraft. The maximum flight speed of the aircraft is increased in this mode.
3. **A-mode (Attitude):** When neither the GPS nor the Vision System is available, the aircraft will only use its barometer for positioning to control the altitude.

If you intend to switch to modes that disable GPS assistance (e.g., A mode), you are required to accept the prompted disclaimer to enable this function. If this function is enabled, you further understand and agree that data including but not limited to flight telemetry data and function records could be uploaded to and maintained on a DJI designated server.

Failsafe and Return to Home

NOTICE

1. The Return to Home feature will NOT work if the GPS signal is insufficient (GPS signal less than three bars) or if GPS is not active.
2. Press the RTH (Return to Home) Button on the remote controller to initiate the Return to Home process instead of turning off the remote controller.
3. Tall buildings may adversely affect the Failsafe function. Please adjust the aircraft location, altitude and speed while returning home to avoid obstacles. Aircraft will stop ascending and immediately return to the Home Point if you move the left stick if the aircraft reaches 65 feet (20 meters) altitudes or beyond during Failsafe.
4. Make sure to operate the aircraft within the transmission range of

the remote controller.

- Only use the Failsafe and Return to Home functions in case of emergency. Such functions may be affected by the weather, the environment, or any nearby magnetic fields.
- The aircraft cannot avoid obstacles during the Failsafe RTH when lighting condition is not ideal. Therefore, it is important to set an appropriate Failsafe altitude before each flight.
- If the battery life so allows, the aircraft may first return to the last position where it had connection with the remote controller during the Failsafe RTH. As a result, you may observe the aircraft first flying away from you, then returning to the home point.

Low Battery

NOTICE

- When the Critical Battery Level Warning activates and the aircraft is descending automatically, you may push the throttle up to maintain the aircraft's altitude and navigate it to a more appropriate location for landing.
- When battery warnings are triggered, promptly bring the aircraft back to the Home Point or land to avoid losing power during flight and causing damage to the aircraft, property, animals, and people.

D-RTK (For M210-RTK)

NOTICE

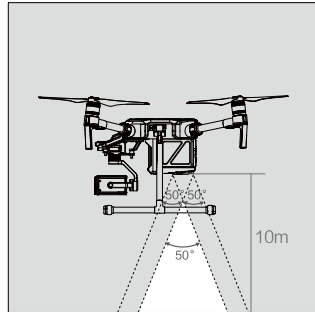
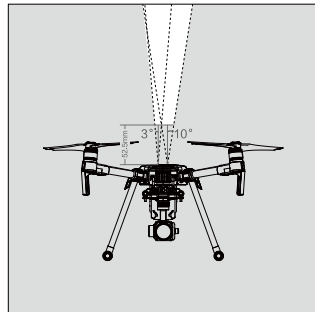
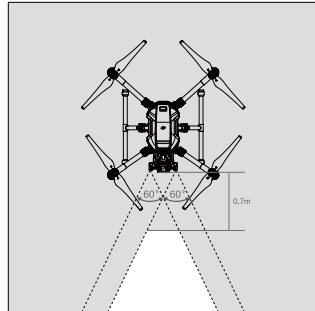
- Only use genuine DJI parts or parts certified by DJI. Unauthorized parts or parts from non-DJI-certificated manufacturers may cause the system to malfunction and compromise safety.
- Operate in an open environment free from radio interference. The antennas should be kept at the same height and DO NOT obstruct each other when used.
- DO NOT bend or fold the antenna cable excessively.
- Ensure that the D-RTK™ and its components are free from contamination (e.g. water, oil, soil and sand).

Vision System and Infrared Sensing System

NOTICE

- The Vision System cannot work properly over surfaces that do NOT have clear pattern variations. The Vision System is only effective when the aircraft is at altitudes of 0.3 to 10 meters.
- The Vision System may NOT function properly when the aircraft is flying over water.
- Keep your pets away from the aircraft when the Vision System is activated, as the sonar sensors emit a high frequency sound that is only audible to some pets.
- Operate the aircraft cautiously when in any of the following situations:
 - Flying over monochrome surfaces (e.g., pure black, pure white, pure red, pure green).
 - Flying over highly reflective surfaces.
 - Flying at high speeds (over 14m/s at 2 meters or over 5m/s at 1 meter).
 - Flying over water or transparent surfaces.
 - Flying over moving surfaces or objects.
 - Flying in an area where the lighting changes frequently or drastically.
 - Flying over extremely dark (< 15 lux) or bright (> 10,000 lux) surfaces.
 - Flying over surfaces that can absorb sound waves (e.g., thick carpet).
 - Flying over surfaces without clear patterns or texture.
 - Flying over surfaces with identical repeating patterns or textures (e.g. tiles with same design).
 - Flying over inclined surfaces that will deflect sound waves away from the aircraft.
 - Tiny obstacles (with less infrared reflection energy).
- In the event of loss of the remote controller's signal and the GPS signal is weak, if the aircraft cannot detect the Home Point, the aircraft will hover for 8 seconds and then auto-land if it is in "P" mode.
- Vision System calibration is required if the aircraft suffers from crashing. Calibrate the Vision System if the DJI GO 4 app prompts you to do so.

- Please be mindful of blind spots (grey) of the Vision System and Infrared Sensing System.



Downward vision system is only used for positioning.

- Do not use other ultrasonic devices with frequency of 40 KHz or more/less when Vision System is in operation. Keep the sensors clean and at all times. DO NOT temper with the sensors.
- The Vision System and Infrared Sensing System are not able to brake and stop the aircraft at a safe distance from an obstacle if the aircraft speed exceeds 14m/s (31.3 mph).

TapFly

CAUTION

To prevent serious injury or property damage, observe the following guidelines:

1. DO NOT instruct the aircraft to fly towards people, animals, small and fine objects (e.g. tree branches and power lines) or transparent objects (e.g. glass and water).
2. Watch out for potential obstacles in your surrounding area (especially on the rear, left, and right sides of the aircraft) and stay clear of them to avoid accidents.
3. Be prepared to take control of the aircraft by pushing the sticks on the remote controller, or press the stop button on the remote controller or on the screen to exit TapFly in case of an emergency.

NOTICE

1. There may be deviations between the expected and actual paths for your TapFly selection.
2. The selectable range on the screen is limited. You cannot make TapFly selections near the upper or lower edges of the screen.
3. The TapFly mode may NOT function properly when the aircraft is flying over water or snow covered area.
4. Be extra cautious when flying in extremely dark (< 300 lux) or bright (> 10,000 lux) environments.

ActiveTrack

To prevent serious injury and property damage, observe the following guidelines:

1. Ensure there are no people, animals, small and fine objects (e.g. tree branches and power lines) or transparent objects (e.g. glass and water) along the desired tracking path.
2. Watch out for potential obstacles in your surrounding area (especially on the rear, left, and right sides of the aircraft) and stay clear of them to avoid accidents.
3. Be prepared to take control of the aircraft by pushing the sticks on the remote controller, or press the stop button on the remote controller or on the screen to exit ActiveTrack in case of an emergency.

NOTICE

1. Be extra cautious when using ActiveTrack in any of the following situations:
 - a. The movement of the tracked subject is not on a level plane;
 - b. The tracked subject changes shape drastically while moving;
 - c. The tracked subject could be blocked or out of sight for a long time;
 - d. When the tracked object is in a snow-covered area;
 - e. The lighting is extremely low (< 300 lux) or high (> 10,000 lux); and
 - f. The tracked subject has a similar color or pattern as the surrounding environment.
2. You must follow local privacy laws and regulations when using ActiveTrack.

Compliance with Regulations & NO Fly Zones

Regulations

WARNING

To avoid, serious injury and property damage, observe the following rules:

1. DO NOT operate in the vicinity of manned aircraft, regardless of altitude. (Land immediately if necessary)
2. DO NOT fly the aircraft in densely populated areas, including cities, sporting events, exhibitions, performances, etc.
3. DO NOT fly the aircraft above the authorized altitude. Remain well clear of and DO NOT interfere with manned aircraft operations. Be aware of and avoid other aircraft and obstacles at all times.

CAUTION

To avoid, serious injury and property damage, observe the following rules:

1. DO NOT fly the aircraft near or inside NO Fly zones specified by local laws and regulations. The NO Fly zone list includes: airports, borders between two sovereign countries or regions, major cities/regions, etc., and is continuously updated.
2. DO NOT fly the aircraft above the authorized altitude.
3. ALWAYS keep your aircraft within visual line of sight (VLOS), and use an observer to assist if needed.

4. NEVER use the aircraft to carry illegal or dangerous goods/payloads.

NOTICE

1. Make sure you understand the nature/type of your flight operation (such as for recreation, for public use, or for commercial use) and have obtained corresponding approval and clearance from the related government agencies before flight. Consult with your local regulators for comprehensive definitions and specific requirements. For users operating their aircraft in the United States, please first visit <http://www.knowbeforeyoufly.org/> and take action appropriate to your circumstances.
2. Please note that remote-controlled aircraft may be banned from conducting commercial activities in certain countries and regions. Check and follow all applicable laws and ordinances before flying as those rules may differ from those stated here.
3. DO NOT fly around sensitive infrastructure or property such as power stations, water treatment facilities, correctional facilities, heavily traveled roadways, government facilities, military zones, etc.
4. Respect the privacy of others when using the camera. DO NOT conduct surveillance operations such as image capture or video recording on any person, entity, event, performance, exhibition, and property without authorization or where there is an expectation of privacy, even if the image or video is captured for personal use.
5. Please be advised that in certain areas, the recording of images and videos from events, performances, exhibitions, or commercial properties by means of a camera may contravene copyright or other legal rights, even if the image or video was shot for personal use.

NO Fly Zones

NOTICE

DJI takes flight safety seriously, and has therefore developed various aids to help users comply with local rules and regulations while flying. We strongly recommend that you update the firmware to the latest version to ensure the following features are fully updated:

NO Fly Zones

1. NO Fly Zones include but are not limited to major airports around world, borders between two sovereign countries or regions, major cities/regions, etc.
2. A list of NO Fly Zones is available on the official DJI website at <http://www.dji.com/flysafe/no-fly> and is subject to periodic updates in line with the latest regulatory requirements without prior notice.
3. Some NO Fly Zones are comprised of several zones. Each zone features circles of various sizes. The aircraft will NOT be able to take off in the inner most zone of the NO Fly Zone, and will descend to the specified altitude when it approaches the edge of the inner most zone. Ground station functionality is disabled when the aircraft is within a NO Fly Zone.
4. Users are NOT able to set up waypoints within NO Fly Zones.

Altitude Limit

1. Fly NO higher than 120 meters (400 feet) above ground level and stay away from any surrounding obstacles. Legal maximum flight altitude may be lower according to your local laws and regulations. Please strictly follow all applicable laws.
2. If you intend to fly above the default altitude limit, you are required to accept the prompted disclaimer to enable the new altitude limit. If a new altitude limit is set, you further understand and agree that data including but not limited to flight telemetry data and altitude limit changes could be uploaded to and maintained on a DJI designated server.

This content is subject to change.

Download the latest version from www.dji.com/matrice-200-series

MATRICE is a trademark of DJI.
Copyright © 2017 DJI All Rights Reserved.

安全概要

1. 环境

- 在远离人群和建筑物的开阔场地飞行。
- 在 -20 至 45°C，天气良好（非下雨，刮风，或极端天气）的环境中飞行。
- 在合法区域飞行，详见第 5 条。
- 室内飞行时请特别小心，部分功能可能无法使用。
- 飞行器仅能承受 10 米 / 秒以下风速，当风速大于等于 10 米 / 秒时，请勿飞行。



2. 检查

- 确保各设备的电量充足。
- 确保螺旋桨无破损并且安装牢固。
- 确保飞行器电机清洁无损。
- 确保相机镜头清洁完好。
- 根据 DJI GO™ 4 App 提示进行飞行前检查并校准指南针。
- 切勿自行对飞行器的零配件进行改装。务必严格按照官方要求安装符合规格的外接设备，并确保安装后飞行器重量不超过 6.14kg。外接设备的安装位置务必合理，确保飞行器重心平衡。

3. 操作

- 切勿靠近工作转动中的螺旋桨和电机。
- 在视距内飞行（VLOS）。
- 紧急停机组合键默认关闭，用户需自行在 App 中开启后才可使用紧急停机功能。开启该功能后，飞行时向内拨动左摇杆的同时按下返航键将导致飞行器坠落。请仅在紧急情况下使用该功能。
- 飞行过程中请勿拨打电话、发送短信，或使用其他可能干扰您操作飞行器的移动设备功能。切勿在神志受到酒精或药物的影响下操作飞行器。
- 飞行器依靠视觉定位飞行时注意避开水面或雪地等镜面反射区域。
- 低电量警示时请尽快返航。
- 在失控返航过程中，若光照条件欠佳时，飞行器将不能自主躲避障碍物，如果遥控信号正常，可通过遥控器控制飞行航向。
- 降落后先关闭飞行器再关闭遥控器，以免造成遥控器信号丢失，启动返航模式。请确保电机完全停机后再关闭飞行器和遥控器电源。
- 在使用指点飞行与智能跟随功能时，应时刻准备在紧急情况下拨动遥控器摇杆以手动控制飞行器。请务必注意此时飞行器还处于智能飞行模式状态，如需完全退出智能飞行模式，请按下遥控器上方的停止按钮或点击屏幕上方的停止按键。
- 请全程保持对飞行器的控制，切勿完全依赖视觉系统和红外感知系统及 DJI GO 4 App 提供的信息。在特定飞行模式下或特定飞行环境中，视觉系统和红外感知系统将无法正常工作，主动刹车等功能将不可用。请依靠肉眼观察，合理判断飞行状况，及时躲避障碍物，并根据飞行环境设置相应飞行及返航高度。
- 降落保护功能（飞行器自动降落时，离地约 2 米时开始检测下方地形）旨在帮助用户减少误操作，以优化用户操控体验。但是在特定飞行环境中（如光线不好），视觉系统或无法正常工作，且地表检测存在一定的误检概率，因此，切勿完全依赖系统功能，请务必全程保持对飞行器的控制并对飞行安全负责。

4. 保养

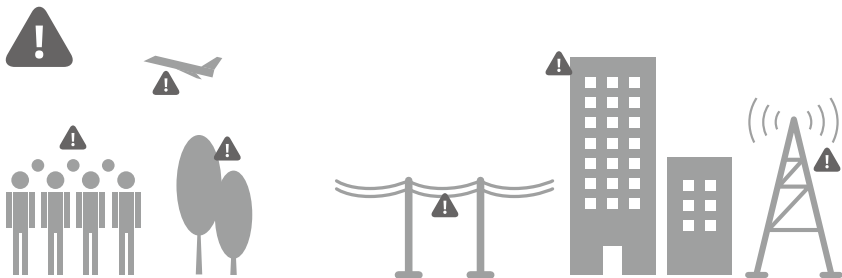
- 请在每一次飞行前检查并及时更换变形或破损的螺旋桨。
- 飞行器与智能飞行电池适合在 22 摄氏度至 30 摄氏度的环境中中长期存放。
- 智能飞行电池保养事宜详见《智能飞行电池安全使用指引》。

5. 限飞与当地法规

- 严禁在限飞区域中飞行。浏览该地址 <http://flysafe.dji.com/> 以获取 DJI 建议的限飞区域列表。
- 控制飞行高度在 120 米以下*，飞行时需严格遵守当地法律法规。



* 各国家 / 地区的限飞高度有所不同，请联系当地的航空管理部门了解实际限高。

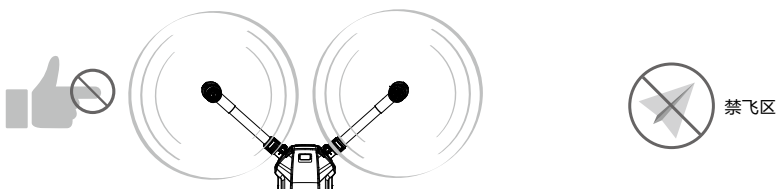


飞行时请远离人群、树木和机场。

无线电发射塔、高压线、变电站、高大建筑物以及具有磁性的大块金属可能会对遥控器信号及指南针产生干扰，推荐使用 Matrice 210-RTK，飞行时务必注意安全。



下雨、大雾、下雪、雷电、大风（风速每秒 10 米及以上）等天气请勿飞行。



切勿接触工作旋转中的螺旋桨，
否则可能受到严重人身财产损失。

详情请访问以下网址：
<http://flysafe.dji.com/no-fly>

词汇表

本产品使用以下词条对因操作不当可能带来的潜在危险分级加以说明。

注意：如果不遵循说明进行操作，可能会导致财产损失和轻微伤害。

小心：如果不遵循说明进行操作，可能会导致财产损失和较严重伤害。

警告：如果不遵循说明进行操作，可能会导致财产损失、重大事故和严重伤害。

警告

通过阅读整个用户手册，熟悉产品的功能之后再进行操作。如果没有正确操作本产品可能会对自身或他人造成严重伤害，或者导致产品损坏和财产损失。本产品较为复杂，需要经过一段时间熟悉后才能安全使用，并且需要具备一些基本常识后才能进行操作。如果有强烈的安全意识，不恰当的操作可能会导致产品损坏和财产损失，甚至对自身或他人造成严重伤害。本产品不适合儿童使用。切勿使用非 DJI 提供或建议的部件，必须严格遵守 DJI 的指引安装和使用产品。本指引文档包含安全、操作和维护等说明。在进行组装、设置和使用之前务必仔细阅读用户手册中的所有说明和警告。

飞行前检查列表

1. 仅使用 DJI™ 正品部件并保证所有部件工作状态良好。
2. 确保遥控器，智能飞行电池以及移动设备电量充足。
3. 确保无任何异物粘附于相机镜头上并且已将存储卡插入飞行器。确保云台能够无阻碍地活动。
4. 确保所有螺旋桨和桨座皆无破损、老化，并正确安装至电机上，且电机能够正常启动。
5. 根据提示进行指南针校准。根据 DJI GO 4 App 及飞行器提示进行指南针校准。
6. 确保固件以及 DJI GO 4 App 已经更新至最新版本。
7. 确保飞行场所处于飞行限制区域之外，且飞行场所适合进行飞行。
8. 用户应确保自己不在酒精、药物影响下操控飞行器。
9. 熟悉了解每种飞行模式。熟悉失控返航模式下飞行器的行为。
10. 用户应自行了解当地有关飞行器的法律法规。如有必要，用户需自行向有关部门申请授权使用飞行器。
11. 当使用视觉定位时，避开在纹理重复度很高的物体表面上空飞行。更多关于使用视觉定位的信息，请参考“视觉系统与红外感知系统”一节。
12. 确保 DJI GO 4 App 已运行以协助飞行。如在飞行时未运行 DJI GO 4 App，在特定情况下（包括飞行器丢失）DJI 将无法向您提供售后支持或承担相应责任。推荐在 DJI GO 4 App 中开启地图纠偏功能。

免责声明与警告

本产品并非玩具，不适合未满 18 岁的人士使用。请勿让儿童接触飞行器，在有儿童出现的场景操作时请务必特别小心注意。使用本产品之前，请仔细阅读本文档。本声明对安全使用本产品以及您的合法权益有着重要影响。

本产品是一款多旋翼飞行器，在电源正常工作及各部件未损坏的情况下将提供轻松自如的飞行体验。访问 <http://www.dji.com> 获取最新说明和警告。DJI 保留更新本免责声明的权利。最新的免责声明，请以 www.dji.com 官网上及您邮件接收的版本为准。

务必在使用产品之前仔细阅读本文档，了解您的合法权益、责任和说明；否则，可能带来财产损失、安全事故和人身安全。一旦使用本产品，即视为您已理解、认可和接受本声明全部条款和内容。使用者承诺对自己的行为及因此而产生的所有后果负责。使用者承诺仅出于正当目的使用本产品，并且同意本条款及 DJI 可能制定的任何相关政策或者准则。您了解并同意，在无 DJI GO 4 App 飞行记录的情况下，DJI 可能无法分析您的产品损坏或事故原因，并无法向您提供 DJI 售后服务。

在法律允许的最大范围内，在任何情况下，DJI 均不对任何间接性、后果性、惩罚性、偶然性、特殊性或惩罚性的损害，包括因您购买、使用或不能使用本产品而遭受的损失，承担责任（即使 DJI 已被告知该等损失的可能性亦然）。

某些国家的法律可能会禁止免除担保类条款，因此您在不同的国家的相关权利可能会有所不同。

在遵从法律法规的情况下，DJI 享有对上条款的最终解释权。DJI 有权在不事先通知的情况下，对本条款进行更新，改版或终止。

使用前须知

为了能让您更安全使用本产品，DJI 为用户提供了以下文档资料：

1. 《物品清单》
2. 《免责声明和安全操作指引》
3. 《智能飞行电池安全使用指引》

4. 《快速入门指南》
5. 《用户手册》

建议您首先按照《物品清单》核对文档资料、物品是否齐全。然后仔细阅读本文档，再观看教学视频、使用《快速入门指南》了解使用过程，飞行前务必仔细阅读《智能飞行电池安全使用指引》和《用户手册》。请确保使用本产品前，您已熟悉本产品各部件的功能，并且了解有关飞行限制的信息，了解紧急返航的过程及当地与飞行有关的法律及相关政策。如果您在使用本产品时有任何疑问，请联系 DJI 或者 DJI 的授权经销商。

部件使用须知

原厂配件

警告

为避免可能的伤害和损失，务必遵守以下各项：

1. 使用原厂配件或经过 DJI 认证的配件。使用非原厂配件有可能对飞行器的安全使用造成危险。
2. 飞行器及各部件内部没有任何异物（如：水、油、沙、土等）。
3. 确保飞行器及其各部件，包括但不限于遥控器、指南针、动力系统以及电池皆正常工作。
4. 切勿自行改装飞行器及其相关部件，否则可能影响飞行器性能，甚至引发飞行事故。

遥控器

注意

1. 每次飞行前，确保遥控器电量充满。
2. 遥控器闲置 5 分钟后将发出报警，闲置超过 6 分钟将自动关机。拨动摇杆可让遥控器恢复为正常工作状态。
3. 使用遥控器上的移动设备支架时，务必压紧避免移动设备滑落。
4. 确保遥控器的移动设备支架安装牢固。
5. 确保遥控器天线展开并调整到合适的位置，以获得最佳的通信效果。
6. 遥控器天线如有损坏将影响使用性能，请及时返修。
7. 如更换遥控器，需要重新对频才能使用。具体步骤请参考用户手册。
8. 确保每次先关闭飞行器电源，再关闭遥控器。
9. 请确保每隔三个月对遥控器进行完全充电一次。

指南针

小心

为避免可能的伤害和损失，务必遵守以下各项：

飞行过程中，一旦出现明显的漂移情况（如飞行器无法飞直线），请马上降落。

注意

请依据 DJI GO 4 App 或飞行器状态指示灯的提示进行指南针校准。校准注意事项如下：

1. 请勿在强磁场区域或大块金属附近校准，如磁矿、停车场、带有地下钢筋的建筑区域等。
2. 校准时请勿随身携带铁磁物质，如手机等。
3. 指南针校准成功后，将飞行器放回地面时，如果受到磁场干扰，DJI GO 4 App 会显示处理方法，请按显示的方法进行相应操作。

动力系统

警告

高速旋转的螺旋桨和电机可能给人带来伤害或者损失，务必遵守以下各项：

螺旋桨

1. 每次飞行前请务必检查各螺旋桨是否完好。如有老化、破损或变形，请更换后再飞行。
2. 确保在飞行器电源保持关闭状态下对螺旋桨进行任何操作。
3. 由于桨叶较薄，安装时请小心操作，以防意外划伤。
4. 在必要时请使用辅助工具以安装及拆卸螺旋桨。
5. 每次飞行前请检查螺旋桨是否安装正确和紧固。
6. 请勿贴近旋转的螺旋桨和电机（例如用手去接正在降落的飞行器），以免划伤。
7. 请务必使用 DJI 原厂螺旋桨。
8. 当飞行器在 0°C 左右的温度下进行飞行时，请提前使用干布擦拭桨叶，以免桨叶在飞行过程中结冰。

电机

1. 确保电机安装牢固并且能自由旋转。
2. 请勿自行改装电机物理结构。
3. 电机停止转动后，请勿立刻用手直接接触电机，否则可能造成烫伤。

小心

为避免可能的伤害和损失，请务必遵守以下各项：

1. 请勿遮挡电机通风孔。
2. 请勿遮挡飞行器壳体上的通风孔。

注意

电机

1. 确保电机内无异物。
2. 若电机无法自由转动，请立即执行掰杆动作以停止电机转动。

电调

确保飞行器电源开启后，电调有发出提示音。

DJI GO 4 App

注意

1. 使用 DJI GO 4 App 前请确保移动设备电源充足。推荐使用平板电脑以获得最佳体验。
2. 使用 DJI GO 4 App 需要使用蜂窝移动数据，请联系您的移动设备数据提供商获取最新的数据流量资费标准。
3. 当您在手机上使用 DJI GO 4 App 时，请将注意力集中在操控飞行器上，切勿在飞行过程中接听来电。
4. 在使用 DJI GO 4 App 期间，仔细阅读所有弹出的安全提示、警示信息以及免责声明。务必了解当地的相关法律法规。您将对所有违反当地法律法规的飞行行为负责。
 - a. 阅读并理解在使用自动起飞和降落时弹出的警示信息。
 - b. 阅读并理解在重设返航点时弹出的警示信息。
 - c. 阅读并理解在设定超过高度限制范围时弹出的警示信息以及免责声明。
 - d. 阅读并理解在切换飞行模式时弹出的警示信息以及免责声明。
5. 当 DJI GO 4 App 提示用户需降落飞行器时，务必及时将飞行器降落至安全地点。
6. 每次飞行前，务必根据 DJI GO 4 App 提供的飞行前检查列表进行各项检查。
7. 如果您从未操作过同类飞行器，则推荐您使用 DJI GO 4 App 自带的模拟器练习飞行器操控技巧。
8. 地图界面中使用的地图需从互联网下载。使用该功能前，建议将移动设备接入互联网以缓存地图。
9. DJI GO 4 App 主要用于辅助操作，切勿完全依赖于 App，同时请开启设备声音。
10. 使用 DJI GO 4 App 前，您须同意 DJI GO 4 App 使用条款及 DJI 隐私政策。该使用条款及隐私政策限制了 DJI 的部分法律责任，请在 App 内仔细阅读。

固件

警告

为避免可能的伤害和损失，请务必遵守以下各项：
在固件升级、校准系统以及设定参数时务必使飞行器远离人群或动物。

注意

1. 请务必将固件版本更新至最新以保证飞行安全。
2. 当 DJI GO 4 App 检测到有新版本的固件时，将会显示提示信息，用户阅读并理解提示信息的全部内容。用户了解并同意，若选择不升级固件，DJI 将会保留此次操作的信息，并将选择结果上传并存放于 DJI 指定的服务器上。
3. 一旦升级飞行器，请务必将遥控器也升级到最新固件。
4. 固件升级完成后，遥控器有可能与飞行器连接断开。升级完成后需要重新对频。
5. 升级固件前确保螺旋桨已经被移除。

相机（选配）

警告

为避免可能的伤害和损失，请务必遵守以下各项：
确保相机的散热孔无遮挡；否则高温可能导致相机损坏，甚至烫伤您或他人。

注意

1. 在使用相机拍摄前检查相机参数设置，确保参数正确。
2. 在使用本设备拍摄重要影像时，请在实际拍摄之前进行数次测试拍摄，以确保设备处于正常的工作状态。
3. 先关闭飞行器电源，再插拔机身的 Micro SD 卡。
4. 必须开启智能飞行电池，才能拷贝相片或者视频。
5. 请正确关闭飞行器电池，否则相机的参数将不能保存，且正在录制的视频会损坏。
6. DJI 对无法获取视频和相片造成的损失不承担任何责任，比如 SD 卡损坏、SD 卡内素材丢失。

云台（选配）

注意

1. 云台含有精密部件，若受到碰撞或损伤，精密部件会损坏，可能会导致云台性能下降。请爱护相机云台免受物理损伤。
2. 云台工作时切勿对其施加外力。
3. 请勿在相机云台上增加任何物体，否则可能会影响云台性能，甚至烧毁电机。
4. 云台与飞行器之间的连接件以及减震球属于易损部件，务必小心处置。
5. 在移除与安装相机云台时，务必用手握住相机云台。
6. 请勿带电安装及拆卸云台相机。
7. 双云台和上云台系统需分开使用，请勿同时使用。
8. 当使用双云台或上云台系统时，请按照《用户手册》里的说明安装云台相机到合适的云台上。安装错误将无图传信号。

产品保养

存储与运输

警告

为避免可能的伤害和损失，请务必遵守以下各项：
由于线材和小零件可能会对儿童造成危险，所以务必让儿童远离飞行器的部件。

注意

1. 将智能飞行电池存放于干燥通风处，减少阳光直射以防止电池过热。若需存放超过三个月，则推荐的存放温度区间为 22 摄氏度至 30 摄氏度。切勿将电池存放于低于零下 20 摄氏度或高于 45 摄氏度的场所。

- 切勿让相机接触到液体或浸入水中。若相机入水，请及时用松软干布擦拭。切勿在飞行器落水后立刻开启电源，否则将会对飞行器造成永久损坏。切勿使用含酒精等易挥发成分的液体清洁相机镜头。切勿将相机存放于潮湿的场所。
- 若需要长期存放或长途运输相机，则需要将相机从飞行器上取下。
- 切勿使用不符合 USB 2.0 规格的数据连接线。

维护

注意

- 检查飞行器的各个部件是否曾经受到强烈撞击。如有疑问，请联系 DJI 技术支持人员或 DJI 授权的代理商。
- 保持电量在 40% - 65% 之间，电池可存放三个月。每隔 3 个月左右重新充放电一次可以更好地保持电池活性。
- 对于 Matrice 飞行器的用户，建议每经过 50 小时飞行时长后对飞行进行一次保养。具体保养内容请参考对应的保养手册。

飞行条件要求

天气以及环境要求

警告

请在天气情况以及环境条件良好的情况下进行飞行。为避免可能的伤害和损失，务必遵守以下各项：

- 恶劣天气下请勿飞行，如大风（风速五级及以上）、下雪、下雨、有雾天气等。
- 飞行时，请保持在视线范围内控制，使飞行器时刻与障碍物、人群、水面等物体保持至少 10 米以上的距离。
- 在室内操作飞行器时需格外注意。由于 GPS 系统、视觉系统及红外感知系统在室内可能无法正常工作，飞行器的飞行稳定将会受到较大影响，可能危及人身或财产安全。
- 在室内飞行时，确保视觉系统已经开启并工作正常。请注意，视觉系统在由于视觉系统容易受光照强度，物体表面纹理情况的影响，在水面、或纹理重复度很高的物体表面等场景下请谨慎使用视觉系统。

注意

- 智能飞行电池性能受到空气密度以及环境温度的影响。
 - 不推荐在低于 -20 摄氏度或高于 45 摄氏度的环境下使用飞行器。
- 在遭遇火灾、爆炸、雷击、暴风、龙卷风、暴雨、洪水、地震、沙暴等灾害时不得使用飞行器。

无线通信需求

注意

- 检查飞行器的各个部件是否曾经受到强烈撞击。如有疑问，请联系 DJI 技术支持人员或 DJI 授权的代理商。
- 确保在开阔空旷处操控飞行器。高大的钢筋建筑物、山体、岩石、树林有可能对飞行器的指南针和 GPS 信号造成干扰。
- 为防止遥控器与其他无线设备相互干扰，务必在关闭其它无线设备后再使用飞行器遥控器。
- 在电磁干扰源附近飞行时请务必保持谨慎，推荐使用 M210-RTK。电磁干扰源包括但不限于：高压电线、高压输电站、移动电话基站和电视广播信号塔。在上述场所飞行时，飞行器的无线传输性能将有可能受到干扰影响，若干扰源过大，飞行器将无法正常工作。

安全飞行

警告

为避免可能的伤害和损失，务必遵守以下各项：

- 用户不得在饮酒、吸毒、药物麻醉、头晕、乏力、恶心等其

他身体状态不佳或精神状况不佳的情况下操控本产品。

- 除非发生特殊情况（如飞行器可能撞向人群），禁止在飞行途中同时向内拨动左摇杆并按下返航按键（该功能需要于 DJI GO 4 App 中开启）。
- 降落后务必先关闭飞行器然后关闭遥控器。
- 禁止使用本产品向建筑物、人群或动物投掷、发射任何危险物体。
- 用户须立即停止使用发生事故（例如碰撞或倾覆等）或飞行状态异常的飞行器。在由 DJI 或其推荐维修中心进行维修前，用户不得继续使用该飞行器。

注意

- 用户应确保已经对飞行器有足够程度的了解，并清楚所有的紧急返航措施。
- 每次飞行前，用户应当准备好飞行计划。请勿鲁莽、即兴、随意操控本产品。
- 在使用本产品的相机拍摄前，请务必尊重他人隐私权。确保在使用飞行器的相机前，用户已清楚并理解当地有关隐私的法律法规。
- 禁止使用本产品进行任何违法及不当行为（包括但不限于间谍、军事行动以及非法调查工作）。
- 禁止使用本产品进行任何违反他人隐私权的行为。
- 禁止使用本产品侵犯他人物权。

飞行模式和警示

飞行模式

警告

为避免可能的伤害和损失，务必遵守以下各项：

务必在您熟悉飞行器的特性和各种飞行模式之后，才能进行 P 模式切换到 A 模式或者 S 模式的操作。不使用 GPS 可能会使飞行器降落存在安全隐患。

注意

尽可能使用 P 模式进行飞行。在无法使用 P 模式时，用户可切换至 A 模式，某些在 P 模式下具备的功能在 A 模式下将无法使用。所以在使用 A 模式时需格外小心。在室内飞行时，飞行器将无法在纹理重复度很高的物体表面上空精确悬停。更多关于使用视觉定位的信息，请参考“视觉系统与红外感知系统”一节。

- P 模式（定位）：**使用 GPS 模块和视觉系统以实现精确悬停，指点飞行，智能跟随与高级模式等功能。飞行器的感度值被适当调低。
 - S 模式（运动）：**使用 GPS 模块和视觉系统以实现精确悬停。该模式下飞行器的感度值将适当调高，最大飞行速度将会提升。请特别注意，S 模式下飞行器无法主动刹车和躲避障碍物。请预留至少 50 米的刹车距离以保障飞行安全。
 - A 模式（姿态）：**不使用 GPS 模块与视觉系统进行定位，仅提供姿态增稳，若 GPS 卫星信号良好可实现返航，否则，返航功能将不能实现。
- 如果用户需要在不同的飞行模式之间进行切换，则用户必须点击从 App 弹出的免责声明以确认该选择。DJI GO 4 app 将会对用户的进行选择进行记录。

失控返航

注意

- 失控返航在 GPS 信号欠佳（GPS 信号强度低于三格）的情况下将失效。
- 长按智能返航按键以启动智能返航，启动智能返航后，飞行器将会返回最近记录的返航点。请勿采用关闭遥控器电源的方式强制启动返航功能。
- 若返航路线上存在高大建筑物会对飞行器返航安全造成影响

响，因此在使用失控返航功能前需要预先设定合理的返航高度。返航过程中，当飞行器上升至 20 米以后但没达到预设返航高度前，若用户推动油门杆，飞行器将会停止上升并从当前高度返航。

4. 确保在遥控器通讯范围内操控飞行器。
5. 返航功能会受天气、环境以及地磁等因素影响。
6. 在失控返航过程中，若光照条件欠佳（光照小于 15lux 或者光照大于 10,000lux）时，飞行器将不能自主躲避障碍物。切勿依赖视觉系统。请保持对飞行器的监控，必要时建议用户操控遥控器躲避障碍物，或短按遥控器智能返航按键以取消返航。
7. 失控返航时，如电量允许，飞行器将首先返回至无线信号中断前的位置点，再直线返回最近记录的返航点。因此，在启动失控返航之后，飞行器有可能向返航点的反方向飞行。

低电量

注意

1. 严重低电量报警发出后，飞行器将自行下降。此时，用户仍可以推油门杆拉升飞行高度并控制飞行器航向，使之飞行至合适场所再降落。
2. 当低电量报警发出时，务必将飞行器在安全地点降落，以防止飞行器失去动力后对飞行器、人以及动物造成危险。

D-RTK（适用于 M210-RTK）

注意

1. 使用原厂配件或经过 DJI 认证的配件。使用非原厂配件有可能对系统的安全使用造成危险。
2. 请在开阔、不受无线电干扰的环境中使用 D-RTK™。使用过程中切勿遮挡 D-RTK 天线，并保持 D-RTK 天空端的天线高度一致。
3. 请勿过度弯曲和折叠 D-RTK 天线馈线。
4. 请勿使任何异物进入 D-RTK，包括但不限于液体、油、沙土等。

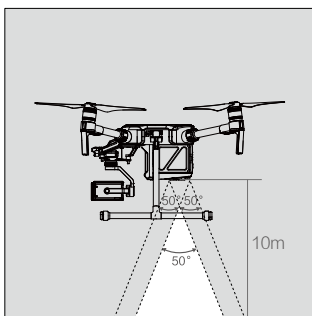
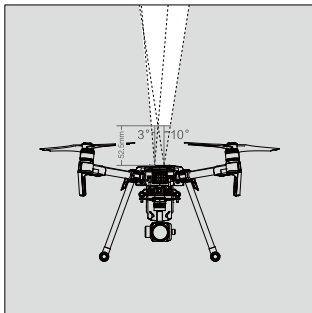
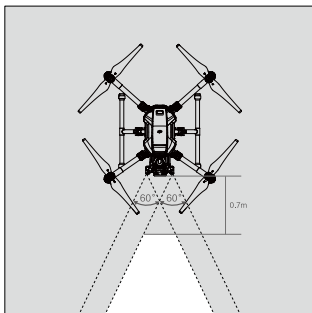
视觉系统与红外感知系统

注意

1. 视觉系统无法在没有纹理特征的表面上正常工作，使用视觉系统时，飞行器最高飞行高度为 10 米。在 0.3 米以下快速飞行时，视觉系统可能无法正常工作。
2. 视觉系统在水面上可能无法正常工作。因此，当降落功能触发时，飞行器可能无法主动回避下方水域。建议用户对飞行保持全程控制，并根据周围环境进行合理判断，不过度依赖视觉系统。
3. 由于视觉系统会发出人耳无法识别的超声波，该超声波或会引起动物不安，使用时请远离动物。
4. 在以下场景下视觉系统无法正常工作：
 - a. 纯色表面（例如纯黑、纯白、纯红、纯绿）。
 - b. 有强烈反光或者倒影的表面。
 - c. 飞行器速度不宜过快，如离地 1 米处时飞行速度不可超过 5 米/秒，离地 2 米不可超过 14 米/秒。
 - d. 水面或者透明物体表面。
 - e. 运动物体表面（例如人流上方、大风吹动的灌木或者草丛上方）。
 - f. 光照剧烈快速变化的场景。
 - g. 在特别暗（光照小于 15lux）或者特别亮（光照大于 10,000lux）的物体表面。
 - h. 对超声波有很强吸收作用的材质表面（例如很厚的地毯）。
 - i. 纹理特别稀疏的表面。
 - j. 纹理重复度很高的物体表面（例如颜色相同的小格子砖）。
 - k. 倾斜度超过 30 度的物体表面（不能收到超声波回波）。
 - l. 细小的障碍物（红外反射能量较少）。
5. 如果遥控器与飞行器断开，且此时 GPS 信号较差，且飞行器失去对返航位置的判断，但视觉系统工作正常，则飞行器将悬停 8 秒后自动降落。

器失去对返航位置的判断，但视觉系统工作正常，则飞行器将悬停 8 秒后自动降落。

6. 如果飞行器受到强烈碰撞，则有可能导致需要视觉系统重新校准。详情请参照用户手册。
7. 请注意视觉系统与红外感知系统的盲区（灰色）。飞行器无法主动规避存在于盲区内的障碍物。



下视视觉系统仅用来进行定位。

9. 请勿以任何方式干扰视觉系统及红外感知系统（在飞行器附近开启其他 40 KHz 超声波设备将干扰视觉系统），并确保传感器镜头清晰无污点。
10. 主动刹车功能在飞行器姿态角大于 25 度，或飞行速度高于 14 米/秒的情况下将无法正常工作。

指点飞行

小心

为避免可能的伤害和损失，务必遵守以下各项：

1. 请勿指示飞行器飞向人、动物、细小物体（如：树枝或电线等）、或透明物体（如：玻璃或水等）。
2. 始终留意来自飞行器四周的物体并通过手动操作来避免事故（如：碰撞）。
3. 时刻准备在紧急情况下拨动遥控器摇杆以手动控制飞行器。请务必注意此时飞行器还处于智能飞行模式状态，如需完全退出智能飞行模式，请按遥控器上方的停止按钮或点击屏幕上方的停止按键。

注意

1. 用户选定的指点飞行的方向与飞行器实际飞行的方向可能存在误差。
2. 用户在屏幕上可以选择的指点飞行的范围是有限的，在靠近操作界面的上部或下部边界处点击时可能无法进行指点飞行。
3. 指点飞行模式在水面上或积雪覆盖区域可能无法正常工作。
4. 在光照条件特别暗（光照小于 300lux）或者特别亮（光照大于 10,000lux）的条件下，本模式功能可能无法实现，请谨慎使用。

智能跟随

1. 请在飞行器的跟随路径上始终避开他人、动物、细小物体（如：树枝或电线等）、或透明物体（如：玻璃或水等）。
2. 始终留意来自飞行器四周的物体并通过手动操作来避免事故（如碰撞）及对飞行器的遮挡。
3. 时刻准备在紧急情况下拨动遥控器摇杆以手动控制飞行器。请务必注意此时飞行器还处于智能飞行模式状态，如需完全退出智能飞行模式，请按遥控器上方的停止按钮或点击屏幕上方的停止按键。

注意

1. 在以下场景下视觉系统无法正常工作，不建议使用智能跟随模式：
 - a. 当被跟随物体的移动不在水平的地面上时；
 - b. 当被跟随物体在移动时产生大幅度形变的；
 - c. 当被跟随物体被长时间遮挡或位于视线外；
 - d. 当被跟随物体在积雪覆盖的区域；
 - e. 在特别暗（光照小于 300lux）或者特别亮（光照大于 10,000lux）的时候；
 - f. 当被跟随物体与周围的环境颜色或图案非常相近时。
2. 用户在使用智能跟随模式时，请务必遵守当地的法律法规对隐私权的规定。

法律规范与飞行限制

法律规范

警告

为避免违法行为、可能的伤害和损失，务必遵守以下各项：

1. 切勿在载人飞机等民用航空器附近飞行。必要时立即降落。
2. 禁止在人口密集地区使用飞行器。这些地区包括：城市、体育比赛场馆、展会、演唱会。
3. 确保飞行器飞行时不会对航线上大型载人飞行器造成影响。时刻保持警惕并躲避其他飞行器。

小心

为避免违法行为、可能的伤害和损失，务必遵守以下各项：

1. 禁止操控飞行器使之进入法律法规规定的禁飞区。禁飞区可能包括：机场、边境线以及主要城市。
2. 禁止在超过限定高度的空域飞行。
3. 确保飞行器在您的视距范围内飞行，若有必要可安排观察员

帮助您监控飞行器位置。

4. 禁止使用飞行器搭载任何违法危险物品。

注意

1. 确保您已清楚了解飞行活动的类别（例如：娱乐、公务或商务）。在飞行前务必获取相关部门颁发的许可证。如有必要，可向当地法务工作者咨询飞行活动类别的详细定义说明。请注意，在某些地区与国家禁止使用飞行器进行任何形式的商业行为。
2. 禁止在敏感建筑设施，例如：发电站、水电站、监狱、交通要道、政府大楼以及军事设施附近使用飞行器。
3. 使用飞行器进行拍摄时务必尊重他人隐私权。禁止使用本产品进行任何未经授权的视频活动，这些活动包括但不限于对他人、团体、活动、表演、展会或楼宇进行监视。
4. 请注意，在某些地区与国家，尽管不是出于商业目的，但是使用相机对他人、团体、活动、表演、展会等进行录像或者拍照也将侵犯版权、隐私权或者其他人的其他合法权益。在某些地区与国家，小型航拍模型亦被禁止参与任何商业行为。因此，使用前请仔细了解并遵循当地法律法规。

飞行限制

注意

DJI 一贯强调飞行安全，为了达到该目的，DJI 提供了多种技术手段以协助用户能够在符合本地法律法规的框架下安全使用飞行器。强烈建议用户从 DJI 官网下载并安装最新版本的固件，以确保飞行限制功能可以正常使用。飞行限制功能包括：

飞行限制区域

1. 飞行限制区域包括但不仅限于国际大型机场、两国边境线以及大城市及区域等。
2. 用户可以通过访问 <http://flysafe.dji.com/no-fly> 查询关于飞行限制区域的列表，请注意该列表将随时更新以适应本地法律法规。用户可能还需向空管、公安等政府部门确认在飞行地是否属于限制区域以确保合法飞行。
3. 某些飞行限制区域是由多个子区域组成。每个子区域有各自的区域半径。飞行器在最靠近机场的禁飞区域内时将无法起飞。当飞行器在禁飞区外的限高区域飞行时，飞行高度将受到限制，限飞高度随着靠近“禁飞区”的距离呈线性递减。另外，用户将无法在限制飞行区域内使用地面站功能。
4. 用户无法在飞行限制区域内设置航点。

高度限制

1. 保持飞行高度在 120 米以下，飞行时飞行器应远离任何高大建筑物。
2. 如果需要在默认限定高度以上的场所飞行，用户需要阅读了解并点击从 App 中弹出的免责声明信息后方可进行余下的操作。用户清楚并了解，如果设定了新的飞行高度，则本次操作的选择将会上传至 DJI 指定的服务器上。

内容如有更新，恕不另行通知。

您可以在 DJI 官方网站查询最新版本
www.dji.com/matrice-200-series

MATRICE 是大疆创新的商标
Copyright © 2017 大疆创新 版权所有

安全總覽

1. 環境

- 在遠離人群和建築物的開闊場地飛行。
- 在 -20 至 45°C，天氣良好（非下雨、颶風或極端天氣）的環境中飛行。
- 在合法區域飛行，詳情請見第 5 條。
- 室內飛行時請特別小心，部分功能可能無法使用。
- 航拍機僅能承受 10 公尺/秒以下風速，當風速大於或等於 10 公尺/秒時，請勿飛行。

2. 檢查

- 確保各裝置的電量充足。
- 確保螺旋槳無破損並且安裝牢固。
- 確保航拍機馬達清潔無損。
- 確保相機鏡頭清潔完好。
- 根據 DJI GO™ 4 應用程式提示，進行飛行前檢查並校準指南針。
- 切勿自行對航拍機的零配件進行改裝。務必嚴格按照官方要求安裝符合規格的外接裝置，並確保安裝後航拍機重量不超過 6.14 kg。外接裝置的安裝位置務必合理，確保航拍機重心平穩。

3. 操作

- 切勿靠近運轉中的螺旋槳和馬達。
- 在視線內飛行 (VLOS)。
- 緊急停機組合鍵預設為關閉，使用者需自行在應用程式中開啟後，才可使用緊急停機功能。開啟該功能後，飛行時向內撥動左搖桿的同時按下返航鍵，將導致航拍機墜落。請僅在緊急情況下使用該功能。
- 飛行過程中請勿接聽電話、發送簡訊，或使用其他可能干擾您操作航拍機的行動裝置功能。切勿在意識受到酒精或藥物的影響下操作航拍機。
- 航拍機依靠視覺定位飛行時，請注意避開水面或雪地等鏡面反射區域。
- 發出低電量警告時請立即返航。
- 在故障安全返航過程中，若光照條件欠佳時，航拍機將不能自行躲避障礙物，如果遙控訊號正常，可透過遙控器控制飛行航向。
- 降落後，請先關閉航拍機再關閉遙控器，以免造成遙控器訊號遺失而啟動返航模式。請確保馬達完全停止後，再關閉航拍機和遙控器的電源。
- 在使用指點飛行與智慧跟隨功能時，應隨時準備在緊急情況下撥動遙控器搖桿，以手動控制航拍機。請務必注意此時航拍機還處於智能飛行模式狀態，如需完全退出智能飛行模式，請按下遙控器上方的停止按鈕，或點選螢幕上方的停止按鈕。
- 請全程保持對航拍機的控制，切勿完全依賴視覺系統、紅外線感知系統及 DJI GO 4 應用程式提供的資訊。在特定飛行模式下或特定飛行環境中，視覺系統和紅外線感知系統將無法正常運作，而主動剎車等功能也無法使用。請依靠肉眼觀察，合理判斷飛行狀況，及時躲避障礙物，並根據飛行環境來設定相應飛行及返航高度。
- 降落保護功能（於航拍機自動降落且離地約 2 公尺時，開始檢測下方地形）旨在幫助使用者減少不當操作，以優化使用者操控體驗。但是在特定飛行環境中（如光線不好），視覺系統或許無法正常運作，且地表檢測存在一定的誤檢機率，因此，切勿完全依賴系統功能，請務必全程保持對航拍機的控制並對飛行安全負責。

4. 保養

- 每一次飛行前，請檢查並及時更換變形或破損的螺旋槳。
- 航拍機與智能飛行電池適合在 22°C 至 30°C 的環境中長期存放。
- 如需智能飛行電池保養事宜的相關資訊，請見《智能飛行電池安全使用指南》。

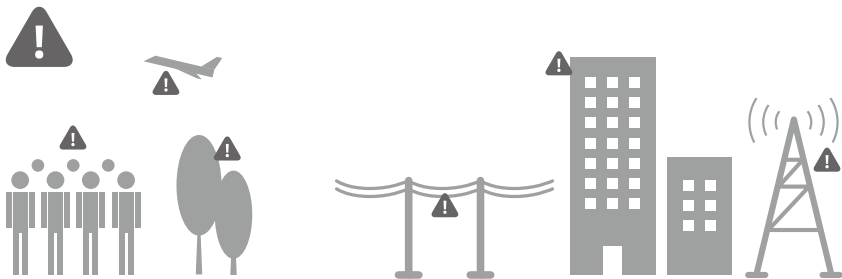
5. 禁航與當地法規

- 嚴禁在禁航區中飛行。請參閱 <http://flysafe.dji.com/> 以取得 DJI 建議的禁航區清單。
- 將飛行高度控制在 120 公尺以下*，並且飛行時應嚴格遵守當地法律規定。

 使用 DJI MATRICE™200 系列航拍機具有一定程度的安全風險，因此不適合未滿 18 歲者使用。安全總覽僅包含部分的飛行安全知識，請務必仔細閱讀本《免費說明與安全指導方針》和《使用者手冊》（可至 <http://www.dji.com/cn/matrice-200/info#downloads> 下載）的全部內容。



* 各國家/地區的限飛高度有所不同，請聯絡當地的航空管理部門以瞭解實際限高。

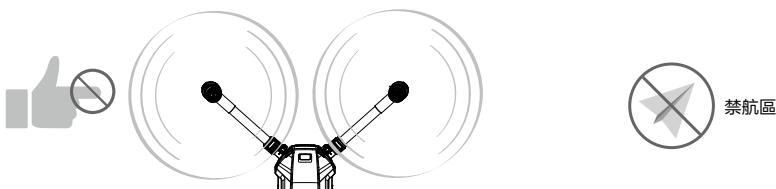


飛行時請遠離人群、樹木和機場。

無線電發射塔、高壓線、變電站、高大建築物及具有磁性的大型金屬物體均可能對遙控器訊號及指南針產生干擾，建議使用 Matrice 210-RTK，飛行時請務必注意安全。



請勿在下雨、起大霧、下雪、打雷閃電、颶風（風速每秒 10 公尺以上）等天氣下飛行。



請遠離正在旋轉的螺旋槳和馬達，否則可能會嚴重危及人身及財產安全。

詳情請參閱以下網站：
<http://fllysafe.dji.com/no-fly>

詞彙表

下列詞彙廣泛用於本產品文件中，針對因操作不當可能帶來的潛在危險分級加以說明。

注意：如果未按照說明進行操作，可能會導致財產損失和輕微傷害。

小心：如果未按照說明進行操作，可能會導致財產損失和較嚴重的傷害。

警告：如果未按照說明進行操作，可能會導致財產損失、重大事故和嚴重傷害。



警告

於操作前，請務必詳讀整份使用者手冊，以熟悉產品功能。若未能以安全負責的態度操作本產品，可能會導致人員受傷、產品受損，或造成其他財物損失。本產品較為複雜，需要經過一段時間熟悉後才能安全使用，並且需要具備一些基本常識後才能進行操作。如果沒有強烈的安全意識，不恰當的操作可能會導致產品損壞和財產損失，甚至對自身或他人造成嚴重傷害。本產品不適合兒童使用。切勿使用非 DJI 提供或建議的零組件，必須嚴格遵守 DJI 的指南安裝和使用產品。本指南文件包含安全、操作和維護等說明。在進行組裝、設定和使用之前，務必仔細閱讀使用者手冊中的所有說明和警告。

飛行前檢查表

1. 僅使用 DJI™ 原廠零組件，並確定所有零組件運作狀態良好。
2. 確定遙控器、智能飛行電池及行動裝置電池的電量充足。
3. 確保無任何異物黏附於相機鏡頭上，並且已將記憶卡插入航拍機。確保雲台能夠阻礙地活動。
4. 確保所有螺旋槳和槳座皆無破損、老化並已正確安裝至馬達上，且馬達能夠正常啟動。
5. 根據提示，進行指南針校正。根據 DJI GO 4 應用程式及航拍機提示，進行指南針校準。
6. 確定韌體及 DJI GO 4 應用程式均已更新至最新版本。
7. 確定飛行場地不在飛行限制區域之內，且該飛行場地適合進行飛行。
8. 使用者應確保自己在操控航拍機時，未受到酒精和藥物影響。
9. 熟悉並瞭解每種飛行模式。熟悉故障安全返航模式下航拍機的行為。
10. 使用者應自行瞭解當地對於航拍機的相關法規。如有必要，使用者需自行向相關部門申請授權使用航拍機。
11. 使用視覺定位時，應避免在紋理重複度很高的物體表面上空飛行。如需更多關於使用視覺定位的資訊，請參考「視覺系統與紅外線感知系統」一節。
12. 確保 DJI GO 4 應用程式已運作以協助飛行。如在飛行時未執行 DJI GO 4 應用程式，在特定情況下（包括航拍機遺失），DJI 將無法向您提供售後支援或承擔相應責任。建議在 DJI GO 4 應用程式中開啟地圖矯正功能。

免責聲明與警告

本產品並非玩具，不適合未滿 18 歲的人士使用。請勿讓兒童碰觸航拍機；有兒童在場時，請務必特別小心注意。使用本產品之前，請仔細閱讀本文。本聲明收關產品使用安全性以及您的法律權益。

本產品是一款多旋翼航拍機，在電源正常運作且各零組件未損壞的情況下，可提供安全可靠飛行體驗。請前往 <http://www.dji.com> 取得最新說明和警告。DJI 保留更新本免責聲明的權利。最新的免責聲明，則以 www.dji.com 官網版本及您所接收到的郵件版本為準。

使用產品之前務必仔細閱讀本文，瞭解您的法律權益、責任和安全管理；否則，可能導致財產損失、安全事故和人身安全隱憂。使用本產品，即表示您據此表明已仔細詳讀本免責聲明，且您瞭解並同意受此處條款與條件之約束。使用者承諾對自己的行為及因此而產生的所有後果負責。使用者承諾僅基於正當目的使用本產品，並且同意本條款及 DJI 可能制定的任何相關政策或準則。您瞭解並同意，在無 DJI GO 4 應用程式飛行記錄的情況下，DJI 可能無法分析您的產品損壞或事故原因，並無法向您提供 DJI 售後服務。

在法律允許的最大範圍內，在任何情況下，對於任何間接性、後果性、懲罰性、偶然性、特殊性或刑罰性的損害，包括因您購買、使用或無法使用本產品而遭受的損失，DJI 均不承擔任何責任（即使 DJI 已獲知該等損失的可能性亦然）。

某些國家的法律可能會禁止免除擔保條款，因此您在不同國家的相關權利可能會有所不同。

在遵循法律法規的情況下，DJI 擁有對以上條款的最終解釋權。DJI 有權在不事先通知的情況下，對本條款進行更新、改版或終止。

在您開始之前

為了使您能更安全地使用本產品，DJI 為使用者提供以下文件資料：

1. 《組件清單》
2. 《免責聲明與安全指導方針》

3. 《智能飛行電池安全使用指南》
4. 《快速入門指南》
5. 《使用者手冊》

建議使用者首先按照《組件清單》核對文件資料、物品是否齊全。然後詳細閱讀本文，再觀看教學影片、使用《快速入門指南》瞭解使用過程，飛行前務必仔細閱讀《智能飛行電池安全使用指南》和《使用者手冊》。請確保您在使用本產品前，已熟悉本產品各零組件的功能，並且瞭解飛行限制相關資訊、緊急返航的過程及與飛行有關的當地法律及相關政策。如果您在使用本產品時有任何疑問，請聯絡 DJI 或 DJI 的授權經銷商。

零組件使用須知

原廠配件

⚠️ 警告

為避免可能的傷害和損失，務必遵守以下各項規定：

1. 使用原廠配件或經過 DJI 認證的配件。使用非原廠配件有使用危險及航拍機的使用安全。
2. 確定航拍機及各零組件內部沒有任何異物（例如：水、油、沙、土等）。
3. 確保航拍機及其各零組件，包含但不限於遙控器、指南針、動力系統及電池皆運作正常。
4. 切勿自行改裝航拍機及其相關零組件，否則可能影響航拍機性能，甚至引發飛行事故。

遙控器

⚠️ 注意

1. 每次飛行前，確定遙控器電池已充滿電。
2. 遙控器閒置 5 分鐘後將發出警告，閒置超過 6 分鐘將自動關機。撥動搖桿可讓遙控器恢復至正常運作狀態。
3. 使用遙控器上的行動裝置支架時務必壓緊，以免行動裝置滑落。
4. 確定遙控器的行動裝置支架安裝牢固。
5. 確定遙控器天線已展開並調整到合適位置，以取得最佳通訊效果。
6. 遙控器天線如有損壞將影響使用性能，請及時送修。
7. 如要更換遙控器，需要重新配對才能使用。如需具體配對步驟，請參閱使用者手冊。
8. 確保每次都是先關閉航拍機電源，再關閉遙控器。
9. 請確保每隔三個月對遙控器進行完全充電一次。

指南針

⚠️ 小心

為避免可能的傷害和損失，務必遵守以下各項規定：

在飛行過程中，一旦出現明顯的漂移情況（例如航拍機無法直線飛行），請立即降落。

⚠️ 注意

請依照 DJI GO 4 應用程式或航拍機狀態指示燈的提示，進行指南針校準。校準注意事項如下所示：

1. 請勿在磁場強烈的區域或具有磁性的大型金屬物體附近進行校準，例如磁鐵、停車場、帶有地下鋼筋的建築區域等。
2. 進行校準時，身上請勿放有強磁性物體，例如手機等。
3. 指南針校準成功後，將航拍機放回地面時，如果受到磁場干擾，DJI GO 4 應用程式會顯示處理方法，請按照所顯示的方法進行對應操作。

動力系統

⚠️ 警告

高速旋轉的螺旋槳和馬達可能造成人員受傷和損失，因此請務必遵守以下各項規定：

螺旋槳

1. 每次飛行前，請務必檢查各螺旋槳狀況是否完好。如有老化、破損或變形情況，請予以更換，然後再起飛。
2. 確定在航拍機電源保持關閉狀態下，才對螺旋槳進行操作。
3. 由於葉葉較薄，安裝時請小心操作，以防意外劃傷。
4. 必要時，請使用輔助工具以安裝及拆卸螺旋槳。
5. 在每次飛行前，請檢查螺旋槳是否安裝正確和緊固。
6. 請勿靠近旋轉中的螺旋槳和馬達（例如用手去接正在降落的航拍機），以免割傷。
7. 請務必使用 DJI 原廠螺旋槳。
8. 當航拍機在 0°C 左右的溫度下進行飛行時，請事先使用乾布擦拭葉葉，以免葉葉在飛行過程中結霜。

馬達

1. 確定馬達安裝牢固並能自由旋轉。
2. 請勿自行改裝馬達的物理結構。
3. 馬達停止轉動後，請勿立刻用手直接接觸馬達，否則可能燙傷。

小心

為避免可能的傷害和損失，務必遵守以下各項規定：

1. 請勿遮蔽馬達通風孔。
2. 請勿遮蔽航拍機殼體上的通風孔。

注意

馬達

1. 確定馬達內無異物。
2. 若馬達無法自由轉動，請立刻執行「綜合控制桿指令」，以停止馬達轉動。

電調

確保航拍機電源開啟後，電調有發出提示音。

DJI GO 4 應用程式

注意

1. 使用 DJI GO 4 應用程式前，請確保行動裝置電源充足。建議使用平板電腦，以獲得最佳體驗。
2. 使用 DJI GO 4 應用程式需要使用行動數據，請聯絡您的行動裝置數據供應商，以取得最新的數據流量資費標準。
3. 當您在手機上使用 DJI GO 4 應用程式時，請將注意力集中在操控航拍機上，請勿在飛行過程中接聽來電。
4. 使用 DJI GO 4 應用程式期間，請仔細閱讀所有彈出的安全提示、警告資訊及免責聲明。務必瞭解相關的當地法律規定。您將對所有違反當地法律規定的飛行行為負責。
 - a. 閱讀並瞭解在使用自動起飛和降落時彈出的警告資訊。
 - b. 閱讀並理解在重返返航點時彈出的警告資訊。
 - c. 閱讀並瞭解在設定超過高度限定範圍時彈出的警告資訊及免責聲明。
 - d. 閱讀並瞭解在切換飛行模式時彈出的警告資訊及免責聲明。
5. 當 DJI GO 4 應用程式提示使用者需讓航拍機降落時，務必及時將航拍機降落至安全地點。
6. 每次飛行前，務必根據 DJI GO 4 應用程式提供的飛行前檢查表進行各項檢查。
7. 如果您從未操作過類似的航拍機，我們建議您使用 DJI GO 4 應用程式中的模擬器，先行練習操控技巧。
8. 所用地圖需至網際網路下載。使用该功能前，建議將行動設備連接至網際網路以快地取地圖資料。
9. DJI GO 4 應用程式式主要用于輔助操作，切勿完全依賴應用程式，同時請開啟裝置聲音。
10. 使用 DJI GO 4 應用程式前，您必須同意 DJI GO 4 應用程式的使用條款及 DJI 隱私政策。該使用條款及隱私政策對於 DJI 的部分法律責任沒有限制，請於應用程式內詳閱其內容。

韌體

警告

為避免可能的傷害和損失，務必遵守以下各項規定：在升級韌體、校準系統及設定參數時，務必讓航拍機遠離人群或動物。

注意

1. 務必將韌體更新至最新版本，以確保飛行安全。
2. 當 DJI GO 4 應用程式偵測到有新韌體版本時，將會顯示提示資訊，使用者應閱讀並瞭解提示資訊的全部內容。使用者瞭解並同意，若選擇不升級韌體，DJI 將保留此次操作的資訊，並將選擇結果上傳並存放於 DJI 指定的伺服器上。
3. 升級航拍機後，務必將遙控器也升級到最新韌體。
4. 韌體升級完成後，遙控器有可能與航拍機中斷連結。升級完成後需要重新配對。
5. 升級韌體前，請確定已取下螺旋槳。

相機（選配）

警告

為避免可能的傷害和損失，務必遵守以下各項規定：確保未遮擋相機的散熱孔，否則高溫可能導致相機損壞，甚至燙傷您或他人。

注意

1. 在使用相機拍攝前檢查相機參數設置，確保參數正確。
2. 在使用本裝置拍攝重要影像時，請在實際拍攝之前進行數次測試拍攝，以確保裝置處於正常的工作狀態。
3. 先關閉航拍機電源，再插入機身的 microSD 卡。
4. 必須開啟智能飛行電池，才能複製相片或者影片。
5. 請正確關閉航拍機電池，否則將無法保存相機參數，並且會損壞正在錄製的影片。
6. DJI 對無法擷取影片和相片所造成的損失不承擔任何責任，例如 SD 卡損壞、SD 卡內素材遺失。

雲台（選配）

注意

1. 雲台含有精密零組件，若受到碰撞或損傷，精密零組件會損壞，可能會導致雲台性能下降。請愛護相機雲台，避免遭受物理損傷。
2. 雲台工作時切勿對其施加外力。
3. 請勿在相機雲台上增加任何物體，否則可能會影響雲台性能，甚至燒毀馬達。
4. 雲台與航拍機之間的連接件和減震器屬易損零組件，請務必小心使用。
5. 在移除及安裝相機雲台時，請務必用手握住相機雲台。
6. 請勿在電源開啟時安裝及拆卸雲台相機。
7. 雙雲台和上雲台系統需分開使用，請勿同時使用。
8. 當使用雙雲台或上雲台系統時，請按照《使用者手冊》裡的說明將雲台相機安裝到合適的雲台上。安裝錯誤將無影像傳輸訊號。

產品保養

存放與運輸

警告

為避免可能的傷害和損失，務必遵守以下各項規定：線材和小型零件可能會對兒童構成危險，因此務必讓兒童遠離航拍機的零組件。

注意

1. 請將智能飛行電池存放於乾燥通風處，並減少陽光直射，以免電池過熱。如需存放超過三個月，則建議的存放溫度範圍為 22°C 至 30°C。切勿將電池存放在低於零下 20°C 或高於 45°C 的場所。

- 切勿讓相機接觸到液體或浸入水中。若相機浸入水中，請及時用鬆軟乾布擦拭。切勿在航拍機落水後立刻開啟電源，否則將會對航拍機造成永久損壞。切勿使用含酒精等易揮發成分的液體清潔相機鏡頭。切勿將相機存放於潮濕的場所。
- 若需要長期存放或長途運輸相機，請將相機從航拍機上卸下。
- 切勿使用不符合 USB 2.0 規格的數據連接線。

維護

注意

- 檢查航拍機的各個零組件是否有受到強烈撞擊的跡象。如有疑問，請聯絡 DJI 技術支援人員或 DJI 授權代理商。
- 將電量保持在 40% 到 65% 之間，電池可存放三個月。請每 3 個月左右重新充放電一次，以保持電池活性。
- 對於 Matrice 航拍機的使用者，建議每飛行 50 小時，即對航拍機進行一次保養。請參考對應的保養手冊中具體的保養內容。

飛行環境要求

天候與環境要求

警告

請在天氣情況及環境條件良好的情況下飛行。為避免可能的傷害和損失，務必遵守以下各項規定：

- 請勿在惡劣天候狀況下飛行，例如強風（風速五級（含）以上）、下雪、下雨、起霧等天氣。
- 飛行時，請讓航拍機保持在視線範圍內，並隨時與障礙物、人群、水面等物體保持至少 10 公尺以上的距離。
- 在室內操作航拍機時，應格外小心。由於 GPS 系統、視覺系統及紅外感知系統在室內可能無法正常運作，航拍機的飛行穩定將會受到較大影響，可能危及人身或財產安全。
- 在室內飛行時，應確保視覺系統已經開啟並正常運作。請注意，由於視覺系統容易受到光照強度及物體表面紋理情況的影響，因此在水面或紋理重複度很高的物體表面等情況下操作時，請謹慎使用視覺系統。

注意

- 智能飛行電池的性能會受到空氣密度及環境溫度的影響。
 - 不建議在攝氏 -20 度以下或攝氏 45 度以上的環境下使用航拍機。
- 在遭遇火災、爆炸、雷擊、暴風、龍捲風、暴雨、洪水、地震、沙塵等災害時，不得使用航拍機。

無線通訊需求

注意

- 檢查航拍機的各個零組件是否有受到強烈撞擊的跡象。如有疑問，請聯絡 DJI 技術支援人員或 DJI 授權代理商。
- 務必在關閉空曠處操控航拍機。高大的鋼筋建築物、山體、岩石、樹林可能對航拍機的指南針和 GPS 訊號造成干擾。
- 為防止遙控器與其他無線裝置相互干擾，請務必在關閉其他無線裝置之後，再使用航拍機遙控器。
- 在電磁干擾源附近飛行時請務必保持謹慎，建議使用 M210-RTK。電磁干擾源包括但不限於：高壓電線、高壓輸電站、行動電話基地台和電視廣播訊號塔。在上述場所飛行時，航拍機的無線傳輸性能可能會受到干擾影響，若干擾源過大，航拍機將無法正常飛行。

安全飛行

警告

為避免可能的傷害和損失，務必遵守以下各項規定：

- 使用者不得在飲酒、吸毒、藥物麻醉、頭暈、四肢無力、噁心等其他身體狀況不佳或精神不濟的情況下操作本產品。
- 除非發生特殊情況（例如航拍機可能撞向人群），否則在飛

行途中禁止同時向內撥動左搖桿並按下返航按鈕（需要於 DJI GO 4 應用程式中開啟該功能）。

- 降落後，務必先關閉航拍機電源，再關閉遙控器電源。
- 禁止使用本產品向建築物、人群或動物投放或發射任何危險物品。
- 使用者必須立即停止使用發生事故（例如碰撞或傾覆等）或飛行狀態異常的航拍機。在由 DJI 或其推薦的維修中心進行維修前，使用者不得繼續使用該航拍機。

注意

- 使用者應確保自己對航拍機已有充分瞭解，並清楚知道所有的緊急返航措施。
- 每次飛行前，使用者應準備好飛行計畫。嚴禁漫無目的、即興、隨意亂飛。
- 在使用本產品的相機拍攝前，請務必尊重他人隱私權。確定在使用航拍機的相機前，使用者已清楚並瞭解當地有關隱私的法律規定。
- 禁止使用本產品進行任何違法及不當行為（包括但不限於間諜、軍事行動及非法調查工作）。
- 禁止使用本產品進行任何違反他人隱私權的行為。
- 禁止使用本產品侵入他人私有土地。

飛行模式和警告

飛行模式

警告

為避免可能的傷害和損失，務必遵守以下各項規定：

務必在您熟悉航拍機的特性和各種飛行模式之後，才能從 P 模式切換到 A 模式或 S 模式。不使用 GPS 可能導致航拍機無法安全降落。

注意

畫可能使用 P 模式飛行。無法使用 P 模式時，使用者可切換至 A 模式，但 P 模式提供的某些功能將無法於 A 模式下使用。有鑑於此，使用 A 模式時請格外小心。在室內飛行時，航拍機將無法在紋理重複度很高的物體表面上空精確懸停。如需更多關於使用視覺定位的資訊，請參考「視覺系統與紅外線感知系統」一節。

- P 模式（定位）：**使用 GPS 模組和視覺系統以執行精確懸停、指點飛行、智慧跟隨與高級模式等功能。航拍機的感受值被適當調低。
- S 模式（運動）：**使用 GPS 模組和視覺系統以實現精確懸停。在此模式下，航拍機的感受值將適當調高，最大飛行速度將會提升。請特別注意，S 模式下的航拍機無法主動剎車和避障障礙物。請預留至少 50 公尺的剎車距離以保障飛行安全。
- A 模式（姿態）：**不使用 GPS 模組與視覺系統進行定位，僅提供姿態增強功能。若 GPS 衛星訊號良好，即可執行返航，否則無法執行這項功能。

如需在不同的飛行模式之間進行切換，則使用者必須接受應用程式彈出的免責聲明，以確認該選擇。DJI GO 4 應用程式會對使用者的選擇進行記錄。

故障安全返航

注意

- 在 GPS 訊號欠佳（GPS 訊號強度低於三格）的情況下，無法使用「故障安全返航」功能。
- 長按智能返航按鈕以啟動智能返航後，航拍機將會飛回至最近一次記錄的返航點。請勿採用關閉遙控器電源的方式強制啟動返航功能。
- 若返航路線上存在高大建築物，這會對航拍機返航安全造成影響，因此在使用故障安全與返航功能前，需要預先設定合理的返航高度。在返航過程中，當航拍機上升至 20 公尺以

上，但未達到預設的返航高度前，若使用者推動油門桿，航拍機會停止上升並從目前高度返航。

- 務必在遙控器通訊範圍內操控航拍機。
- 返航功能會受到天氣、環境及地磁等因素影響。
- 在故障安全返航過程中，若光照條件欠佳（光照小於 15 lux 或者光照大於 10,000 lux）時，航拍機將無法自主避開障礙物。切勿依賴視覺系統。請持續監控航拍機，建議使用者在必要時操控遙控器以避開障礙物，或短按遙控器的智能返航按鈕以取消返航。
- 故障安全返航時，若電量允許，航拍機將首先返回至無線訊號中斷前的位置點，再直線返回最近記錄的返航點。因此，啟動故障安全返航之後，航拍機有可能往返航點的反方向飛行。

低電量

注意

- 系統發出嚴重低電量警告後，航拍機將自行下降。此時，使用者仍可以上推油門以提升飛行高度並控制航拍機航向，使之飛行至合適場所再降落。
- 當發出低電量警告時，務必讓航拍機降落在安全地點，以防止失去動力後對航拍機、他人及動物造成危險。

D-RTK（適用於 M210-RTK）

注意

- 使用原廠配件或經過 DJI 認證的配件。使用非原廠配件可能造成系統故障或造成危險。
- 請在不受無線電干擾的開闊環境中使用 D-RTK™。使用過程中切勿遮擋 D-RTK 天線，並保持 D-RTK 航空系統的天線高度一致。
- 請勿過度彎曲和折疊 D-RTK 天線纜線。
- 請勿使任何異物進入 D-RTK，包括但不限於液體、油、沙土等。

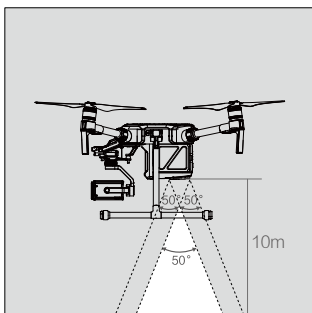
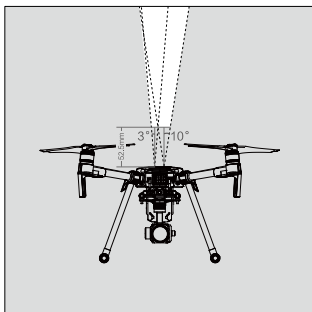
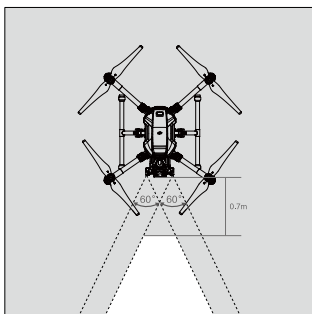
視覺系統與紅外線感知系統

注意

- 視覺系統無法在沒有紋理特徵的表面上正常運作，使用視覺系統時，航拍機最高的飛行高度為 10 公尺。在 0.3 公尺以下高度快速飛行時，視覺系統可能無法正常運作。
- 視覺系統在水面上可能無法正常運作。因此，當觸發降落功能時，航拍機可能無法主動避開下方水域。建議使用者全程控制飛行狀況，並根據周圍環境做出合理判斷，切勿過度依賴視覺系統。
- 視覺系統會發出人耳無法識別的超聲波，且超聲波可能引起動物不安，因此使用時請遠離動物。
- 在下列情況下，視覺系統無法正常運作：
 - 純色表面（例如純黑、純白、純紅、純綠）。
 - 有強烈反光或者倒影的表面。
 - 航拍機速度不宜過快，如離地 1 公尺處時飛行速度不可超過 5 公尺 / 秒，離地 2 公尺不可超過 14 公尺 / 秒。
 - 水面或者透明物體表面。
 - 運動物體表面（例如人流上方、大風吹動的灌木或者草叢上方）。
 - 光照劇烈快速變化的場景。
 - 在特別暗（光照小於 15 lux）或者特別亮（光照大於 10,000 lux）的物體表面。
 - 對超聲波有很強吸收作用的材質表面（例如很厚的地毯）。
 - 紋理特別稀疏的表面。
 - 紋理重複度很高的物體表面（例如顏色相同的小格子磚）。
 - 傾斜度超過 30 度的物體表面（不能收到超聲波回波）。
 - 細小的障礙物（紅外反射能量較少）。
- 在遙控器與航拍機斷開的情況下，若此時 GPS 訊號較差，且航拍機失去對返航位置的判斷，但視覺系統可正常運作，

則航拍機將懸停 8 秒後自動降落。

- 如果航拍機受到強烈碰撞，則有可能需要重新校準視覺系統。詳情請參照使用者手冊。
- 請注意視覺系統與紅外線感知系統的盲區（灰色）。航拍機無法主動避開盲區內的障礙物。



下視視覺系統僅用來進行定位。

- 請勿以任何方式干擾視覺系統及紅外線感知系統（在航拍機附近開啟其他 40 KHz 超聲波裝置將會干擾視覺系統），並確保感測器鏡頭清晰無污點。
- 在航拍機姿態角大於 25 度，或飛行速度高於每小時 14 公尺的情況下，主動制動功能無法正常運作。

指點飛行

小心

為避免可能的傷害和損失，務必遵守以下各項規定：

1. 請勿指示航拍機飛向人、動物、細小物體（如：樹枝或電線等）、或透明物體（如：玻璃或水等）。
2. 一律留意來自航拍機四周的物體，並透過手動操作來避免事故（例如碰撞）。
3. 隨時準備在緊急情況下撥動遙控器搖桿，以手動控制航拍機。請務必注意此時航拍機遠處於智能飛行模式狀態，如需完全退出智能飛行模式，請按下遙控器上方的停止按鈕，或點選螢幕上方的停止按鈕。

注意

1. 使用者選定的指點飛行方向，與航拍機實際飛行的方向可能存在誤差。
2. 使用者只能在螢幕上選擇有限的指點飛行範圍，在靠近操作介面的上部或下部邊界處點擊時，可能無法進行指點飛行。
3. 指點飛行模式在水面上或積雪覆蓋區域可能無法正常工作。
4. 在光照條件特別暗（光照小於 300 lux）或者特別亮（光照大於 10,000 lux）的情況下，本模式功能可能無法運作，請謹慎使用。

智慧跟隨

1. 請一律在航拍機的跟隨路徑上避開他人、動物、細小物體（如：樹枝或電線等）、或透明物體（如：玻璃或水等）。
2. 一律留意來自航拍機四周的物體，並透過手動操作來避免事故（例如碰撞）並避開障礙物。
3. 隨時準備在緊急情況下撥動遙控器搖桿，以手動控制航拍機。請務必注意此時航拍機遠處於智能飛行模式狀態，如需完全退出智能飛行模式，請按下遙控器上方的停止按鈕，或點選螢幕上方的停止按鈕。

注意

1. 在下列情況下視覺系統無法正常運作，因此不建議使用智慧跟隨模式：
 - a. 當被跟隨物體並非在水平的地面上移動時；
 - b. 當被跟隨物體在移動時產生大幅度形變；
 - c. 當被跟隨物體被長時間遮擋或位於視線外；
 - d. 當被跟隨物體位於積雪覆蓋的區域；
 - e. 在特別暗（光照小於 300 lux）或者特別亮（光照大於 10,000 lux）的時候；
 - f. 當被跟隨物體與周圍的環境顏色或圖案非常相近時。
2. 使用者在使用智慧跟隨模式時，請務必遵守當地的法律法規對隱私權的規定。

法律規範與禁航

法律規範

警告

為避免違法行為、可能的傷害和損失，務必遵守以下各項規定：

1. 請勿在飛機等民用航空器附近操作航拍機。必要時立即降落。
2. 禁止在人口密集地區使用航拍機。這些地區包括：市區、運動賽事、展覽、演唱會。
3. 確定航拍機飛行時，不會對航線上的大型飛機造成影響。隨時保持警覺並避開其他航拍機。

小心

為避免違法行為、可能的傷害和損失，務必遵守以下各項規定：

1. 禁止讓航拍機飛入法律法規規定的禁航區。禁航區可能包括：機場、邊境線以及主要城市。
2. 對於設有高度限制的區域，飛行禁止超過高度限制。
3. 確保航拍機在您的視線範圍內飛行，如有必要，可安排觀察員幫助您監控航拍機位置。

4. 禁止使用航拍機搭載任何違法危險物品。

注意

1. 確定您已清楚瞭解飛行活動的類別（例如娛樂、公務或商業用途）。在飛行前務必取得主管機關頒發的許可證。如有必要，可向當地主管機關諮詢飛行活動類別的詳細定義說明。請注意，在某些地區與國家禁止使用航拍機進行任何形式的商業行為。
2. 禁止在敏感建築設施（例如發電站、水力發電站、監獄、交通要道、政府大樓及軍事設施）附近使用航拍機。
3. 使用航拍機進行拍攝時，務必尊重他人隱私權。禁止使用本產品進行任何未經授權的監視活動，這些活動包括但不僅限於對他人、團體、活動、表演、展覽與不動產進行監視。
4. 請注意，在某些地區與國家，儘管不是出於商業目的，但是使用相機對他人、團體、活動、表演、展覽等進行錄影或拍照，也會侵犯版權、隱私權或他人的其他合法權益。在某些國家/地區，亦禁止小型航拍模型參與任何商業行為。因此，使用之前請仔細瞭解並遵循當地法律規定。

飛行限制

注意

DJI 一向強調飛行安全，為了達到此目的，DJI 提供了多種技術措施，協助使用者能夠在符合本地法律法規的情況下，安全使用航拍機。我們強烈建議使用者從 DJI 官網下載並安裝最新版本的韌體，以確保飛行限制功能可正常使用。飛行限制功能包括：

飛行限制區域

1. 飛行限制區域包括但不限於國際大型機場、兩國邊界及主要城市/區域等。
2. 使用者可以前往 <http://flysafe.dji.com/no-fly> 查詢關於飛行限制區域的清單。另請注意，該清單會隨時更新以順應當地法律規定。使用者可能還必須向航空交通管制、警察等政府部門確認，飛行地點是否屬於管制區，以確保飛行的合法性。
3. 某些飛行限制區域是由多個子區域組成。每個子區域有各自的區域半徑。航拍機在最靠近機場的禁航區內時，將無法起飛。當航拍機在禁航區外的限高區域飛行時，飛行高度將受到限制，限飛高度隨著靠近「禁航區」的距離呈線性遞減。另外，使用者將無法在禁航區內使用地面站功能。
4. 使用者無法將航點設定在飛行限制區域內。

高度限制

1. 建議將飛行高度控制在 120 公尺以下，飛行時航拍機應遠離任何高大建築物。
2. 若飛行高度需要超過預設的限定高度，使用者應先閱讀、瞭解並接受應用程式中彈出的免責聲明資訊，方可進行後續操作。使用者知道並瞭解，如果設定了新的飛行高度，則本次操作的選擇將會上傳至 DJI 指定的伺服器。

內容如有更新，恕不另行通知。

您可以在 DJI 官方網站查詢最新版本
www.dji.com/matrice-200-series

MATRICE 是大型創新的高標
 Copyright © 2017 大疆創新 版權所有

安全についての概要

1. 環境に関する考慮事項

- 必ず建物などの障害物がない場所で飛行させてください。
- 大勢の人が集まっている場所やその付近では飛行させないでください。
- 150m以上の高度*での飛行は避けてください。
- 気温-20～45°Cの穏やかな気象条件で飛行させてください。
- 屋内を飛行させる場合は、機体の安定化機能が阻害されることがあるため特に注意してください。
- 風速が10m/sを越えるときは、飛行させないでください。

2. フライト前チェックリスト

- 送信機と機体のバッテリーが完全に充電されていることを確認します。
- プロペラの状態が良好で、しっかりと締め付けられているかを確認します。
- モーターに障害がないか確認します。
- カメラのレンズがきれいで、汚れがないか確認してください。
- コンパスのキャリブレーションはDJI GO™ 4アプリまたはステータスインジケータから促された場合にのみ実施してください。
- 安全性を確保するため、機体の部品に変更や改造を加えないでください。互換性のある外付け装置を装着する際は、DJIの公式説明書を厳守し、装着後の機体総重量が6.14kgを超えないようにしてください。外付け装置は、公式説明書の指示通り必ず正しい位置に搭載し、機体の重心がずれないようにしてください。

3. 動作

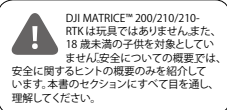
- 回転中のプロペラやモーターには近づかないでください。
- 常に、機体を目視できる範囲で操作してください。
- 左スティックを内角下方向に引きながらRTHボタンを3秒間押し続けて、飛行中にモーターを停止する機能は、デフォルトでは無効化されています。使用する場合は、DJI GO 4アプリ内でこの機能を有効にする必要があります。この機能は緊急事態にのみご使用ください。
- 飛行中は、電話に出たり、メール等に答えるなど、機体操作の妨げになるモバイルデバイスの機能を使用しないでください。
- 飲酒または服薬時には、飛行させないでください。
- 水や雪などの反射面のすぐ上は、ビジョンシステムの性能が影響を受けることがあるため、飛行しないでください。
- バッテリー不足の警告が表示された場合には、安全な場所に着陸させてください。
- Return-to-Home プロセス実行中は、飛行高度を調整して、障害物を避けることができます。
- 着陸後、まずモーターを停止させ、次にインテリジェント・フライト・バッテリーをオフにし、その後送信機をオフにしてください。
- TapFly™ (タップフライ) 機能や ActiveTrack™ (アクティブトラック) 機能を使用しているときは、いつでもスティックを押して機体を制御できるようにしておいてください。スティックを押した後も、機体は TapFly 機能や ActiveTrack 機能を実行し続けることに留意してください。このような実行中の機能を完全に無効にしたい場合は、送信機またはディスプレイ上の [STOP] ボタンを押してください。
- 本製品には先進技術が採用されていますが、飛行中は操縦者の適切な裁量が必要になります。障害物回避、正確な着陸、着陸保護など、安全やフライトの支援機能が操縦者の操作をアシストしますが、これに代わるものではありません。照明や障害物の質感など、環境的要因がビジョンシステムの性能に影響を及ぼすことがあります。
- DJI GO 4 アプリで、Return-to-Home 高度を、周辺の障害物より高い高度に設定してください。
- 着陸保護 (地上 2m 地点で、地面が着陸に適しているかを検知) 機能は、最適な操作の補助に用いられます。ビジョンシステムは特定の状況下 (照明状態が悪かったり、障害物の表面模様が不明瞭な場合など) では補助しないこと、地表面検知がうまくいかないことがあるので、機体制御中は常に気を配ってください。

4. メンテナンスと保管

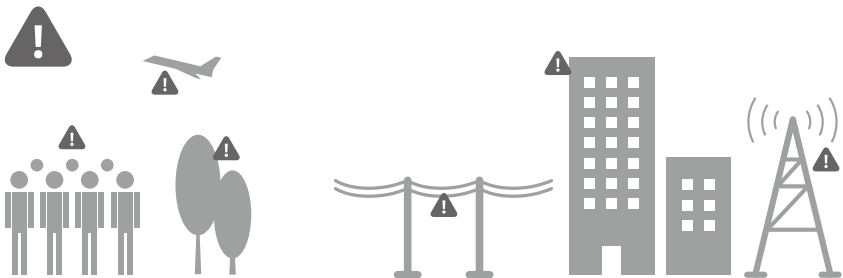
- 古くなったり、欠けたり、損傷したプロペラは使用しないでください。
- 推奨保管環境温度: 22～30°C
- バッテリーの安全な使用に関する詳細情報については、インテリジェントフライト・バッテリー安全ガイドラインを参照してください。

5. 現地法および規制の順守

- 飛行禁止区域では飛行させないでください。飛行禁止区域に関する情報は、<http://flysafe.dji.com/> でご覧いただけます。飛行禁止区域の完全リストについては、地元航空当局にお問い合わせください。
- 高度制限は管轄区によって異なります。現地法および規制が定める最大高度を越えて飛行させてはいけません。
- 救助隊などが航空機を使って活動中の空域では、飛行させないでください。



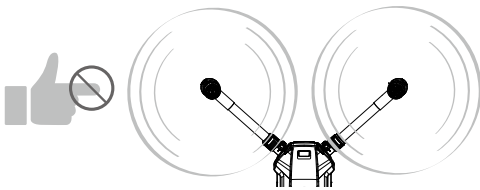
* 高度制限は管轄区によって異なります。現地法および規制が定める最大高度を越えて飛行させてはいけません。



人混み、樹木、空港の近くや上空を飛行しないでください。
電線、基地局、高層ビルなど、強い電磁波の発生源により、機体搭載のコンパス性能が影響を受けることがあります。Matrice 210-RTKの使用をお勧めします。飛行中は常に周囲の状況に気を配ってください。



雨、雪、霧、風速 10m/s 超などの悪天候時に機体を使用しないでください。



回転中のプロペラやモーターから離れてください。



詳細については、以下をご覧ください。
<http://www.dji.com/jp/flysafe/no-fly>

注記

手順書および付属書はすべて、SZ DJI TECHNOLOGY CO., LTD(「DJI」)独自の裁量で変更されることがあります。最新の製品情報については、<http://www.dji.com> にアクセスして、製品ページをご覧ください。

用語集

本書では、以下の用語で製品操作時に起こりうる危険のレベルを示しています。

[注記] 注記：手順を正しく実行しない、物的損害が発生する可能性があります。負傷の可能性は全くないか、あってもごく軽微です。

[注意] 注意：手順を正しく実行しないと、物的損害が発生するとともに、重傷を負うおそれがあります。

[△重要] 警告：手順を正しく実行しないと、物的損害、巻き添え事故、および人的な重度の負傷の可能性が生じるか、または重度の負傷を負う可能性がより高まります。



警告

ユーザーマニュアル全文をよく読んで、機体に習熟してから、本製品を操作してください。本製品をユーザーマニュアルの指示に従って操作しないで、本製品や個人の財産の損害や重傷を引き起こすおそれがあります。本製品は高度な機能を備えています。慎重かつ良識を持った操作とともに、基本的な機械知識が求められます。本製品を安全かつ責任を持って操作しないと、傷害や本製品またはその他の財産の損害を招くおそれがあります。本製品は子供の使用を想定していません。互換性のない部品を使用しないでください。また、SZ DJI TECHNOLOGY CO., LTD が提供する関連資料に記載されていない方法で本製品を改造しないでください。本安全ガイドラインには、安全、操作、メンテナンスの手順を記載しています。本製品を安全に操作し、損害や重傷を避けるためには、組み立て、設定、使用を開始する前に、本ユーザーマニュアルに記載する手順と警告をすべて読み、これに従うことが重要です。

推奨年齢：18歳未満は対象外です。これは玩具ではありません。

フライト前チェックリスト

- 純正部品のみを使用しており、すべての部品が新品同様の状態であること。
- 送信機、インテリジェントフライト/バッテリー、およびモバイルデバイスが完全に充電されているか確認すること。
- 電源をオンにする前に、カメラレンズに異物が付着しておらず、マイクロSDカードが機体に挿入されていて、ジンバルが自由に回転するか確認すること。
- プロペラおよび取り付けブラケットがモーターにしっかりと取り付けられて、モーターが正常に始動して機体を確認すること。
- 画面に表示される指示に従って、コンパスキャリブレーションをすること。
- DJI GO 4 アプリと機体のファームウェアが最新バージョンにアップデートされていること。
- 飛行エリアが飛行禁止区域外にあり、飛行条件が機体を飛行させるのに適していること。
- 飲酒時、服薬時など、認知能力が損なわれる可能性のある状態では、飛行を行わない。
- 選択したフライトモードに習熟し、すべての安全機能と警告を理解している。
- 現地規制をすべて順守し、認可を適切に取得し、リスクを理解している。確認事項：適用される全規制の順守は、ユーザーの責任となります。
- 操縦者は機体を常に視野内(目視)に捉えること。一人称視点のカメラだけに頼って機体を操作しないこと。
- DJI GO 4 アプリが、機体の操作をアシストできるように適切に起動していることを確認すること。DJI GO 4 アプリによって記録されたフライトデータがない場合、機体の紛失など特定の状況下では、DJI™ はアフターセールスサポートを提供したり、責任を負うことができない場合があります。

免責事項および警告

本製品は玩具ではなく、18歳未満の方の利用は前提としていません。機体は子供の手の届かない場所に保管してください。また、子供がいるところで機体を作動させる場合は十分に注意してください。

製品には先進技術が採用されていますが、製品の不適切な使用により、けがや物的損害を引き起こすおそれがあります。製品を使用する前に、製品に関連する資料をお読みください。これらの文書は製品パッケージに含まれていますが、オンラインの DJI 製品ページ (<http://www.dji.com>) でも入手できます。

本書では、ユーザーの安全と法的権利と責任に関する情報を取り扱っており、これを順守すること、この文書のすべての内容をよくお読み頂き、確実に適切な設定ができるようにしてください。本書の手順と警告を正しく理解して実行しない場合、本製品の損失、ユーザーの重傷、機体の損傷を招くおそれがあります。

本製品を使用すると、本書の免責事項および読み、記載される条件を理解し、これを順守することに同意したとみなされます。DJI アフターセールス・サービス・ポリシー (<http://www.dji.com/service/policy>) に掲載)に明示的な規定がない限り、製品およびすべての資料、製品を通して得られるコンテンツは「現状のまま」および「提供されているまま」で提供され、明示、黙示を問わず、いかなる種類の保証も条件も伴いません。明示、黙示を問わず、DJI アフターセールス・サービス・ポリシーに明示的に規定がない限り、製品、製品アクセサリ、すべての資料に関するDJIは以下を含むいかなる種類の保証も一切行いません。(A) 商品性、特定の目的の適切性、権限、平和享有権、非侵害に対する黙示の保証、および (B) 取引の過程、使用、商習慣から生ずる保証。DJI 限定保証に明示的な規定がない限り製品、製品アクセサリや製品の一部、資料が、中断のないこと、安全で、エラー、ウイルス、その他有害なコンピュータがないことを DJI が保証しません。また、それらの問題の修正も保証しません。

本規約に明示的な規定がない限り、口頭であれ書面であれ、製品、製品アクセサリ、資料から得られる助言や情報により、DJI または製品に関する保証は発生しません。製品、製品アクセサリ、資料の使用またはアクセスに起因するあらゆる種類の保証に対するすべてのリスクは、すべてお客様が負うものとします。お客様の重量とリスクにおいて本製品を使用し、けが、死亡、お客様の財産への損害(本製品と接続して使用したコンピュータシステム、モバイルデバイス、DJI ハードウェアを含む)、第三者の財産への損害、本製品使用による、あるいは使用不能によるデータの損失に対して、お客様が単独で責任を負うことについてお客様は理解し、合意するものとします。

保証の免責を認めない司法管轄区もあり、司法管轄区によっては別の権利を有する場合もあります。

本製品の使用により直接または間接的に発生する損害(傷害)に対して、DJI は一切責任を負いません。ユーザーは、本安全ガイドラインの規定(ただしここに限定しない)をはじめとする、安全で合法的な使用を順守するものとします。

データの保管と使用方法

当社のモバイルアプリ、製品、その他のソフトウェアの使用で、フライトテレメトリデータ(速度、高度、バッテリー寿命、ジンバルとカメラに関する情報)と操作記録など、製品の使用と操作に関するデータは DJI に提供されることがあります。本製品の内蔵ストレージデバイスにも、フライトテレメトリデータなどの各種データを保存できます。内蔵ストレージデバイスから手動で情報を転送して、フライトテレメトリデータなどのデータを当社サーバーに保存することもできます。詳細については、DJI のプライバシーポリシー (<http://www.dji.com/policy>) に掲載)を参照してください。

使用を開始する前に

本製品は、以下のように正常に操作できる状態であれば、簡単に飛行させることができる機体です。最新の注意事項と警告については、<http://www.dji.com> をご覧ください。安全な飛行と法令順守の詳細については、<http://www.knowbeforeyoufly.jp> をご覧ください。機体を安全に操作し、活用いただくため、以下の資料をご用意しています。

同梱物
免責事項安全に関するガイドライン

同梱の資料に記載される部品をすべて確認して、フライト前に免責事項と安全ガイドラインを読んでください。次に、クイックスタートガイドと DJI 公式ウェブサイト (<http://www.dji.com>) でチュートリアルビデオをすべて視聴して、初フライトに備えてください。ご不明な点があれば、アプリまたは DJI 公式ウェブサイトのユーザーマニュアルで包括的な情報をご覧ください。フライト前に、各部の機能、フライトの必須条件、主な緊急警告機能/システム、政府所管官庁の規制をすべて十分に理解しておくようにしてください。本製品の組み立て、メンテナンス、使用で不明な点や問題がある場合は、DJI または DJI 正規販売店にお問い合わせください。

各部部品

純正部品と機能部品について

⚠ 警告

パーツの不具合、重傷、物的損害を避けるため、以下の規則を順守してください。

- 必ず DJI の純正部品または DJI が認定する部品をお使いください。非正規の部品や DJI 認定メーカー以外が製造した部品を使用すると、システムに不具合が発生し、安全性を損なうおそれがあります。
- 機体やパーツ内に異物(水、オイル、土、砂など)がないか確認します。
- 機体とコンポーネント(送信機、カメラ、ジンバル、コンパス、推進システム、バッテリーなど)がすべて問題なく作動し、損傷がなく、十分に機能するか確認します。パーツの機能を確実に維持する方法の詳細については、本書の他のセクションを参照してください。
- 機体およびそのパーツを変更、改造してはいけません。改造すると、不具合が生じたり、機体の機能や安全性に影響するおそれがあります。

送信機

📌 注記

- 送信機が完全に充電されているか、必ず確認してから、フライトしてください。
- 送信機の電源がオンの状態で 5 分間操作されないと、アラートが鳴ります。6 分経過すると、自動的に電源がオフになります。スティックを動かすか、他の操作をすると、アラートは止まります。
- モバイルデバイスをしっかりと支えられるよう、モバイルデバイス・ホルダーのクランプを調整します。
- モバイルデバイス・ホルダーが消えないよう、しっかりと固定されているか確認します。
- 送信機のアンテナを展開し、最適な伝送品質を維持できるよう、正しい位置に調整します。
- 送信機に損傷があれば、修理するか、交換します。送信機のアンテナに損傷があると、性能が大幅に低下します。
- 送信機またはレシーバを交換したり、新しい送信機を追加したりする場合には、リングが必要です。詳細については、ユーザーマニュアルを参照してください。
- (安全を確認後)必ず機体のスイッチを切ってから、送信機のスイッチを切ってください。そうしないと、機体の制御が失われるおそれがあります。
- バッテリーを良好な状態に保つために、少なくとも 3 ヶ月に 1 回はバッテリーを完全に充電してください。

コンパス

📌 注意

予想される重傷や物的損害を避けるため、以下の規則を順守してください。

機体がまっすぐに飛行できないなど、フライト中に明らかにドリフトが発生した場合には、すぐに着陸させてください。

📌 注記

コンパスのキャリブレーションは、DJI GO 4 アプリまたはステータスインジケータから促された場合に行ってください。コンパスのキャリ

ブレーションを実施する場合、次のルールを順守してください。

- 磁鉄鉱、駐車場ビル、補強鋼を使用した地下階層など、磁性干渉のある場所でコンパスのキャリブレーションを実施しないでください。
- キャリブレーション中には、携帯電話などの強磁性体を身に着けないでください。
- キャリブレーションの完了後にコンパスが強力な干渉を受けた場合、DJI GO 4 アプリはコンパスの問題点を解決するよう促します。表示される指示に従ってコンパスの問題点を解決してください。

推進システム

⚠ 警告

回転中のプロペラとモーターにより、操縦者や周囲の人が重傷を負わないよう、以下の規則を順守してください。

プロペラ

- 欠けたり、損傷したり、古くなったプロペラは使用しないでください。
- 必ず機体の電源をオフしてから、プロペラに触れてください。
- プロペラを取り付け、または取り外す際には、プロペラの鋭い先端に気をつけてください。プロペラに触れる際には、手袋を着用するなどの保護対策を講じてください。
- 必要な場合は、工具(レンチ、スクレュードライバ、ペンチなど)を使って、プロペラを取り外しまたは取り付けを行ってください。
- プロペラがモーターから脱落しないように、しっかりと取り付けられていることを確認してください。
- プロペラを取り付けた状態で付近に他人や動物がいる場合には、モーターの電源をオンにしないでください。
- サードパーティのプロペラを使用すると、機体の空気力学的効果が損なわれるおそれがあります。より適切で安全なフライトサポートのために、DJI 純正プロペラのみを使用することをお勧めします。
- 周囲温度が过低の場合は、プロペラに霜が付くのを防ぐために、各フライト前にプロペラを拭いて乾燥させてください。

モーター

- モーターがしっかりと取り付けられ、スムーズに回転することを確認してください。
- モーターの構造を改造しないでください。
- フライト後、モーターが高温になっていることがあるため、モーターに触れたり、手や体が接触したりにしないでください。

📌 注意

予想される重傷や物的損害を避けるため、以下の規則を順守してください。

- モーターの通気孔を塞がないでください。
- 機体のフレームアームにある通気孔は塞がないでください。

📌 注記

モーター

- モーターにはほりが付かないようにしてください。
- モーターが動かず、自由に回転しない場合は、ESC (コンベネーション・スティック・コマンド) を実行して、モーターを緊急停止します。

ESC

ESC の電源をオンにして、異常音がないことを確認してください。

DJI GO 4 アプリ

📌 注記

- アプリを起動する前に、タブレットやモバイルデバイスを完全に充電しておいてください。
- DJI GO 4 アプリ使用の際は、携帯電話のデータ容量を使用します。データチャージについてはお使いの通信会社にお問い合わせください。
- 携帯電話をディスプレイとして使用している場合は、電話に着信があっても安全に飛行を続けられるようにしてください。フライト中は、着信があっても、決して出ないでください。
- 画面上に表示される安全性に関するヒント、警告メッセージ、および免責事項をよくお読みください。お使いの地域の関連規制を事前に確認しておいてください。ユーザーには、関連規制をすべて認識のうえ、これを順守して飛行する責任があります。

- 自動離陸機能と自動着陸機能を使用する場合は、あらかじめ警告メッセージを読んで理解してください。
 - ホームポイントを再設定する場合は、あらかじめ警告メッセージを読んで内容を理解してください。
 - 規制による上限よりも高い高度に設定する前に、警告メッセージと免責事項を読んで理解してください。
 - フライトモードを切り替える場合は、あらかじめ警告メッセージと免責事項を読んで理解してください。
- アプリにアラートが表示された場合は、機体をただちに安全な場所へ着陸させてください。
 - アプリに表示されるチェックリストで必ず警告メッセージをすべて確認してから、フライトしてください。
 - これまでに機体の操作をしたことがなかったり、機体を快適に操作するのに十分な経験がない場合は、アプリのシミュレーターを使って、フライトスキルを向上させてください。
 - インターネットに接続して、飛行地域の地図データをキャッシュしてから、フライトしてください。
 - このアプリは、操作をアシストするために設計されています。アプリに頼りすぎず、ご自身の裁量に基づいて機体を制御してください
 - アプリの使用は、DJI GO 4 アプリの利用規約と DJI プライバシーポリシーの対象となります。アプリでこれらをよくお読みください。

ファームウェア

⚠ 警告

子供や動物が重傷を負わないように、以下の規則を順守してください。ファームウェアのアップグレード、システムキャリブレーション、パラメータ設定の作業中は、安全確保のため、子供や動物を近づけないでください。

📌 注記

- 安全のために、ファームウェアのアップグレード通知が DJI GO 4 アプリに表示された場合は、必ず最新バージョンに更新してください。
- 新しいファームウェアがある場合は、ファームウェアをアップグレードするよう通知されます。表示される内容を読んで理解していただく必要があります。フライトテレメトリデータやユーザー選択アイコンをはじめとするデータ（ただしこれに限定しない）を、DJI が指定するサーバーにアップロードして、保存することも理解して、同意するものとします。
- 機体のファームウェアを更新した後は、必ず送信機のファームウェアを最新バージョンに更新してください。
- 更新後、送信機と機体とのリンクが切れる場合があります。その場合、送信機と機体を再リンクします。
- ファームウェアを更新する前に、接続をすべてチェックし、モーターからプロペラを取り外してください。

カメラ(別売品)

⚠ 警告

予想される重傷や物的損害を避けるため、以下の規則を順守してください。

カメラの通気孔をふさがないでください。熱が発生して、負傷したり、機器が損傷したりするおそれがあります。

📌 注記

- 使用前にカメラ設定を確認して、用途に合わせて調整できるか確認します。
- カメラをテストします。重要な写真やビデオを撮影する場合は、事前に何枚かテスト撮影をして、カメラが正常に動作するか確認してください。
- 電源がオンの場合は、機体から Micro SD カードを抜かないでください。
- インテリジェント・フライト・バッテリーの電源がオフの場合は、写真やビデオを機体から転送したりコピーできません。
- インテリジェント・フライト・バッテリーの電源は必ず正しい手順でオフにしてください。誤った手順で電源をオフにすると、カメラのパラメータが保存されず、録画されたビデオが損傷するおそれがあります。
- 理由の如何を問わず、機械が読み取れない方式で記録される、ま

たは記録された画像やビデオの不具合に対して、DJI は一切責任を負いません。

ジンバル(別売品)

📌 注記

- 衝突や衝撃によりジンバルの部品が損傷する可能性があり、それによりジンバルの機能が異常を示すことがあります。
- ジンバルの電源をオンした後は、ジンバルに負荷をかけないでください。
- ジンバルに負荷をかけると、ジンバルの機能異常やモーターが損傷するおそれがあります。
- ジンバルおよびジンバルコネクタは大変繊細な装置です。慎重に取り扱い、ジンバルコネクタには触れないようにしてください。わずかな損傷であっても正常に機能しなくなることがあります。
- ジンバルを着脱する際は、ジンバルを落さないようしっかりと持ってください。
- 機体の電源をオンにした状態でジンバルを着脱しないでください。
- 単一ジンバルとデュアルジンバルは別々に使用する必要があります。
- 上向き単一ジンバルと下向きデュアルジンバルを使用する場合は、ユーザーマニュアルの手順を厳守し、対応するジンバルカメラを正しく搭載してください。そうしないと画像転送がうまくいきません。

本製品の手入れ

保管と輸送

⚠ 警告

子供や動物が重傷を負わないように、以下の規則を順守してください。ケーブルやストラップなどの小さい部品を飲み込むと危険です。部品はすべて、子供や動物の手の届かない場所に保管してください。

📌 注記

- 内蔵の LiPo バッテリーが加熱しないように、インテリジェント・フライト・バッテリーと送信機は直射日光の当たらない、涼しくて乾燥した場所に保管してください。3ヵ月以上の期間にわたって保管する場合には、22 ~ 30°C の保管環境温度を推奨します。温度が -20 ~ 45°C の範囲を超える環境では保管しないでください。
- カメラは水などの液体に接触させたり、浸さないでください。カメラが濡れた場合には、柔らかく吸水性の高い布で拭き取ります。水に落ちた機体の電源をオンにすると、コンポーネントに回復不能な損傷が発生するおそれがあります。アルコール、ベンゼン、シンナーなどの可燃性物質を含有するものをカメラのクリーニングや保守に使用しないでください。湿気や埃の多い場所にカメラを保管しないでください。
- 長期間保管する場合や長距離運搬する場合は、ジンバルを機体から取り外してください。
- 本製品はバージョン 2.0 よりも古い USB インターフェイスに接続しないでください。本製品を「USB 電源」や類似の機器に接続しないでください。

メンテナンスと保管

📌 注記

- 墜落や激しい衝撃を受けた場合は、DJI 推奨のサービスセンターに連絡して製品の点検、修理を受けてください。損傷した機体を操作することは非常に危険であり、怪我や物的損害を引き起こすことがあります。
- バッテリーの残量が 40 ~ 65% の場合は、3ヵ月間保管することができます。バッテリーを良好な状態に保つために、少なくとも3ヵ月に1回はバッテリーを完全に放電/充電してください。
- フライトの安全性と信頼性を維持するために、50 時間のフライトごとに定期的に保守点検を行うことをお勧めします。

フライトの必須条件

気象条件と周辺環境

⚠ 警告

機体は穏やかな気象条件で正常に動作するように設計されています。

墜落、重傷、物的損害を回避するため、以下の規則を順守してください。

1. 悪天候時に機体を使用しないでください。厳しい気象条件とは、風速10m/s超、雪、雨、スモッグ、強風、靄、雷、竜巻やハリケーンなどです。
2. フライト時には、機体を障害物、人、動物、建造物、公共インフラ、樹木、水域から10m以上離してください。高度が上昇するに従って、障害物上部からの安全距離をより長く確保するようしてください。
3. 機体を屋内で操作する場合には、特に注意してください。機体の機体の一部、特に安定化機能が影響を受ける場合があります。
4. 屋内で飛行させる場合は、ビジョンシステムを必ずオンにしてください。機体が水上、はっきりした機体がない地表の上、または薄暗い環境で飛行するときは、ビジョンシステムが適切に機能しないことがあるので注意してください。

注記

1. 機体やバッテリーの性能は、空気密度や気温などの環境要因に左右されます。
 - a. 気温が-20～45°Cの範囲外の場合は機体进行操作しないでください。
2. 事故、火災、爆発、洪水、津波、雪崩、地滑り、地震、粉塵、砂嵐の環境下では、機体を使用しないでください。

通信との干渉

注記

1. 機体のどの部分も墜落したり、接触したりしていないことを確認します。何かあった場合には、DJI サポートまたは正規販売店にご連絡ください。
2. 障害物のない開けた場所で行ってください。高いビルや鉄骨の建物は、機体内に搭載するコンパスやGPS信号の精度に影響を及ぼすおそれがあります。
3. 送信機と他のワイヤレス機器との干渉を避けてください。モバイルデバイスのWi-Fiを必ずオフにしてください。
4. 磁性干渉や電波障害のある領域付近を飛行する場合は特に気を配ってください。そのような環境ではM210-RTKの使用をお勧めします。こうした地域には高電圧線、大規模送電局、モバイル基地局、放送塔などがありますが、これらに限定されません。磁性干渉や無線干渉のある地域で使用する、本製品の伝送品質の低下、送信機およびビデオ伝送のエラーが発生するおそれがあり、その場合、フライト方向と位置精度に影響することがあります。過度な干渉がある地域では、機体が異常な挙動をしたり、制御できなくなったりすることがあります。

責任ある機体操作

警告

- 重傷や物的損害を回避するため、以下の規則を順守してください。
1. 飲酒、服薬、麻酔などの影響はないか、めまい、疲労、吐き気などの症状がないか、あるいは身体的、精神的に、機体を安全に操作する能力があることを確認してください。
 2. 機体が飛行しているとき、左スティックを内角下方向に引きながら同時にRTHボタンを押すと、モーターが停止します。機体の着陸機能は作動しません。緊急事態でない限り、上述の組み合わせコマンドを実行しないでください。デフォルトではこの機能はオフになっています。DJI GO 4アプリを使用して、この組み合わせコマンドをオンにすることができます。
 3. 着陸したら、まず機体の電源をオフにし、次に送信機のスイッチをオフにしてください。
 4. 機体を落下、打ち上げ、発射したり、危険な積荷を積載したり、建物、人、動物に向けて操作しないでください。これにより、人的傷害や物的損害が生じるおそれがあります。
 5. 墜落したり、接触事故を起こしたことのある機体や、状態の良い機体を使用しないでください。

注記

1. 十分なトレーニングを受けて、事故に備えて、緊急時の対応策をすぐ認識しておいてください。
2. 飛行計画が策定されており、無謀な飛行でないことを確認してください。
3. カメラを使用するときは、他者のプライバシーを尊重してください。現地のプライバシー法規制と道徳的規準を必ず順守してください。

4. 一般的な個人使用以外の理由で本製品を使用しないでください。違法な目的や不適切な目的(スパイ行為、軍事作戦、不正捜査など)に使用しないでください。
5. 本製品を中傷、虐待、嫌がらせ、ストーキング行為、脅迫など、他人の法的権利(プライバシー権やパブリシティ権など)を侵害する行為に使用しないでください。
6. 他人の私有地に侵入しないでください。

フライトモード、機能と警告

フライトモード

警告

重傷や物的損害を回避するため、以下の規則を順守してください。各フライトモードでの機体の挙動を十分に習得していないかぎり、PモードからAモードまたはSモードに切り替えしないでください。GPSが無効になるため、安全に機体を着陸させられなくなるおそれがあります。

注記

ほとんどのフライトには、PモードまたはSモードが適しています。PモードやSモードを利用できない場合には、Aモードに切り替えることができます。Aモードでの飛行では一部の機能を利用できないため、十分に注意してください。屋内で飛行させる場合、パターンが明瞭でない地表の上空を飛行させることになるため、機体は高精度でホバリングできません。屋内での飛行基準については、「ビジョンシステムおよび赤外線センサーシステム」のセクションを参照してください。

1. Pモード(ポジションング): Pモードは、強いGPS信号受信時に最適に動作します。GPSおよびビジョンシステムを利用して、機体を自動的に安定させ、障害物の間を通り抜けたり、動く対象物を追跡したりできます。このモードでは、TapFly(タップフライ)やActiveTrack(アクティブトラック)などの高度な機能が有効になります。
2. Sモード(スポーツ): Sモードでは、Pモードとフライトコントローラー設定は全く同じですが、機体のゲイン調整が行われるため、機体の操縦性が高くなります。このモードでは、機体の最大速度が上がりやすくなります。
3. Aモード(姿勢): GPSやビジョンシステムを利用できない場合、機体の位置決めには気圧計のみを使用し、高度を制御します。GPS支援(Aモードなど)が無効なモードに切り替えようとすると、この機能を有効にするよう先負条件が表示され、これに同意する必要があります。この機能が有効になっている場合、フライトレトリヤや機能レコードなどのデータ(ただし、これに限定されない)をDJIが指定するサーバにアップロードして、保存できることを理解して、これに同意するものとします。

フェイルセーフとReturn-to-Home

注記

1. GPS信号が不十分な場合(GPS信号バーが3本未満)、またはGPSが有効でない場合は、Return-to-Homeが機能しません。Return-to-Homeボタンを起動するには、送信機をオフにするのではなく、送信機のRTH(Return-to-Home)ボタンを押します。
2. 高層ビルは、フェイルセーフ機能に悪影響を及ぼすことがあります。ホームに戻るまでに障害物を避けられるよう、機体の位置、高度および速度を調整してください。フェイルセーフ中、機体が高度20mを超えている場合にスロットルスティックを動かすと、機体は上昇を停止し、速やかにホームポイントに戻ります。
3. 常に送信機の伝送域内で機体进行操作してください。
4. フェイルセーフ機能とReturn-to-Home機能は、緊急時のみ使用してください。これらの機能は、気候や環境、周辺の磁気の影響を受けることがあります。
5. 照明状況が十分でない場合は、フェイルセーフRTH中では機体は障害物を回避できません。そのため、フライト前に適切なフェイルセーフ高度を設定しておくことが重要です。
7. フェイルセーフReturn-to-Home中、バッテリー残量に余裕がある場合は、機体はまず送信機との接続があった最後の位置に戻る場合があります。そのため、機体はいったん操縦者がいる地点から遠ざかることがあります。この場合は、送信機と接続があった最後の地点を経由してからホームポイントに戻るとします。

ローバッテリー

注記

1. 重大なバッテリーローレベル警告が起動して機体が自動的に降下する場合も、スロットルを押し上げて機体の高度を維持して、より適切な着陸地点へ機体を誘導することができます。
2. バッテリーに関する警告が発信された場合には、機体をホームポイントに速やかに戻すか、着陸させてください。そうしないと、フライト中に電池切れになり、機体の損傷、物的損害、動物や人への傷害が発生するおそれがあります。

D-RTK (M210-RTK 用)

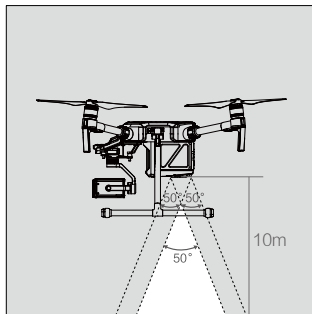
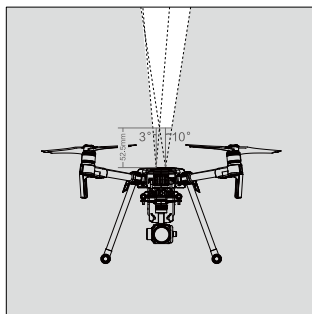
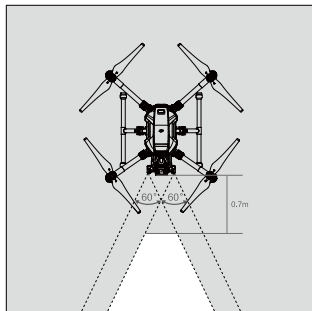
注記

1. DJI の純正部品または DJI が認定する部品のみお使いください。非正規の部品や DJI 認定メーカー以外が製造した部品を使用すると、システムに不具合が発生し、安全性を損なうおそれがあります。
2. 操縦は無線干渉のないオープンな環境で行ってください。アンテナは同じ高さに見つるようにし、使用時に双方が干渉しないようにしてください。
3. アンテナケーブルを過度に折り曲げたり、折たたんだりしないでください。
4. D-RTK™ およびその部品に異物(水、油、土、砂など)が付いていないことを確認してください。

ビジョンシステムおよび赤外線検知システム

注記

1. ビジョンシステムは、はっきりとしたパターンの変化がない地表の上空では適切に機能しません。ビジョンシステムは、機体が高度 0.3 ~ 10m にある場合にのみ有効です。
2. 機体が水面の上空を飛行している場合は、ビジョンシステムが適切に機能しないことがあります。
3. ビジョンシステムを有効にすると、超音波センサーから一部のベットのみに聞こえる高周波音が発生するため、ベットの機体に近づけないでください。
4. 以下のいずれかの状況では、機体を慎重に操作してください。
 - a. モノクロ(黒一色、白一色、赤一色、緑一色など)の地表の上空を飛行させる場合。
 - b. 反射率が高い地表面上を飛行させる場合。
 - c. 高速(高度 2m で 14m/s 以上、または高度 1m で 5m/s 以上)で飛行させる場合。
 - d. 水面または透明な地表の上空を飛行させる場合。
 - e. 動く面または物体の上空を飛行させる場合。
 - f. 照明が頻繁または急激に変化するエリアを飛行させる場合。
 - g. 非常に暗い(15 ルクス未満)地表や非常に明るい(10,000 ルクス超)地表の上空を飛行させる場合。
 - h. 音を吸収する(厚いカーペットなど)面の上空を飛行させる場合。
 - i. はっきりしたパターンや構造がない面の上空を飛行させる場合。
 - j. 同じパターンや構造が繰り返している(同じデザインのタイルなど)地表の上空を飛行させる場合。
 - k. 音を機体から偏向する斜面上の上空を飛行させる場合。
 - l. 微小な障害物(赤外線反射エネルギーが小さい)。
5. 送信機の信号が消失し、GPS 信号が弱い状況では、機体がホームポイントを検知できないう場合は、「P」モードならば、機体は 8 秒間ホバリングした後、自動着陸します。
6. 機体が墜落した場合は、ビジョンシステムのキャリブレーションが必要です。DJI GO 4 アプリから要求された場合は、ビジョンシステムをキャリブレーションしてください。
7. ビジョンシステムおよび赤外線センサーシステムの死角(グレー部分)に留意してください。



下方ビジョンシステムはポジショニングのためだけに使用されます。

8. ビジョンシステムが作動しているときは、他の超音波デバイスを周波数 40kHz 付近で使用しないでください。センサーは常にきれいな状態に保ってください。センサーを覆ったり、違ったりしないでください。
9. 機体速度が 14m/s を超える場合、ビジョンシステムおよび赤外線検知システムは、障害物から安全な距離をとって機体を減速、停止させることができません。

TapFly (タップフライ)

注意

傷害や物的損害を回避するため、以下のガイドラインを順守してください。

1. 人、動物、小さくて細い物体(木の枝や電線など)、透明な物体(ガラスや水など)に向かって飛行させないでください。
2. 周辺エリア(特に機体の後方、左右)に障害となってしまうものがないか十分に注意し、事故を防ぐために回避してください。
3. 緊急時にはいつでも送信機のスティックを押して機体を制御するか、あるいは送信機またはディスプレイの停止ボタンを押して TapFly を終了できるようにしておいてください。

注記

1. TapFly を選択すると、予定されるパスと実際のパスに違いがあることがあります。
2. 画面上で選択可能な範囲は限られています。画面の上下端付近では TapFly を選択することはできません。
3. 機体を水面や積雪エリアの上空を飛行させる場合は、TapFly モードが適切に機能しないことがあります。
4. 非常に暗い(300ルクス未満)環境や非常に明るい(10,000ルクス超)環境で飛行させる場合は、特に注意してください。

ActiveTrack(アクティブトラック)

重傷や物的損害を回避するため、以下のガイドラインを順守してください。

1. 目的のトラッキングパスに沿って、人、動物、小さくて細い物体(木の枝や電線など)、透明な物体(ガラスや水など)がないか確認します。
2. 周辺エリア(特に機体の後方、左右)に障害となってしまうものがないか十分に注意し、事故を防ぐために回避してください。
3. 緊急時にはいつでも、送信機のスティックを押して機体を制御するか、あるいは送信機またはディスプレイの停止ボタンを押して ActiveTrack を終了できるようにしておいてください。

注記

1. 以下のような状況で ActiveTrack を使用する場合は、特に注意してください。
 - a. トラッキング対象物の動きが水平面上でないとき。
 - b. トラッキング対象物が動きながら急激に形状を変えるとき。
 - c. トラッキング対象物が長時間隠れているか見えなしにあるとき。
 - d. トラッキング対象物が積雪エリアにあるとき。
 - e. 照明が非常に暗い(300ルクス未満)または非常に明るい(10,000ルクス超)。
 - f. トラッキング対象物が周囲の環境と似たような色やパターンであるとき。
2. ActiveTrack を使用する場合は、必ず現地のプライバシー法規を順守してください。

法令遵守と飛行禁止区域

規制

警告

重傷や物的損害を回避するため、以下の規則を順守してください。

1. 高度に関係なく、有人の航空機周辺で操作しないでください。必要であれば、速やかに着陸させてください。
2. 都市部、スポーツイベント、展示会、公演など、多くの人が集まる地域では飛行させないでください。
3. 認可を受けた高度を超えて飛行させないでください。有人の航空機の航路から十分な距離を保ち、運行を妨げないでください。常に他の航空機や障害物に注意して、回避してください。

注意

重傷や物的損害を回避するため、以下の規則を順守してください。

1. 現地法および規制に指定された飛行禁止区域内やその近くでは機体を飛行させないでください。飛行禁止区域の一覧は、空港、2つの主権国間の国境または地域間の境界、大都市/地域間の境界などが記載されており、常に更新されています。
2. 認可を受けた高度を超えて飛行させないでください。
3. 常に機体を視界内に捉え必要であれば立会者に支援を要請します。
4. 違法または危険な物品/貨物の運搬に機体を使用しないでください。

注記

1. 実施するフライトの内容/種類(レクリエーション、公共利用、商

業的使用など)を理解して、関係所管庁から飛行に関連する承認と認可を受けていることを確認してから、フライトしてください。包括的な定義と個別の要件については、現地の規制当局にお問い合わせください。米国で機体进行操作する場合、まず <http://www.knowbeforeyoufly.org/> にアクセスして、状況に適切な措置を講じてください。

2. 特定の国と地域では、リモート制御の航空機を使った商業活動を禁止している場合がありますので、ご注意ください。実際の規制が本書の記載と異なることがあるため、フライト前に適用される法規制や条約をすべて確認し、これに従ってください。
3. 発着場、水処理施設、矯正施設、交通量の多い道路、政府施設、軍事用ゾーンなど、慎重な対処が求められる基幹施設や敷地周辺を飛行しないでください。
4. カメラを使用するときは、他者のプライバシーを尊重してください。いかなる人物、団体、イベント、パフォーマンス、展示会、敷地においても、認可を受けないかぎり画像撮影やビデオ録画などの調査を実施しないでください。個人的目的で画像やビデオを撮影する場合でも、プライバシーに関わる場合には、同様の配慮が必要です。
5. 特定の地域では、イベント、パフォーマンス、展示会、商用の不動産物件の画像またはビデオをカメラで記録する場合に、たとえ個人使用の目的であっても、著作権またはその他の法的権利を侵害することがありますのでご注意ください。

飛行禁止区域

注記

DJI は飛行の安全を重視しており、ユーザーが現地規則と規制を順守して飛行できるようにさまざまな補助ツールを開発しています。当社は、ファームウェアを最新バージョンに更新して、以下の機能がすべて更新されていることを必ず確認してください。

飛行禁止区域

1. 飛行禁止区域には、世界各地の主要な空港、2つの主権国間の国境または地域間の境界、主要都市/地域間の境界線などがありますが、これに限定されません。
2. 飛行禁止区域のリストは、DJI 公式ウェブサイト <http://www.dji.com/flysafe/no-fly> に掲載されていますが、最新の規制要件に準じて、事前の予告なく定期的に更新されます。
3. 一部の飛行禁止区域は、複数のゾーンで構成されています。各ゾーンは、さまざまな大きさの円で示されます。機体は飛行禁止区域の最も内側のゾーンでは離陸が禁止されており、最も内側のゾーンの境界部に向かうほど、指定高度まで降下させます。飛行禁止区域内では、グランドステーション機能が無効になります。
4. 飛行禁止区域内では、ウェイポイントを設定できません。

高度制限

1. 高度 120m より上には飛行させないでください。また、周辺の障害物からは安全な距離を確保してください。現地法および規制により、法的な最大飛行高度は、もっと低い場合があります。適用される全法規を遵守してください。
2. デフォルトの高度制限を超えて飛行しようとする、新しい高度制限を有効にするよう無償条項が表示され、これに同意する必要があります。新しい高度制限が設定された際は、フライングテレメトリデータ、高度制限変更などのデータが DJI が指定するサーバーにアップロードされ、保存される場合があることを理解し、これに同意するものとします。

本内容は変更されることがあります。
最新版は下記よりダウンロードしてください。
www.dji.com/matrice-200-series

MATRICE は DJI の商標です。
Copyright © 2017 DJI All Rights Reserved.

안전 지침 요약

1. 환경적 고려 사항

- 항상 건물과 기타 장애물이 없는 장소에서 비행하십시오.
- 사람들이 많은 장소 주변 또는 위에서 비행하지 마십시오.
- 120m(400피트) 고도를 초과하여 비행하지 마십시오.*
- 온도가 -20°~45°C(-4°~113°F) 사이의 일반적인 날씨 조건에서 비행하십시오.
- 기체 안전화 기능이 방해받을 수 있으므로 실내에서 비행하는 동안에는 더욱 주의를 기울이십시오.
- 풍속이 10m/초(22mph)를 초과할 경우 비행하지 마십시오.

2. 비행 전 체크리스트

- 조종기 및 기체 배터리가 완전히 충전되었는지 확인하십시오.
- 항상 비행하기 전에 프로펠러가 양호한 상태이고 단단히 고정되었는지 확인하십시오.
- 모터 회전을 방해하는 요소가 없는지 확인하십시오.
- 카메라 렌즈가 깨끗한 상태이고 얼룩이 없는지 확인하십시오.
- DJI GO™ 4 앱 또는 상태 표시기에서 컴파스를 캘리브레이션하고 알리는 경우에만 컴파스를 캘리브레이션하십시오.
- 기체의 부품을 개조 또는 변경하면 안정성이 영향을 받을 수 있습니다. DJI의 공식 지침을 엄격히 준수하여 호환되는 외부 장비를 연결하고 연결 후 기체의 전체 중량이 6.14kg를 초과하지 않도록 하십시오. 외부 장비는 기체의 무게 중심이 바뀌지 않도록 공식 지침에 나와있는 올바른 위치에 장착해야 합니다.

3. 조작

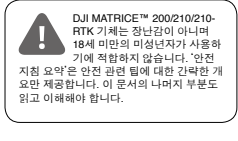
- 회전하는 프로펠러와 모터에서 멀리 떨어져 계십시오.
- 항상 기체를 시야에서 놓치지 말고 관찰하십시오.
- 왼쪽 스틱을 안쪽 아래 모서리로 당기면서 동시에 RTH 버튼을 3초 간 눌러 비행 중 모터를 중지시키는 기능은 기본적으로 비활성화되어 있습니다. 이 기능을 활성화하려면 DJI GO 4 앱을 사용해야 합니다. 이 기능은 긴급 상황에서만 활성화하십시오.
- 멀리 오는 전화를 받거나, 문자 메시지에 응답하거나 다른 모바일 기기 기능을 사용하면 등, 비행 중에 기체 조작을 방해할 수 있는 행동을 하지 마십시오. 술을 마시거나 약물을 복용한 상태에서는 비행하지 마십시오.
- 물 또는 눈과 같이 반사가 잘 되는 표면에 근접해서 비행하지 마십시오. 이런 지형은 비전 시스템의 성능에 영향을 줄 수 있습니다.
- 배터리 부족 경고가 표시되는 경우 기체를 즉시 안전한 장소에 착륙시키십시오.
- 리턴 투 홈 절차 중에 장애물을 피하기 위해 비행 고도를 조정할 수 있습니다.
- 착륙시킨 후에는 먼저 모터를 정지한 다음 인텔리전트 플라이트 배터리를 끄고 조종기를 끄십시오.
- TapFly™ 또는 ActiveTrack™ 기능을 사용할 때는 스틱을 밀어 기체를 조종할 수 있도록 준비하십시오. 스틱을 민 후에도 기체는 TapFly 또는 ActiveTrack 기능을 계속 수행합니다. 이러한 진행 중인 기능을 완전히 종료하려면 조종기 또는 화면에서 STOP 버튼을 누르십시오.
- 청단 기술을 사용하고 있기는 하지만 비행하는 동안 조종사의 적절한 상황 판단이 요구됩니다. 장애물 회피, 정확한 착륙 및 착륙 보호와 같은 안전 및 비행 지원 기능은 작동을 지원하기 위해 설계된 것이며, 조종을 대체해주는 것이 아닙니다. 조명과 장애물의 질감을 포함한 환경 조건은 비전 시스템 성능에 영향을 미칠 수 있습니다.
- DJI GO 4 앱에서 리턴 투 홈 고도를 주변 장애물보다 높게 설정하십시오.
- 착륙 보호(지면 위 20미터 고도에서 지면이 착륙하기에 적합한 경우 감지)는 작동 환경을 최적화하는 데 사용됩니다. 특정 상황(예: 조명이 어둡거나 장애물 표면 패턴이 불분명한 경우)에서 비전 시스템이 비활성화되어 지표면을 감지할 수 없는 경우에는 기체 제어에 항상 주의하십시오.

4. 정비 및 유지 관리

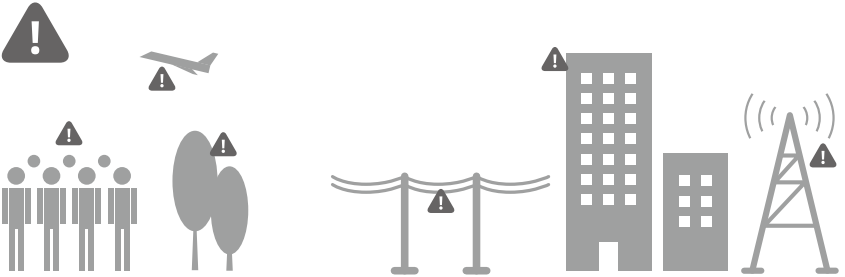
- 오래되고 금이 가거나 파손된 프로펠러는 사용하지 마십시오.
- 권장 보관 온도: 22°~30°C(71°~86°F)
- 안전한 배터리 사용 방법에 대한 자세한 내용은 인텔리전트 플라이트 배터리 안전 가이드를 참조하십시오.

5. 현지 법률 및 규정 준수

- 비행 금지 구역에서 비행하지 마십시오. 이러한 구역에 관한 정보는 <http://flysafe.dji.com/>에서 확인할 수 있습니다. 비행 금지 구역의 전체 목록 및 규정은 해당 지역의 항공 당국에 확인하십시오.
- 비행 고도 제한은 관찰 구역에 따라 달라질 수 있습니다. 현지 법률 및 규정에 명시된 최대 고도를 넘어 비행하지 마십시오.
- 구조대가 영공을 사용 중인 지역에서는 비행하지 마십시오.



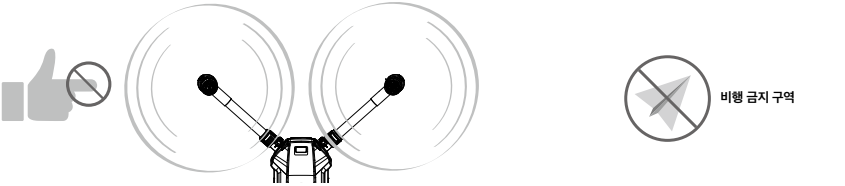
*비행 고도 제한은 국가에 따라 달라질 수 있습니다. 현지 법률 및 규정에 명시된 최대 고도를 넘어 비행하지 마십시오.



사람이 많은 장소, 나무 또는 공항 위 또는 주변에서는 비행하지 마십시오.
진선, 기지국 및 높은 빌딩에서 발생하는 강력한 전자기는 내장 컴파스에 영향을 줄 수 있습니다. Matrice 210-RTK를 사용하는 것이 좋습니다. 비행 중에는 항상 주변을 잘 살피십시오.



비, 눈, 안개, 10m/초(22mph) 이상의 강풍이 부는 악천후에서는 기체를 사용하지 마십시오.



회전하는 프로펠러와 모터에서 멀리 떨어져 계십시오.

자세한 정보:
<http://flysafedji.com/no-fly>

알림

모든 지침 및 기타 자료 문서는 SZ DJI TECHNOLOGY CO., LTD("DJI")의 단독 재량에 따라 변경될 수 있습니다. 최신 제품 정보를 확인하려면 <http://www.dji.com>을 방문하여 제품 페이지를 확인하십시오.

용어집

다음 용어는 본 제품을 작동시킬 때 발생할 수 있는 다양한 잠재적 위험을 나타내기 위해 이 문서 전체에서 사용됩니다.

발생 알림: 제대로 따르지 않는 경우 물리적 재산 피해 및 사소한 부상을 입을 가능성이 있는 절차를 표시합니다.

주의 알림: 제대로 따르지 않는 경우 물리적 재산 피해 및 심각한 부상을 입을 가능성이 있는 절차를 표시합니다.

경고 알림: 제대로 따르지 않는 경우 재산 피해, 부수적 피해, 심각한 부상을 초래할 가능성이 있거나 심각한 부상을 초래할 가능성이 높은 절차를 표시합니다.



경고 제품을 작동시키기 전에 전체 사용자 매뉴얼을 읽고 제품 기능을 숙지하십시오. 사용자 매뉴얼의 지침에 따라 제품을 올바르게 작동시키지 않으면 제품 또는 개인적 재산 피해가 발생하거나 심각한 부상을 입을 수 있습니다.

본 제품은 정교하게 제작되었습니다. 일반 상식 선에서 주의가 기울여 작동해야 하며 기계를 다루기 위한 일부 기본 능력이 필요합니다. 책임감을 가지고 안전한 방식으로 작동하지 않으면 부상을 입거나 제품 또는 기타 재산 피해가 발생할 수 있습니다. 이 제품은 어린이가 사용하기 위한 것이 아닙니다. 호환되지 않는 구성품을 사용하거나 SZ DJI TECHNOLOGY CO., LTD.에서 제공하는 관련 문서에서 허용하는 경우가 아니면 언더 반식으로든 이 제품을 변경하지 마십시오. 이러한 언더 반지에는 안전, 작동 및 정비와 관련된 지침이 포함되어 있습니다. 제품을 안전하게 작동시키고 재산 피해를 막기 위해 부상을 방지하려면 제품을 조립, 설정 또는 사용하기 전에 사용자 매뉴얼에 있는 모든 지침 및 경고를 읽고 따라야 합니다.

권장 연령: 18세 미만의 미성년자에게는 적합하지 않습니다. 본 제품은 장난감이 아닙니다.

비행 전 체크리스트

1. 손상 부품을 사용 중이고 모든 부품이 양호한 상태인지 확인하십시오.
2. 조종기, 인텔리전트 플라이트 배터리 또는 모비얼 기기가 완전히 충전되었는지 확인합니다.
3. 전원을 켜기 전에 카메라 렌즈에 이물질이 묻지 않았는지, Micro SD 카드가 기체에 삽입되었는지, 짐벌을 자유롭게 회전시킬 수 있는지 확인하십시오.
4. 프로펠러 및 마운팅 플레이트가 모터에 단단히 장착되었는지 확인하고 모터를 시작하여 정상적으로 작동시킬 수 있는지 확인합니다.
5. 화면에 표시되는 지침에 따라 콤팩스의 캘리브레이션을 수행합니다.
6. DJI GO 4 앱 및 기체의 펌웨어가 최신 버전으로 업데이트되었는지 확인합니다.
7. 비행할 영역이 비행 금지 구역에 벗어나 있는지 확인하고 비행 조건이 기체를 비행하는 데 적합하지 확인합니다.
8. 인지 능력을 저해하는 음주, 약물 또는 유해 물질을 복용한 상태에서 비행하지 않아야 합니다.
9. 선택한 비행 모드를 숙지하고 모든 안전 기능 및 경고를 이해해야 합니다.
10. 모든 현지 규정을 준수하고, 적절한 허가를 취득한 후 위험을 파악해야 합니다. 꼭 기억할 내용: 적용 가능한 모든 비행 규정을 준수하는 것은 전적으로 사용자의 책임입니다.
11. 항상 기체를 시야(육안)에서 놓치지 말고 관찰하십시오. 기체를 제어하기 위해 1인칭 시점 카메라만 의지하지 마십시오.
12. DJI GO 4 앱이 올바르게 실행되어 기체 작동을 지원할지 확인하십시오. DJI GO 4 앱을 기록된 비행 데이터가 없는 경우, 기체 본실 등을 포함한 특정 상황에서 DJI™는 A/S 지원을 제공할 수 없거나 책임지지 못할 수 있습니다.

고지 사항 및 경고

본 제품은 장난감이 아니며 18세 미만의 미성년자가 사용하기에 적합하지 않습니다. 어린이의 손이 닿지 않는 장소에 기체를 보관하고 어린이가 있는 곳에 서 기체를 작동시킬 때에는 주의를 기울여야 합니다.

제품은 첨단 기술을 채용하고 있지만 제품을 부적절하게 사용하면 부상을 입거나 재산 피해가 발생할 수 있습니다. 제품을 처음 사용하기 전에 제품과 관련된 자료를 읽어 주십시오. 이러한 문서는 제품 패키지에 포함되어 있으며 DJI 제품 페이지(<http://www.dji.com>)에서 온라인으로 볼 수도 있습니다.

본 문서의 정보는 사용자의 안전은 물론 법적 권리 및 책임에 영향을 미칩니다. 제품을 사용하기 전에 전체 문서를 주의 깊게 읽고 구성이 올바르게 확인하십시오. 본 문서의 지침과 경고를 읽고 따르지 않으면 기체가 손실 또는 손상되거나 심각한 부상을 입을 수 있습니다.

제품을 사용하는 것은 본 문서의 고지 사항을 주의 깊게 읽었으며 명시된 이용 약관을 이해하고 준수하는 것에 동의한 것으로 간주됩니다. [HTTP://WWW.DJI.COM/SERVICE/POLICY](http://www.dji.com/SERVICE/POLICY)의 DJI A/S 서비스 정책으로 명시적으로 제공되는 것 외에 제품 및 모든 자료와 제품을 제조하는 콘텐츠는 모든 종류의 명시적이거나 암시적인 보증 또는 조건 없이 "있는 그대로", 사용 가능한 그대로 제공됩니다. DJI는 다음을 포함하여 제품, 제품 액세서리 및 모든 자료와 관련하여 명시적이거나 암시적인 어떠한 관계 없이 DJI A/S 서비스 정책에서 명시적으로 제공되는 것을 제외하고 모든 종류의 보증을 부인합니다. (A) 상업성, 특정 목적에 대한 적합성, 권리, 항권 등 또는 비침해에 대한 모든 암시적 보증 및 (B) 취급, 사용 또는 거래 과정에서 발생하는 모든 보증. DJI는 DJI 전체적 보증에서 명시적으로 제공하는 것을 제외하고 제품, 제품 액세서리나 제품의 일부 또는 모든 자료가 중단되지 않거나 보호되거나 오류, 버그나 또는 기타 유해한 이상 요소가 없다는 것을 보증하지 않으며 이러한 모든 문제가 해결된다면 보증을 하지 않습니다.

구두로든 서면이든 제품, 제품 액세서리 또는 모든 자료로부터 얻은 통지나 정보는 DJI 또는 이 약관에서 명시적으로 언급하지 않은 제품에 관한 보증이 아닙니다. 제품, 제품 액세서리 및 모든 자료를 사용하거나 이에 접근하여 발생할 수 있는 모든 손해 위험은 귀하가 부담합니다. 귀하는 본 제품을 자신의 의지에 따라 위험을 감수하여 사용하고 제품의 사용 또는 사용 불가로 인해 발생하는 모든 부상, 사망, 기체와 재산 피해(제품과 연결하여 사용되는 컴퓨터 시스템이나 모바일 기기 또는 DJI 하드웨어 포함) 또는 제3자의 재산 피해에 대해 책임이 있음을 이해하고 이에 동의합니다.

일부 관할 구역에서는 보증의 부인을 금지할 수 있으며 귀하는 관할 구역에 따라 다른 권리를 가질 수 있습니다.

DJI는 본 제품 사용으로 인해 직접 또는 간접적으로 발생한 피해, 부상 또는 모든 법적 책임에 대해 어떠한 책임도 지지 않습니다. 사용자는 이러한 안전 지침에 명시된 내용을 포함하여(나, 이에 국한되지 않음) 안전한과 적절한 사례를 준수해야 합니다.

데이터 저장 및 사용

당사의 모바일 앱, 제품 또는 기타 소프트웨어 사용 시 비행 원격 측정 데이터(예: 속도, 고도, 배터리 수명 및 짐벌 및 카메라 관련 정보)와 같이 제품 사용 및 작동과 관련된 데이터는 DJI에 전송될 수 있습니다. 제품에 통합된 내부 저장 장치는 비행 원격 측정 데이터를 비롯하여 다양한 유형의 데이터를 저장합니다. 또한 내부 저장 장치에서 DJI로 해당 정보를 수동으로 전송할 때 비행 원격 측정 데이터와 기타 데이터를 제공할 수도 있습니다. 자세한 내용은 <http://www.dji.com/policy>에 있는 DJI 개인정보 보호정책을 참조하십시오.

시작하기 전에

본 제품에는 아래 설명된 대로 올바른 작동 순서로 조작 시 쉽게 비행하도록 도와주는 기체가 포함되어 있습니다. <http://www.dji.com>을 방문하여 최신 지침 및 경고를 확인하고 <http://knowbeforeyoufly.org>에서 비행 안전 및 규정 준수 관련 정보를 참조하십시오.

다음 문서는 기체를 안전하게 작동시키고 완벽하게 사용하도록 돕기 위해 제작되었습니다.

- 구성품 설명서
- 고지 사항 및 안전 가이드
- 인텔리전트 플라이트 배터리 안전 가이드
- 픽스스타트 가이드
- 사용자 매뉴얼

비행 전에 구성품 설명서에 나열된 포함 부품을 모두 확인하고 고지 사항 및 안전 가이드를 읽어보십시오. 그런 다음 퀵 스타트 가이드를 읽고 DJI 공식 웹사이트(<http://www.dji.com>)에서 모든 부속도 일괄 영상을 시청하여 첫 비행을 준비하십시오. 문의 사항이 있는 경우 앱에 있는 사용자 매뉴얼을 참조하거나 DJI 공식 웹사이트에서 자세한 정보를 확인하십시오. 비행 전에 각 개별 부품의 기능, 비행 조건 요구사항, 주요 우발 사태에 대비한 경고 기능/시스템, 모든 정부 구성을 완벽하게 숙지해야 합니다. 본 제품의 조립, 유지 관리 또는 사용자 관련 질문이나 문제가 있는 경우 DJI 또는 DJI 공인 판매점에 문의하십시오.

개별 부품

순정 및 기능 부품 관련

⚠경고

구성 요소 오작동, 심각한 부상 및 재산 피해를 방지하기 위해 다음 규칙을 준수하십시오.

- DJI 순정 부품 또는 DJI에서 인증한 부품을만 사용해야 합니다. 인증되지 않은 부품 또는 DJI 비공인 제조업체의 부품을 사용하면 시스템 오작동 및 안전성 저하의 원인이 될 수 있습니다.
- 기체 또는 해당 구성 요소 내부에 이물질(예: 풀, 기름, 흙, 모래 등)이 없는지 확인해야 합니다.
- 기체와 조종기, 카메라, 짐벌, 콤팩스, 추진 시스템 및 배터리를 포함하여(단, 이에 국한되지 않음) 해당 구성 요소가 올바른 순서로 조립되고 손상되지 않았으며 잘 작동하는지 확인합니다. 이러한 구성 요소의 작동성을 확인하는 방법에 대한 자세한 내용은 이 문서의 나머지 부분을 참조하십시오.
- 기체, 구성 요소 및 부품을 개조 또는 변경하지 마십시오. 무단으로 개조하면 오작동을 초래하여 기체 기능과 안전에 영향을 미칠 수 있습니다.

조종기

알림

- 각 비행 전에 조종기가 완전히 충전되었는지 확인합니다.
- 조종기의 전원을 켜고 5분 동안 사용하지 않으면 경고음이 울립니다. 6분이 지나면 전원이 자동으로 꺼집니다. 경고를 해제하려면 스틱을 움직이거나 다른 동작을 수행하십시오.
- 모바일 기기 홀더의 클램프를 조정하여 모바일 기기를 단단히 고정하십시오.
- 모바일 기기 홀더가 안정적으로 고정되고 미끄러지지 않는지 확인하십시오.
- 조종기의 안테나가 접혀 있지 않은지 확인하고 최적의 전송 품질을 얻을 수 있도록 적합한 위치로 조정합니다.
- 조종기가 손상된 경우 수리하거나 교체합니다. 조종기 안테나가 손상되면 성능이 현저히 떨어질 수 있습니다.
- 조종기 또는 수신기를 교체하거나 새 조종기를 추가하려는 경우 연결 작업이 필요합니다. 자세한 내용은 사용자 매뉴얼을 참조하십시오.
- 안전성 위해 먼저 기체 전원을 끈 다음, 조종기 전원을 끕니다. 그렇지 않으면 기체를 제어하지 못하게 될 수 있습니다.
- 배터리 상태를 올바르게 유지하려면 적어도 3개월에 한 번은 배터리를 완전히 충전하십시오.

콤팩스

주의

혹시 발생할 수 있는 심각한 부상 및 재산 피해를 방지하기 위해 다음 규칙을 준수하십시오.

비행 중에 명백한 오동음이 발생하는 경우(즉, 기체가 직선으로 날지 않는 경우) 즉시 착륙시키십시오.

알림

DJI GO 4 앱 또는 상태 표시기에서 콤팩스를 캘리브레이션하라고 알리는 경우에만 콤팩스를 캘리브레이션하십시오. 콤팩스를 캘리브레이션할 때는 다음 규칙을 준수하십시오.

- 자석, 주자용 구조물 또는 지하 금속 보강재와 같이 자기 간섭이 있는 곳에서는 콤팩스를 캘리브레이션하지 마십시오.
- 캘리브레이션 중에는 휴대전화와 같은 자성이 강한 물체를 소지하지 마십시오.

- 캘리브레이션을 완료한 후 콤팩스가 강한 간섭의 영향을 받는 경우 DJI GO 4 앱에 콤팩스 문제를 해결하라는 메시지가 표시됩니다. 콤팩스 문제를 해결하려면 표시되는 지침을 따르십시오.

추진 시스템

⚠경고

회전하는 프로펠러 및 모터로 인해 발생할 수 있는 자선이나 다른 사람의 심각한 부상을 방지하기 위해 다음 규칙을 준수하십시오.

프로펠러

- 오래되고 금이 가거나 파손된 프로펠러를 사용하지 마십시오.
- 프로펠러를 만지기 전에 항상 기체의 전원을 끕니다.
- 프로펠러를 장착 때 날카로운 모서리에 주의합니다. 프로펠러를 만질 때에는 장갑을 착용하거나 다른 보호 조치를 취해야 합니다.
- 필요한 경우 도구(예: 렌치, 스크루드라이버, 집게 등)를 사용하여 프로펠러를 장착 또는 분리합니다.
- 프로펠러가 모터에서 떨어지지 않도록 단단히 장착되었는지 확인합니다.
- 프로펠러를 장착하고 바로 가까이에 사람 또는 동물이 있을 때에 모터를 켜지 마십시오.
- 타사 프로펠러를 사용하면 기체의 공력 특성이 손상될 수 있습니다. 보다 폐쇄적이고 안전한 비행 환경을 위해서는 정품 DJI 프로펠러를 사용하는 것이 좋습니다.
- 주변 온도가 약 0°C(32°F)인 경우 프로펠러에 서리가 끼지 않도록 비행하기 전에 항상 프로펠러를 닦아 건조시키십시오.

모터

- 모터가 단단히 장착되고 부드럽게 회전하는지 확인합니다.
- 모터 구조는 절대 건드리지 마십시오.
- 비행 후에는 모터를 뜨거울 수 있으므로 손으로 만지거나 신체가 닿지 않게 하십시오.

주의

혹시 발생할 수 있는 심각한 부상 및 재산 피해를 방지하기 위해 다음 규칙을 준수하십시오.

- 모터의 통풍구를 막지 마십시오.
- 기체 프레임 안의 통풍구를 막지 마십시오.

알림

모터

- 만지가 되지 않도록 모터를 깨끗하게 유지합니다.
- 어떤 이유로 모터를 자유롭게 회전하지 않는 경우 스틱 조합 명령(CSC)을 실행하여 모터를 즉시 중지합니다.

전자식 속도 제어기

전원이 켜질 때 ESC 소리가 정상인지 확인합니다.

DJI GO 4 앱

알림

- 앱을 실행하기 전에 태블릿 또는 모바일 기기를 완전히 충전합니다.
- DJI GO 4 앱을 사용하려면 모바일 셀룰러 데이터가 필요합니다. 데이터 요금에 대해서는 무선 통신사에 문의하십시오.
- 모바일 디스플레이 기기로 휴대전화를 사용하면 경우 수신 전화가 걸려올 때에도 안전하게 비행을 계속하도록 주의를 기울여야 합니다. 비행 중에는 수신 전화에 응답하지 마십시오.
- 표시되는 안전 띠, 경고 메시지 및 고지 사항을 모두 주의 깊게 읽습니다. 해당 지역의 관련 규정을 숙지하십시오. 모든 관련 규정을 인지하고 준수하는 방식으로 비행할 책임은 전적으로 사용자에게 있습니다.
 - 자동 이륙 및 자동 착륙 기능을 사용하기 전에 경고 메시지를 읽고 이해합니다.
 - 홈 포인트로 재설정하기 전에 경고 메시지를 읽고 이해합니다.
 - 고도를 규정 제한을 초과하여 설정하려면 경고 메시지와 고지 사항을 읽고 이해합니다.
 - 비행 모드 간에 전환하기 전에 경고 메시지와 고지 사항을 읽고 이해합니다.
- 앱에 경고가 표시되는 경우 즉시 기체를 안전한 장소에 착륙시키십시오.

- 각 비행 전에 앱에 표시되는 체크리스트의 모든 경고 메시지를 확인합니다.
- 기체를 작동시킨 경험이 아예 없거나 편안하게 비행하는 데 충분한 경험이 없는 경우 앱에 내장된 시뮬레이터를 사용하여 비행 기술을 습득합니다.
- 각 비행 전에 인터넷에 연결하여 기체를 비행하려는 영역의 지도 데이터를 캐싱합니다.
- 앱은 사용자의 작동을 지원하기 위해 설계되었습니다. 기체를 제어하는 데 사용자의 적절한 재량을 이용하고 앱에 의존하지 않습니다.
- 앱 사용에는 DJI GO 4 앱 이용 약관과 DJI 개인정보 보호정책이 적용됩니다. 앱에서 이용 약관과 개인정보 보호정책을 주의 깊게 읽어 주십시오.

필웨어

△경고

어린이와 동물의 심각한 부상을 방지하기 위해 다음 규칙을 준수하십시오.

모든 필웨어 업데이트, 시스템 캘리브레이션 및 설정값 설정 절차를 수행하는 동안 어린이와 동물로부터 안전한 거리를 유지합니다.

알림

- 안전을 위해, 업데이트 알림이 DJI GO 4 앱에 표시되는 경우 필웨어를 최신 버전으로 항상 업데이트합니다.
- 필웨어 업데이트 알림을 통해 새로운 필웨어 업데이트를 알려줍니다. 표시되는 정보를 읽고 이해해야 합니다. 추가적으로, 비행 원격 측정 데이터를 포함하여(단, 이에 국한되지 않음) 관련 데이터와 사용자 선택 레코드가 DJI 지점 서버에 업로드되고 해당 서버에서 유지 관리될 수 있음을 이해하고 동의합니다.
- 기체의 필웨어를 업데이트한 후 조종기의 필웨어를 최신 버전으로 업데이트해야 합니다.
- 조종기는 업데이트 후에 기체로부터 연결이 끊어질 수 있습니다. 조종기와 기체를 다시 연결하십시오.
- 필웨어 업데이트를 수행하기 전에 모든 연결을 확인하고 모터에서 프로펠러를 분리해야 합니다.

카메라(선택 사항)

△경고

충격 발생할 수 있는 심각한 부상 및 재산 피해를 방지하기 위해 다음 규칙을 준수하십시오.

발생된 얼로 인해 부상을 입거나 기기가 손상될 수 있으므로 카메라의 통풍구를 막지 마십시오.

알림

- 사용하기 전에 카메라 설정을 검사하여 필요한 대로 조정할 수 있는지 확인합니다.
- 중요한 사진 또는 동영상 촬영하기 전에 몇 가지 테스트 이미지를 촬영하여 카메라가 올바르게 작동하는지 확인합니다.
- 기체의 전원이 켜진 상태에서 Micro SD 카드를 제거하지 마십시오.
- 인텔리전트 플라이트 배터리와 전원의 전원이 꺼진 경우 사진 또는 동영상을 기체에서 전송 또는 복사할 수 없습니다.
- 인텔리전트 플라이트 배터리의 전원이 올바르게 꺼져 있는지 확인합니다. 그렇지 않으면 카메라 설정값이 저장되지 않고 녹화된 모든 동영상이 손상될 수 있습니다.
- 이유와 상관없이 DJI는 모든 이미지 또는 동영상 시 촬영되지 않거나 기체에 시 읽을 수 없는 형식으로 녹화되는 문제에 대해 책임을 지지 않습니다.

집벌(선택 사항)

알림

- 집벌의 정밀 요소들은 충돌 또는 충격에 의해 손상될 수 있으며 이로 인해 집벌이 비정상적으로 작동할 수 있습니다.
- 집벌이 켜진 후에는 집벌에 외부 압력을 가하지 마십시오.
- 집벌이 비정상적으로 작동하거나 모터가 손상될 수 있으므로 집벌에 하중을 가하지 마십시오.
- 집벌 및 집벌 커넥터는 매우 정교하므로, 조심히 다루어야 하며, 집벌 커넥터는 만지지 마십시오. 손상된 경우 오작동으로 이어질 수 있기 때문입니다.
- 집벌을 분리하거나 다시 연결할 때 떨어뜨리지 않도록 안정적으로 잡고 있어야 합니다.
- 기체의 전원이 켜져 있을 때는 집벌을 부착하거나 분리하지 마십시오.
- 단일 집벌과 듀얼 집벌은 별도로 사용해야 합니다.

- 단일 상향 집벌과 듀얼 하향 집벌을 사용할 때는 사용자 매뉴얼에 있는 지침을 엄격히 준수하여 호환되는 집벌 카메라를 장착해야 합니다. 그렇지 않으면 이미지 전송에 실패할 수도 있습니다.

제품 관리

보관 및 운반

△경고

어린이와 동물의 심각한 부상을 방지하기 위해 다음 규칙을 준수하십시오.

케이블 및 스트랩과 같은 소형 부품은 삼키는 경우 위험합니다. 모든 부품을 어린이와 동물의 손이 닿지 않는 곳에 보관하십시오.

알림

- 내장 LiPo 배터리가 과열되지 않게 하기 위해 인텔리전트 플라이트 배터리와 조종기를 직사광선이 닿지 않는 서늘하고 건조한 장소에 보관합니다. 3개월 이상 보관하는 경우 권장 보관 온도는 22~30°C(71~86°F)입니다. -20~-45°C(-4~-113°F) 온도 범위를 벗어나는 환경에는 절대 보관하지 마십시오.
- 카메라가 물 또는 기타 액체에 빠지거나 닿지 않게 합니다. 젖었을 경우 부드러운 흡수성 천으로 물기를 닦아내십시오. 물에 빠진 기체를 켜면 구성 요소가 영구적으로 손상될 수 있습니다. 알코올, 벤젠, 시너 또는 기타 기타 구성 물질을 포함한 소액의 카메라를 닦거나 정비하지 마십시오. 습하거나 먼지가 많은 장소에 카메라를 보관하지 마십시오.
- 장기가 보관하거나 장거리 수송하는 경우에는 기체에서 집벌을 분리하십시오.
- 버전 2.0 미만의 USB 인터페이스에 제품을 연결하지 마십시오. "전원 USB" 또는 유사 기기에 제품을 연결하지 마십시오.

정비 및 유지 관리

알림

- 충돌 또는 강한 충격이 발생한 후 제품 점검이나 수리에 대해서는 DJI 권장 서비스 센터에 문의하십시오. 손상된 기체를 작동하는 것은 매우 위험하며 인적 상해 또는 재산 피해가 일어날 수 있습니다.
- 배터리는 남은 배터리의 잔량이 40%-65%인 상태에서 3개월 동안 보관할 수 있습니다. 배터리 상태를 올바르게 유지하려면 적어도 3개월에 한 번은 배터리를 완전히 충전 및 방전시키십시오.
- 안전 및 안정성을 위해 50시간의 비행 시간마다 유지 관리 서비스를 받는 것이 좋습니다.

비행 조건 요구사항

기상 조건 및 주변 환경

△경고

기체는 양호한 기상 상태에서 작동하도록 설계되었습니다. 충돌, 심각한 부상 및 재산 피해를 방지하기 위해 다음 규칙을 준수하십시오.

- 날씨가 좋지 않을 때는 기체를 사용하지 마십시오. 약천 후에는 10m(초를 초과하는 바람, 눈, 비, 안개, 폭풍, 우박, 번개, 토네이도 및 허리케인이 포함됩니다).
- 비행 중에는 기체가 장애물, 사람, 동물, 건물, 공공 시설, 나무 및 수계로부터 최소한 10m(30피트) 떨어져도록 유지합니다. 고도가 증가함에 따라 위의 사물에서 보다 멀리 떨어져서 비행하십시오.
- 기체를 실내에서 작동시킬 때는 각별한 주의가 요구됩니다. 특히 안전장 가능 같은 기체의 일부 기능이 영향을 받을 수 있습니다.
- 실내 비행 시 비전 시스템을 활성화해야 합니다. 수면 위나 불규칙한 표면, 어두운 환경에서 비행할 때는 비전 시스템이 제대로 동작하지 않을 수 있습니다.

알림

- 기체의 배터리의 성능은 공기 밀도나 기온과 같은 환경적 요소의 영향을 받습니다.
 - 20~-45°C(-4~-113°F) 온도 범위를 벗어나는 경우 기체를 작동시키지 마십시오.
- 사고, 화재, 폭발, 흡수, 스나미, 눈사태, 산사태, 지진, 먼지 또는 모래 폭풍이 있는 지역에서 기체를 사용하지 마십시오.

통신 간섭

알림

1. 부딪히거나 충돌한 기계 부품이 없는지 확인합니다. 필요한 경우 DJI 고객 지원 또는 공인 판매점에 문의하십시오.
2. 시야가 확보된 넓은 지역에서 비행합니다. 고층 건물과 철길 구조물은 내장 컴퍼스의 정확성에 영향을 주고 GPS 신호를 차단할 수 있습니다.
3. 조종기와 기타 무선 장비 간의 간섭을 피합니다. 모바일 기기에서 Wi-Fi를 끄는 것이 좋습니다.
4. 잔지기 또는 무선 간섭이 발생하는 지역 근처를 비행할 때는 매우 조심해야 하며 M210-RTK는 그러한 환경에서 작동하지 않는 것이 좋습니다. 이 지역에는 고압 전선, 대규모 송전 시설, 모바일 기기 및 방송 송신탑이 포함됩니다. 이렇게 하지 않으면 제품의 전송 품질이 저하되거나 조종기와 동영상이 전송 오류가 발생하여 비행 방향 및 위치 정확성에 영향을 미칠 수 있습니다. 간섭이 너무 많아지면 기체가 비정상적으로 작동하거나 제어 영역을 벗어날 수 있습니다.

책임감을 갖고 기체 작동하기

△경고

- 심각한 부상 및 재산 피해를 방지하기 위해 다음 규칙을 준수하십시오.
1. 음주, 약물 복용, 마취 상태이거나 어지러움, 피로, 메스꺼움 증상이 나타나거나 기체를 안전하게 작동시키는 능력을 떨어뜨릴 수 있는 기타 신체적 또는 정신적 상태가 아닌지 확인합니다.
 2. 기체가 비행 중일 때 왼쪽 스틱을 안쪽 하단 모서리로 당기고 동시에 RTH 버튼을 누르면 모터가 정지합니다. 기체의 착륙 기능은 작동되지 않습니다. 긴급 상황이 아닌 경우 앞서 언급한 명령 조합을 수행하지 마십시오. 이 기능은 기본적으로 꺼져 있습니다. DJI GO 4 앱을 통해 이 명령 조합 기능을 켤 수 있습니다.
 3. 착륙 시 먼저 기체의 전원을 끈 다음 조종기의 스위처를 끕니다.
 4. 기체를 떨어뜨리거나 위험한 하중을 추가하거나 건물, 사람 또는 동물을 향해 비행하지 마십시오. 심각한 부상 또는 재산 피해가 일어날 수 있습니다.
 5. 낙하 또는 사고로 인한 충격을 받았거나 기타 이유로 상태가 좋지 않은 기체는 사용하지 마십시오.

알림

1. 사고가 일어나지 않도록 충분한 훈련하고 모든 비상 대책을 완전히 숙지하고 있는지 확인합니다.
2. 비행 계획을 세우고 기체를 무모하게 비행하지 않습니다.
3. 카메라 사용 시 타인의 사생활을 존중합니다. 현지 사생활 보호법 및 규정을 준수하고 도덕적 기준을 따라야 합니다.
4. 일반적인 개인 용도 이외의 다른 이유로 본 제품을 사용하지 마십시오. 불법적 또는 부적절한 목적(예: 첩보 활동, 군사 작전 또는 무단 조사)으로 사용하지 마십시오.
5. 음해, 학대, 희롱, 스토킹, 위협 또는 타인의 법적 권리(예: 사생활 보호권 및 초상권)를 침해하는 기타 용도로 본 제품을 사용하지 마십시오.
6. 타인의 사유 재산을 무단 침범하지 마십시오.

비행 모드, 기능 및 경고

비행 모드

△경고

- 심각한 부상 및 재산 피해를 방지하기 위해 다음 규칙을 준수하십시오.
- 각 비행 모드에 대한 기체 동작에 충분히 익숙하지 않은 경우 P 모드에서 A 모드로 또는 S 모드로 전환하십시오. GPS를 비활성화하면 기체를 안전하게 착륙시키지 못할 수도 있습니다.

알림

P 모드 또는 S 모드는 대부분의 비행 시나리오에서 선호되는 모드입니다. 사용자들은 P 모드 또는 S 모드를 사용할 수 없는 경우 A 모드로 전환할 수 있습니다. A 모드로 비행하는 경우 일부 기능을 사용할 수 없으므로 각별한 주의가 필요합니다. 실내 비행과 같이 선명한 패턴이 없는 표면 위를 날아갈 때 기체는 정확한 호버링을 수행할 수 없습니다. 전체 실내 비행 기준은 '비전 시스템 및 적외선 감지 시스템' 섹션을 참조하십시오.

1. P 모드(위치 조정): P 모드는 GPS 신호가 강할 때 가장 잘 작동합니다. 기체는 GPS 및 비전 시스템을 활용하여 자동으로 안정적 자세를 잡고 장애물 사이를 통과하거나 움직이는 물체를 추적합니다. 이 모드에서는 TapFly 및 ActiveTrack과 같은 고급 기능이 활성화됩니다.
2. S 모드(스포츠): S 모드는 기체의 조종성을 향상시키기 위해 기체의 처리 게인 값이 조정되는 점을 제외하고 비행 컨트롤러 설정 관점에서 P 모드와 동일합니다. 이 모드에서는 기체의 최대 비행 속도가 증가합니다.
3. A 모드(자세): GPS와 비전 시스템을 둘 다 사용하지 않는 경우 기체는 고도를 제어하기 위해 자체 기압계만을 사용합니다. GPS 지원을 사용하지 않는 모드(에: A 모드)로 전환하려는 경우 표시되는 고지 사항을 수락하여 이 기능을 활성화해야 합니다. 이 기능이 활성화되면 추가적으로 비행 원경 측정 데이터를 포함하여(이에 국한되지 않음) 관련 데이터와 기능 레고드와 DJI 지정 서버에 업로드되고 해당 서버에서 유지 관리될 수 있음을 이해하고 동의합니다.

패일세이프 및 리턴 투 홈

알림

1. 리턴 투 홈 기능은 GPS 신호가 충분하지 않거나 GPS 신호 대역이 3개 미만 GPS가 활성화되지 않은 경우 작동하지 않습니다.
2. 리턴 투 홈 프로세스를 시작하려면 조종기를 끄는 대신 조종기에서 RTH(리턴 투 홈) 버튼을 누릅니다.
3. 높은 빌딩은 패일세이프 기능에 부정적인 영향을 줄 수 있습니다. 홈 포인트로 돌아오는 동안 장애물을 피하려면 기체 위치, 고도 및 속도를 조정하십시오. 패일세이프 중에 기체가 20미터(65피트) 이상의 고도에 도달하고 나서 왼쪽 스틱을 움직이면 기체가 상승을 중지하고 즉시 홈 포인트로 돌아옵니다.
4. 조종기의 전송 범위 내에서 기체를 작동하십시오.
5. 패일세이프 및 리턴 투 홈 기능은 긴급 상황에서만 사용하십시오. 날씨, 환경 또는 근처의 모든 자기장이 이러한 기능에 영향을 줄 수 있습니다.
6. 기체는 조영 조건이 이상적이지 못할 때 패일세이프 RTH 중 장애물을 피할 수 없습니다. 그러므로 비행 전에 적합한 패일세이프 고도를 설정하는 것이 중요합니다.
7. 배터리 수명이 허용하는 경우 기체는 먼저 패일세이프 RTH 중 조종기로 연결했던 마지막 위치로 되돌아갈 수 있습니다. 결과적으로 먼저 기체가 떨어지던 후 홈 포인트로 돌아오는 것을 관찰할 수 있습니다.

배터리 부족

알림

1. 심각한 배터리 부족 경고가 활성화되고 기체가 자동으로 하강하는 경우 스크롤을 밀어 올려 기체의 고도를 유지한 다음 착륙하는 데 더 적합한 위치를 찾을 수 있습니다.
2. 배터리 경고가 발생하면 신속하게 기체를 홈 포인트로 돌아오게 하거나 착륙시켜서 비행 중의 전력 손실을 방지하고 기체, 재산, 동물 및 사람에게 피해가 가지 않게 합니다.

D-RTK(M210-RTK용)

알림

1. DJI 순정 부품 또는 DJI에서 인증한 부품만을 사용하십시오. 인증되지 않은 부품 또는 DJI 비공인 제조업체의 부품을 사용하면 시스템 오작동 및 안전성 저하의 원인이 될 수 있습니다.
2. 무선 간섭이 없는 개방된 장소에서 작동하십시오. 안테나를 사용할 때는 동일한 높이를 유지하고 서로 방해가 되지 않도록 하십시오.
3. 안테나 케이블을 과도하게 구부리거나 접지 마십시오.
4. D-RTK™ 및 해당 구성 요소에 이물질(예: 물, 기름, 흙, 모래 등)이 없는지 확인하십시오.

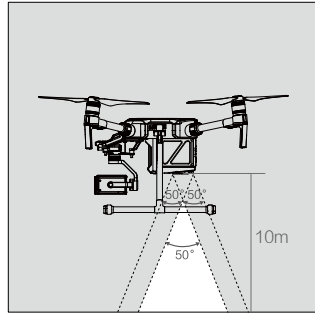
비전 시스템 및 적외선 감지 시스템

알림

1. 비전 시스템은 선명한 패턴 변화가 없는 표면 위에서는 제대로 작동하지 않습니다. 비전 시스템은 기체 고도가 0.3-10미터인 경우에만 효과적으로 작동합니다.
2. 비전 시스템은 기체가 물 위를 비행하는 경우 올바르게 작동하지 않을 수 있습니다.
3. 비전 시스템이 활성화된 경우 초음파 센서에서 일부 동물뿐만 아니라 청취 가능

한 고주파 음향을 방출하므로 애런동물이 기체에 접근하지 못하게 해야 합니다.

4. 다음 상황에서는 주의를 기울여 기체를 작동시키십시오.
 - a. 다른 표면(예: 완전한 검은색, 흰색, 빨간색, 녹색) 위로 비행하는 경우
 - b. 반사가 잘 되는 표면 위로 비행하는 경우
 - c. 고속으로 비행하는 경우(2미터 높이에서 14m/초 또는 1미터 높이에서 5m/초)
 - d. 물 또는 투명한 표면 위로 비행하는 경우
 - e. 움직이는 표면 또는 사물 위로 비행하는 경우
 - f. 조명이 자주 또는 심하게 변화되는 영역에서 비행하는 경우
 - g. 극도로 어둡거나(15럭스 미만) 밝은(10,000럭스 초과) 표면 위로 비행하는 경우
 - h. 음파를 흡수할 수 있는 표면(예: 두꺼운 카펫) 위로 비행하는 경우
 - i. 선명한 패턴 또는 결이 없는 표면 위로 비행하는 경우
 - j. 동일한 반복 패턴 또는 결이 있는 표면(예: 동일한 디자인의 타일) 위로 비행하는 경우
 - k. 기체의 음파를 전향시키는 기술어진 표면 위로 비행하는 경우
1. 주변에 적외선 반사 에너지가 낮은 작은 장애물이 있는 환경에서 비행하는 경우
5. 조종기의 신호가 잡히지 않고 GPS 신호가 약해서 기체가 홈 포인트를 감지할 수 없는 경우 기체는 8초 동안 호버링한 후 자동으로 착륙합니다("P" 모드인 경우).
6. 기체가 추락한 경우 비전 시스템의 캘리브레이션을 수행해야 합니다. DJI GO 4 앱에서 해당 메시지를 표시하면 비전 시스템의 캘리브레이션을 수행하십시오.
7. 비전 시스템 및 적외선 감지 시스템의 시각 지대(회색)를 주의하십시오.



하향 비전 시스템은 포지셔닝에만 사용됩니다.

8. 비전 시스템이 작동 중인 경우 약 40KHz 주파수의 다른 초음파 기기를 사용하지 마십시오. 형식 센서를 청결하게 유지합니다. 센서를 조작하지 마십시오.
9. 비전 시스템 및 적외선 감지 시스템은 기체 속도가 14m/초(31.3mph)를 초과하는 경우 장애물로부터 안전한 거리에서 기체를 제동하고 정지할 수 없습니다.

TapFly

주의

- 심각한 부상 또는 재산 피해를 방지하기 위해 다음 지침을 준수하십시오.
1. 사람, 동물, 작고 가는 물체(예: 나뭇가지 및 전선) 또는 투명한 물체(예: 유리 및 물) 쪽으로 기체를 비행하지 마십시오.
 2. 주변 영역(특히 기체의 후방, 좌측 및 우측)의 잠재적 장애물을 잘 살펴보고 안전하게 피해서 사고를 미연에 방지합니다.
 3. 긴급 상황이 발생할 경우, 조종기에서 스틱을 밀어 기체를 조종할 수 있도록 준비하거나 조종기 또는 화면에서 STOP 버튼을 눌러 TapFly를 종료합니다.

알림

1. TapFly 선택에 대한 예상 경로와 실제 경로 사이에 편차가 있을 수 있습니다.
2. 화면 상의 선택 가능한 범위는 제한됩니다. 화면 상단 또는 하단 모서리 주위에는 TapFly 선택을 만들 수 없습니다.
3. TapFly 모드는 기체가 물 또는 눈으로 덮인 지역 위로 비행하는 경우 제대로 작동하지 않을 수 있습니다.
4. 극도로 어둡거나(300럭스 미만) 밝은(10,000럭스 초과) 환경에서 비행할 때에는 더 많은 주의를 기울여야 합니다.

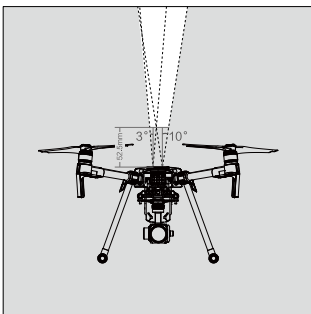
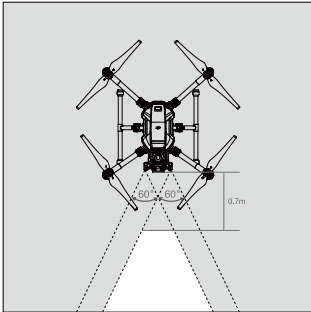
ActiveTrack

심각한 부상 및 재산 피해를 방지하기 위해 다음 지침을 준수하십시오.

1. 원하는 비행 경로에 사람, 동물, 작고 가는 물체(예: 나뭇가지 및 전선) 또는 투명한 물체(예: 유리 및 물)가 없는지 확인합니다.
2. 주변 영역(특히 기체의 후방, 좌측 및 우측)의 잠재적 장애물을 잘 살펴보고 안전하게 피해서 사고를 미연에 방지합니다.
3. 긴급 상황이 발생할 경우, 조종기에서 스틱을 밀어 기체를 조종할 수 있도록 준비하거나 조종기 또는 화면에서 STOP 버튼을 눌러 ActiveTrack을 종료합니다.

알림

1. 다음 상황에서 ActiveTrack을 사용할 때에는 특히 주의해야 합니다.
 - a. 추적된 물체의 움직임이 평면적이 아닌 경우
 - b. 추적된 물체가 움직이는 동안 모양이 심하게 변하는 경우
 - c. 추적된 물체가 장시간 동안 차단되거나 시야에서 사라지는 경우
 - d. 추적된 물체가 눈으로 덮인 지역에 있는 경우
 - e. 조명이 극도로 낮거나(300럭스 미만) 높은(10,000럭스 초과) 경우
 - f. 추적된 물체가 주변 환경과 동일한 색상 또는 패턴을 가지고 있는 경우



2. ActiveTrack 사용 시 현지 사생활 보호법 및 규정을 따라야 합니다.

규정 및 비행 금지 구역 준수

규정

⚠경고

심각한 부상 및 재산 피해를 방지하기 위해 다음 규칙을 준수하십시오.

1. 고도와 상관없이 유인 기체 근처에서 비행하지 마십시오. (필요한 경우 즉시 착륙시켜야 합니다.)
2. 도시, 스포츠 행사, 전시회, 공연 등을 포함하여 사람이 많이 모여 있는 지역에서 기체를 비행하지 마십시오.
3. 공인 고도를 넘어서 기체를 비행하지 마십시오. 유인 기체 운행에 방해로 주지 않도록 해당 지역을 피해서 비행하십시오. 항상 다른 기체와 장애물을 잘 살피고 충돌을 미연에 방지하십시오.

주의

심각한 부상 및 재산 피해를 방지하기 위해 다음 규칙을 준수하십시오.

1. 현지 법률 및 규정에 지정된 비행 금지 구역 안이나 주변에서 기체를 비행하지 마십시오. 비행 금지 구역 목록은 공항, 두 주권 국가 또는 지역 사이의 국경, 주요 도시/지역 등을 포함하여 계속 업데이트됩니다.
2. 공인 고도를 넘어서 기체를 비행하지 마십시오.
3. 항상 시야 조준선(VLOS) 내에 기체를 유지하고 필요한 경우 관측기를 사용 합니다.
4. 불법적이거나 위험한 상품/물건을 운반하는 데 기체를 사용하지 마십시오.

알림

1. 비행 조작의 유형/목적(예: 취미용, 공용 또는 상업용)을 이해하고 비행 전에 관련 정부 기관으로부터 해당 승인 및 허가를 취득해야 합니다. 포괄적 정의와 특정 요구사항에 대해서는 현지 규제 기구에 문의하십시오. 미국에서 기체를 작동시키는 사용자의 경우 먼저 <http://www.knowbeforeyoufly.org/>를 방문하여 상황에 적합한 조치를 취하십시오.
2. 원격으로 조종되는 기체는 특정 국가 및 지역에서 상업 활동 수행이 금지될 수 있습니다. 해당 규칙은 본 문서에 명시된 내용과 다를 수 있으므로 비행 전에 적용 가능한 모든 법률 및 규정을 확인하고 따르십시오.
3. 발전소, 수처리 시설, 고도소, 교통량이 많은 도로, 정부 시설, 군사 지역 등의 민감한 인프라 또는 지역 주변에서 비행하지 마십시오.
4. 카메라 사용 시 타인의 사생활을 존중합니다. 모든 개인, 개체, 행사, 공연, 전시회 및 재산에 대해 허가 없이 사진을 촬영하거나 동영상을 녹화하지 마십시오. 개인 용도로 사진이나 동영상 촬영할 때에도 사생활 침해 소지가 있는 경우 법의 처벌을 받을 수 있습니다.
5. 행사, 공연, 전시회 또는 상업 재산 등의 특정 영역에서 카메라를 사용하여 이미지 및 동영상을 촬영하면 개인 용도인 경우에도 저작권 또는 기타 법적 권리를 위반할 수 있음을 유념합니다.

비행 금지 구역

알림

DJI는 비행 안전을 중시하기 때문에 사용자가 비행 중에 현지 법률 및 규정을 준수하도록 지원하는 다양한 도구를 개발했습니다. 다음 기능이 완벽하게 업데이트되도록 펌웨어를 최신 버전으로 업데이트할 것을 강력히 권장합니다.

비행 금지 구역

1. 비행 금지 구역에는 전 세계 주요 공항, 두 주권 국가 또는 지역 사이의 국경, 주요 도시/지역 등이 포함됩니다(단, 이에 국한되지 않음).
2. 비행 금지 구역 목록은 DJI 공식 웹사이트(<http://www.dji.com/flysafe/no-fly>)에 제공되며, 최신 규제 요구사항에 따라 사진 통지 없이 주기적으로 업데이트됩니다.
3. 일부 비행 금지 구역은 여러 구역으로 구성됩니다. 각 구역은 여러 크기의 원으로 이루어져 있습니다. 기체는 비행 금지 구역 내에 있는 대부분의 영역에서 이륙할 수 없으며 대부분의 내부 영역 모서리에 접근하는 경우 지정된 고도로 하강하게 됩니다. 지상 기지국 기능은 기체가 비행 금지 구역 내에 있는 경우 비활성화됩니다.
4. 사용자는 비행 금지 구역 내에서 웨이포인트를 설정할 수 없습니다.

고도 제한

1. 지면에서 120m(400피트)를 넘지 않고 주위 장애물을 피해서 안전하게 비

행하십시오. 현지 법률 및 규정에 따라 법적 최대 비행 고도는 더 낮을 수 있습니다. 적용 가능한 모든 법률을 엄격히 준수하십시오.

2. 기본 고도 제한보다 높이 비행하려는 경우 표시된 고지 사항을 수락하여 새 고도 제한을 활성화해야 합니다. 새 고도 제한이 설정되면 추가적으로 비행 원격 측정 데이터를 포함하여(단, 이에 국한되지 않음) 관련 데이터와 고도 제한 변경사항이 DJI 지정 서버에 업로드되고 해당 서버에서 유지 관리될 수 있음을 이해하고 동의합니다.

이 문서의 내용은 언제든지 변경될 수 있습니다.
최신 버전은 다음 웹사이트에서 다운로드하십시오.
www.dji.com/matrice-200-series

MATRICE는 DJI의 상표입니다.
Copyright © 2017 DJI All Rights Reserved.

Sicherheitsvorschriften auf einen Blick

1. Umgebungsbedingungen

- Betreiben Sie das Fluggerät nur in Gegenden ohne Gebäude und andere Hindernisse.
- Über- und umfliegen Sie keine Menschenmengen.
- Fliegen Sie möglichst nicht höher als 120 Meter*.
- Fliegen Sie nur bei moderaterem Wetter zwischen -20 und 45 °C.
- Bei Innenflügen ist erhöhte Vorsicht geboten, da die Stabilisierungsfunktionen des Fluggeräts gestört werden können.
- Fliegen Sie NICHT, wenn die Windgeschwindigkeit 10 m/s überschreitet.



2. Checkliste für die Flugvorbereitung

- Vergewissern Sie sich, dass die Akkus für Fernbedienung und Fluggerät vollständig geladen sind.
- Vergewissern Sie sich vor jedem Flug, dass die Propeller in gutem Zustand und sicher befestigt sind.
- Vergewissern Sie sich, dass die Motoren frei drehen können.
- Vergewissern Sie sich, dass das Kameraobjektiv sauber und fleckenfrei ist.
- Kalibrieren Sie den Kompass nur dann, wenn die „DJI GO™ 4“-App oder die Statusanzeige Sie dazu auffordert.
- Durch Veränderung oder Umbau der Komponenten des Fluggeräts kann die Stabilität des Fluggeräts beeinträchtigt werden. Halten Sie sich strikt an die offiziellen Anweisungen von DJI zum Anbringen von externen Komponenten, und achten Sie darauf, dass das Gesamtgewicht des Fluggeräts nie 6,14 kg überschreitet. Achten Sie darauf, dass externe Komponenten exakt so angebracht werden, wie es in der offiziellen Anleitung beschrieben wird, um sicherzustellen, dass der Schwerpunkt des Fluggeräts sich nicht ändert.

3. Betrieb

- Halten Sie ausreichend Abstand zu den drehenden Propellern und Motoren.
- Behalten Sie das Fluggerät jederzeit im Blick.
- Die Funktion, den Motor während des Fluges durch Drücken der RTH-Taste und gleichzeitiges Ziehen des linken Steuerhebels nach unten rechts (beides 3 Sekunden lang halten), ist standardmäßig deaktiviert. Diese Funktion kann in der „DJI GO 4“-App aktiviert werden. Verwenden Sie diese Funktion nur im absoluten Notfall.
- Beantworten Sie während des Fluges keine Anrufe oder Textnachrichten, und verwenden Sie auch sonst keine Funktionen Ihres Mobilgeräts, die Sie vom Betrieb des Fluggeräts ablenken könnten. Betreiben Sie das Fluggerät nicht unter dem Einfluss von Alkohol oder Drogen.
- Halten Sie das Fluggerät vor reflektierenden Flächen (z. B. Wasser oder Schnee) fern, da das optische System andernfalls gestört werden kann.
- Wenn der Akku einen niedrigen Akkuladestand meldet, landen Sie das Fluggerät umgehend an einer sicheren Stelle.
- Beim Rückkehrflug können Sie die Flughöhe anpassen, um Hindernissen auszuweichen.
- Nach der Landung muss zunächst der Motor ausgeschaltet werden. Schalten Sie dann die Intelligent Flight Battery aus und anschließend die Fernbedienung.
- Wenn Sie die Funktionen TapFly™ oder ActiveTrack™ verwenden, seien Sie jederzeit bereit, die Kontrolle über das Fluggerät durch Drücken der Hebel zu übernehmen. Beachten Sie, dass das Fluggerät mit der Verwendung der Funktionen TapFly oder ActiveTrack fortfährt, nachdem Sie die Hebel gedrückt haben. Drücken Sie die „STOPP“-Taste auf der Fernbedienung oder dem Bildschirm, um diese laufenden Funktionen vollständig zu beenden.
- Auch bei Geräten mit moderner Elektronik ist die Umsicht des Piloten gefragt. Sicherheits- und Flughilfefunktionen wie Hinderniserkennung, präzises Landen und Landeschutz können Sie bei der Bedienung nur unterstützen, ersetzen aber nicht den Piloten. Umgebungsbedingungen wie Lichtverhältnisse und die Beschaffenheit der Hindernisse können die Funktion des Optiksystems beeinträchtigen.
- Legen Sie in der „DJI GO 4“-App für den Rückkehrflug eine Flughöhe fest, die höher als die umgebenden Hindernisse ist.
- Mit dem Landeschutz (erkennt bei einer Höhe von 2 Metern über dem Boden, ob der Untergrund zum Landen geeignet ist) optimieren Sie Ihr Flugergebnis. Seien Sie bei der Steuerung des Fluggeräts trotzdem stets wachsam, da das Optiksystem in manchen Situationen (z. B. bei schwachem Licht oder bei unklaren Oberflächen) versagen und die Untergrunderkennung ausfallen kann.

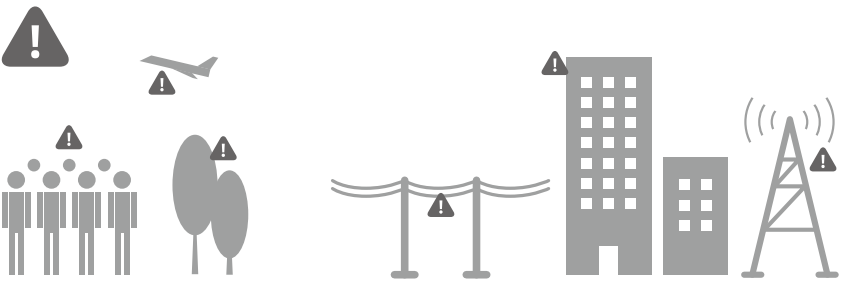
4. Pflege und Wartung

- Alte, beschädigte oder defekte Propeller dürfen NICHT verwendet werden.
- Empfohlene Lagertemperatur: zwischen 22 und 30 °C
- Weitere Informationen zum sicheren Gebrauch des Akkus finden Sie in den Sicherheitsvorschriften zur Intelligent Flight Battery.

5. Regionale Gesetze und Bestimmungen einhalten

- Fliegen Sie NIEMALS in Flugverbotszonen. Relevante Informationen zu diesen Bereichen finden Sie auf <http://flysafe.dji.com/>. Vollständige Listen und Vorschriften zu Flugverbotszonen sind bei den lokalen Luftfahrtbehörden zu erfragen.
- Die Flughöhenbeschränkungen sind je nach Gesetzgebung vor Ort unterschiedlich. Fliegen Sie NICHT höher als die maximale Höhe, die in den lokalen Gesetzen und Vorschriften festgelegt ist.
- Fliegen Sie nicht in Bereichen, in denen Rettungsmannschaften arbeiten.

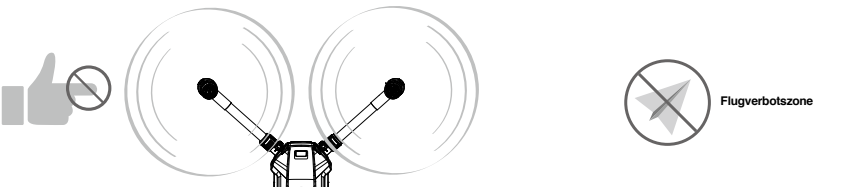
* Die Flughöhenbeschränkungen sind je nach Gesetzgebung vor Ort unterschiedlich. Fliegen Sie NICHT höher als die maximale Höhe, die in den lokalen Gesetzen und Vorschriften festgelegt ist.



Fliegen Sie nicht über oder in der Nähe von Menschenansammlungen, Bäumen oder Flughäfen. Starke elektromagnetische Störquellen wie Stromleitungen, Mobilfunkantennen oder große Gebäude können die Funktion des Kompasses beeinträchtigen. Wir empfehlen die Verwendung des Matrice 210-RTK. Achten Sie während des Fluges stets genau auf Ihre Umgebung.



Fliegen Sie NICHT bei widrigem Wetter (z. B. Regen, Schnee, Nebel oder Windgeschwindigkeiten über 10 m/s).



Halten Sie ausreichend Abstand zu den drehenden Propellern und Motoren.

Mehr Informationen:
<http://flysafe.dji.com/ho-fly>

HINWEIS

Sämtliche Anweisungen und alle weiteren begleitenden Dokumente können im Ermessen von SZ DJI TECHNOLOGY CO., LTD („DJI“) jederzeit geändert werden. Aktuelle Produktinformationen finden Sie auf <http://www.dji.com> auf der Produktpräsentationsseite.

Glossar

Hier aufgeführten Bezeichnungen kommen im gesamten Dokument vor und beschreiben potenzielle Gefahrenquellen unterschiedlichen Schweregrads, die im Betrieb dieses Produkts entstehen können:

HINWEIS: Bezieht sich auf Vorgehensweisen, die bei Nichtbeachtung zu Sachschäden UND ggf. zu geringfügigen Personenschäden führen können.

ACHTUNG: ACHTUNG: Bei Nichtbeachtung der Vorgaben besteht eine erhöhte Gefahr von Sachschäden und die Gefahr von Personenschäden.

WARNUNG: Bezieht sich auf Vorgehensweisen, die bei Nichtbeachtung zu Sachschäden, Nebenschäden und schweren Personenschäden führen ODER sehr wahrscheinlich zu schweren Verletzungen führen.



WARNUNG

Bitte lesen Sie vor dem Gebrauch die **GESAMTE** Bedienungsanleitung durch, und machen Sie sich mit den Eigenschaften und Funktionen des Produkts vertraut. Wenn das Produkt nicht gemäß Bedienungsanleitung verwendet wird, können Sachschäden am Produkt und persönlichem Eigentum oder schwere Verletzungen die Folge sein.

Dieses Produkt arbeitet mit komplexer Technik. Es sollte mit Vorsicht und gesundem Menschenverstand betrieben werden. Die Bedienung erfordert grundlegende motorische Fähigkeiten. Unsachgemäße Bedienung kann zu Sach- oder Personenschäden führen. Dieses Produkt darf nicht von Kindern betrieben werden. Der Betrieb mit inkompatiblen Anbauteilen sowie technische Veränderungen an dem Produkt sind NICHT zulässig, sofern nicht anderweitig durch entsprechende Dokumente von SZ DJI TECHNOLOGY CO., LTD gestattet. Diese Sicherheitsvorschriften enthalten Anweisungen zu sicherem Betrieb, Bedienung und Pflege des Produkts. Bitte lesen, beachten und befolgen Sie unbedingt sämtliche Anweisungen und Warnhinweise in der Bedienungsanleitung, bevor Sie das Produkt zusammenbauen, einrichten oder betreiben. Nur so ist gewährleistet, dass Sie das Produkt sicher und ordnungsgemäß bedienen können und Sachschäden bzw. schwere Personenschäden vermieden werden.

ALTERSEMPFEHLUNG: FÜR PERSONEN UNTER 18 JAHREN NICHT GEEIGNET. KEIN SPIELZEUG!

Checkliste für die Flugvorbereitung

1. Vergewissern Sie sich, dass am Fluggerät ausschließlich Originalteile verbaut und alle Komponenten in neuwertigem Zustand sind.
2. Vergewissern Sie sich, dass die Akkus für Fernbedienung und Mobilgerät sowie die Intelligent Flight Battery vollständig geladen sind.
3. Vergewissern Sie sich vor dem Einschalten, dass die Kameralinse nicht mit Fremdkörpern besetzt ist, die Micro-SD-Karte im Fluggerät steckt und der Gimbal frei drehen kann.
4. Vergewissern Sie sich, dass die Propeller und Montageplatten sicher an den Motoren befestigt sind, sich starten lassen und einwandfrei funktionieren.
5. Kalibrieren Sie den Kompass gemäß den Anweisungen auf dem Bildschirm.
6. Vergewissern Sie sich, dass die „DJI GO 4“-App und die Firmware des Fluggeräts auf dem aktuellen Stand sind.
7. Vergewissern Sie sich, dass der Flugbereich außerhalb jeglicher Flugverbotszonen liegt und die Umgebung alle Voraussetzungen für den sicheren Flugbetrieb erfüllt.
8. Betreiben Sie das Fluggerät nicht unter dem Einfluss von Alkohol, Drogen und anderen Substanzen, die Ihre kognitiven Fähigkeiten einschränken können.
9. Sie müssen mit dem ausgewählten Flugmodus sowie mit allen Sicherheits- und Warnfunktionen vertraut sein.
10. Beachten Sie unbedingt alle regionalen Vorschriften, beschaffen Sie die erforderlichen Genehmigungen, und machen Sie sich alle Risiken bewusst. NICHT VERGESSEN: Sie allein sind für die Einhaltung aller relevanten Vorschriften verantwortlich!

11. BEHALTEN SIE DAS FLUGGERÄT JEDERZEIT IM BLICK. Verlassen Sie sich beim Steuern des Fluggeräts NICHT auf die FPV-Kamera für die Ich-Perspektive (First-Person-View).
12. Vergewissern Sie sich, dass die „DJI GO 4“-App korrekt gestartet wurde, um Sie bei der Steuerung Ihres Flugzeugs zu unterstützen. Ohne die von der „DJI GO 4“-App aufgezeichneten Flugdaten ist DJI™ unter bestimmten Umständen (auch bei Verlust des Flugzeugs) nicht in der Lage, Ihnen Service-Unterstützung anzubieten oder Haftung zu übernehmen.

Haftungsausschluss und Warnhinweis

Bei diesem Produkt handelt es sich um kein Spielzeug. Für Personen unter 18 Jahren ist das Produkt nicht geeignet. Als volljährige Person sind Sie dafür verantwortlich, das Flugzeug außerhalb der Reichweite von Kindern aufzubewahren. Beim Betrieb des Fluggeräts in der Anwesenheit von Kindern ist höchste Vorsicht geboten.

Das Produkt arbeitet zwar mit moderner Elektronik, kann bei unsachgemäßer Verwendung allerdings Sach- und Personenschäden verursachen. Bitte lesen Sie vor dem ersten Gebrauch des Produkts die Begleitdokumentation durch. Die Dokumente werden mit dem Produkt geliefert und können auch auf der DJI-Produktseite (<http://www.dji.com>) heruntergeladen werden.

Hier enthaltenen Informationen betreffen Ihre persönliche Sicherheit sowie Ihre gesetzlichen Rechte und Verpflichtungen. Bitte lesen Sie das gesamte Dokument aufmerksam durch, um das Produkt für den Betrieb ordnungsgemäß einrichten zu können. Bei Nichtbeachtung dieser Anweisungen und Warnhinweise können der Verlust des Produkts, schwere Personenschäden oder Sachschäden am Fluggerät die Folge sein.

Mit dem Gebrauch des Produkts bestätigen Sie, dass Sie diesen Haftungsausschluss aufmerksam gelesen und den Inhalt verstanden haben, und erklären Ihr Einverständnis mit den Bedingungen. SOFERN NICHT AUSDRÜCKLICH IN DEN KUNDENDIENSTRICHTLINIEN (SIEHE [HTTP://WWW.DJI.COM/SERVICE/POLICY](http://www.dji.com/service/policy)) ANGEZEIGT, WERDEN DAS PRODUKT SOWIE ALLE DARÜBER ZUGÄNGLICHEN MATERIALIEN UND INHALTE ENTSPRECHEND DEM AKTUELLEN ENTWICKLUNGSSTAND UND OHNE AUSDRÜCKLICHE ODER STILLSCHWEIGENDE ZUSICHERUNGEN ODER BEDINGUNGEN BEREITGESTELLT. SOFERN NICHT AUSDRÜCKLICH ODER STILLSCHWEIGEND IN DEN KUNDENDIENSTRICHTLINIEN ANGEBEN, ÜBERNIMMT DJI KEINE HAFTUNG FÜR DAS PRODUKT, DAS PRODUKTZUBEHÖR UND DIE MATERIALIEN EINSCHLIESSLICH: (A) STILLSCHWEIGENDER ZUSICHERUNGEN ZU ALLGEMEINER GEBRAUCHSFÄHIGKEIT, EIGNUNG FÜR EINEN BESTIMMTEN ZWECK, VOLLSTÄNDIGKEIT, UNGESTÖRTEM BESITZ ODER NICHTVERLETZUNG DER RECHTE DRIETER; SOWIE (B) ZUSICHERUNGEN, DIE AUF DAS HANDELN, DEN GEBRAUCH ODER DEN AN- ODER VERKAUF ZURÜCKZUFÜHREN SIND. SOFERN NICHT AUSDRÜCKLICH IN DER BESCHRÄNKTEN DJI-GARANTIE ANGEZEIGT, SICHERT DJI NICHT ZU, DASS DAS PRODUKT, DAS PRODUKTZUBEHÖR, TEILE DES PRODUKTS ODER DIE MATERIALIEN UNTERBRECHUNGSFREI, GEFAHRLOS ODER FREI VON FEHLERN, VIREN ODER ANDEREN SCHÄDLICHEN BESTANDTEILEN ZU BETRIEBEN SIND, UND DASS SOLCHIE MÄNGEL BEHOHEN WERDEN.

KEINE BERATUNG ODER INFORMATION IN MÜNDLICHER ODER SCHRIFTLICHER FORM. DIE SIE AUS DEM PRODUKT, DEM PRODUKTZUBEHÖR ODER DEN MATERIALIEN ZIEHEN, KANN EINE ZUSICHERUNG BEZÜGLICH DJI ODER DEM PRODUKT ABGELIEFT WERDEN, DIE IN DIESEN NUTZUNGSBEDINGUNGEN NICHT AUSDRÜCKLICH ANGEBEN IST. SIE ÜBERNEHMEN DAS KOMPLETTE RISIKO FÜR JEDLICHE SCHÄDEN, DIE DURCH IHREN GEBRAUCH DES PRODUKTS, DES PRODUKTZUBEHÖRS ODER DER MATERIALIEN BZW. DEN ZUGRIFF DARAUF ENTSTEHEN. SIE BESTÄTIGEN, DASS SIE DAS PRODUKT NACH EIGEMEM ERMESSEN UND AUF EIGENES RISIKO VERWENDEN UND ALLEIN FÜR PERSONENSCHÄDEN, TODESFÄLLE, SACHSCHÄDEN AN EIGENEN (BEZIEHT SICH AUCH AUF DAS COMPUTERSYSTEM, DAS MOBILGERÄT ODER DIE DJI-HARDWARE, DIE SIE IN VERBINDUNG MIT DEM PRODUKT VERWENDEN) ODER FREMDEN GÜTERN SOWIE FÜR DATENVERLUSTE VERANTWORTLICH SIND, DIE AUF IHREN GEBRAUCH DES PRODUKTS BZW. AUF IHRE UNFÄHIGKEIT ZUM GEBRAUCH DES PRODUKTS ZURÜCKZUFÜHREN SIND.

IN MANCHEN GERICHTSBARKEITEN IST EIN GEWÄHRLEISTUNGS-AUSSCHLUSS NICHT ZULÄSSIG, SODASS IHREN JE NACH GERICHTSBARKEIT ANDERE RECHTE GEWÄHRT WERDEN.

DJI übernimmt keine Haftung für Sachschäden oder Personenschäden sowie keine juristische Verantwortung für Schäden, die direkt oder indirekt mit dem Gebrauch des Produkts in Zusammenhang stehen. Der Anwender richtet sich nach der sicheren, rechtskonformen Praxis, die zum Teil in den

vorliegenden Sicherheitsvorschriften festgelegt ist.

Daten speichern und abrufen

Beim Gebrauch unserer Apps, Produkte und Softwareprogramme werden Daten zu Nutzung und Betrieb des Produkts (z. B. Telemetriedaten wie Flugeschwindigkeit, Flughöhe, Akkulebensdauer oder Daten zu Gimbal und Kamera) und Betriebsprotokolle u. U. an DJI weitergeleitet. Das ins Produkt integrierte Speichergerät speichert verschiedene Daten (z. B. Telemetriedaten zu Ihren Flügen). Auch wenn Sie Ihre Daten manuell vom integrierten Speichergerät an uns senden, werden dabei u. U. auch Telemetriedaten zu Ihren Flügen übertragen.

Weitere Informationen entnehmen Sie den Datenschutzrichtlinien von DJI (unter <http://www.dji.com/policy>).

Vorbereitungen

Bei diesem Produkt handelt es sich um ein Fluggerät, das in einwandfreiem technischem Zustand (Beschreibung siehe unten) leicht zu bedienen ist. Die aktuellen Anweisungen und Warnhinweise zum Produkt finden Sie auf <http://www.dji.com>. Weitere Informationen zu Flugsicherheit und Einhaltung der einschlägigen Vorschriften finden Sie auf <http://knowbeforeyoufly.org/>. Wir haben mehrere Dokumente für Sie vorbereitet, die Sie beim sicheren und sachgemäßen Betrieb des Flugzeugs unterstützen:

Lieferumfang

Haftungsausschluss und Sicherheitsvorschriften
Sicherheitsvorschriften zur Intelligent Flight Battery
Kurzanleitung
Bedienungsanleitung

Prüfen Sie die Lieferung mithilfe der Checkliste Lieferumfang auf Vollständigkeit. Lesen Sie vor dem Flugbetrieb die Haftungsausschluss und Sicherheitsvorschriften. Bereiten Sie sich dann auf Ihren ersten Flug vor: Lesen Sie die Kurzanleitung, und schauen Sie sich auf der offiziellen DJI-Website (<http://www.dji.com>) unsere Tutorial-Videos an. Wenn Sie Fragen haben, schlagen Sie in der Bedienungsanleitung in der App oder auf der offiziellen DJI-Website nach. Dort finden Sie ausführliche Informationen. Machen Sie sich vor jedem Flug mit den Funktionen aller einzelnen Komponenten, mit den Anforderungen an die Flugumgebung, den wichtigsten Notfallwarnfunktionen und -systemen sowie allen staatlichen Vorschriften vertraut. Wenn bei Zusammenbau, Pflege oder Betrieb des Produkts Fragen oder Probleme auftreten, wenden Sie sich bitte an DJI oder einen DJI-Vertragshändler.

Einzelteile

Original- und Funktionsteile

⚠️ WARNUNG

Bitte beachten, um Defekte, schwere Personenschäden und Sachschäden zu vermeiden:

1. Nur DJI-Originalteile oder Teile mit DJI-Freigabe verwenden! Nicht freigegebene Teile oder Teile von Fremdherstellern können Systemstörungen verursachen und die Betriebssicherheit des Produkts beeinträchtigen.
2. Fluggerät innen und außen vor Fremdkörpern schützen (Wasser, Öl, Erde, Sand usw.)
3. Sicherstellen, dass das Fluggerät innen und außen (Fernbedienung, Kamera, Gimbal, Kompass, Antriebe und Akku) in einwandfreiem technischem Zustand, unversehrt und betriebsbereit ist. Ausführliche Informationen zur Funktionsprüfung dieser Komponenten finden Sie in den anderen Kapiteln dieses Dokuments.
4. Das Fluggerät und dessen Komponenten dürfen NICHT umgebaut oder verändert werden. Unbefugte Umbauten können Störungen zur Folge haben und die Funktionalität bzw. Betriebssicherheit des Fluggeräts beeinträchtigen.

Fernbedienung

HINWEIS

1. Vergewissern Sie sich vor jedem Flug, dass der Akku der Fernbedienung vollständig geladen ist.
2. Wenn die eingeschaltete Fernbedienung nicht benutzt wird, ertönt nach 5 Minuten ein Alarmsignal. Nach 6 Minuten schaltet sie selbsttätig ab. Um den Alarm zu beenden, bewegen Sie die Hebel, oder betätigen Sie eine beliebige andere Funktion der Fernbedienung.
3. Stellen Sie die Klemme des Mobilgeräthalters so ein, dass das Mobilgerät sicher gehalten wird.
4. Vergewissern Sie sich, dass das Mobilgerät fest im Halter sitzt und nicht verrutscht.

5. Damit die optimale Sendeleistung gewährleistet ist, fahren Sie die Antennen der Fernbedienung aus, und stellen Sie sie richtig ein.
6. Wenn die Fernbedienung defekt ist, muss sie repariert oder ggf. ersetzt werden. Durch Schäden an der Antenne wird die Sendeleistung der Fernbedienung stark beeinträchtigt.
7. Wenn Fernbedienung oder Empfänger ersetzt wurden oder eine zweite Fernbedienung verwendet werden soll, müssen Sie diese zunächst mit dem Fluggerät koppeln. Genauere Informationen finden Sie in der Bedienungsanleitung.
8. Schalten Sie unbedingt zuerst das Fluggerät ab (sobald dies gefahrlos möglich ist), und anschließend die Fernbedienung. Andernfalls kann es zum Verlust der Kontrolle über das Fluggerät kommen.
9. Aus Wartungsgründen muss der Akku mindestens alle drei Monate komplett aufgeladen werden.

Kompass

⚠️ ACHTUNG

Bitte beachten Sie Folgendes, um schwere Sach- und Personenschäden zu vermeiden:

Landen Sie sofort, wenn es im Flugbetrieb zu offensichtlicher Drift kommt (d. h. das Fluggerät nicht mehr gerade fliegt).

HINWEIS

Kalibrieren Sie den Kompass nur dann, wenn die „DJI GO 4“-App oder die Statusanzeige Sie dazu auffordern. Beachten Sie beim Kalibrieren Ihres Kompasses folgende Regeln:

1. Kalibrieren Sie den Kompass NICHT, wenn magnetische Störungen auftreten (z. B. Störungen durch Magnetit, in Parkgaragen bzw. anderen stahlverstärkten Anlagen).
2. Tragen Sie bei der Kalibrierung KEINE ferromagnetischen Teile bei sich (z. B. Mobiltelefone).
3. Die „DJI GO 4“-App fordert Sie dazu auf, ein Kompassproblem zu beheben, wenn der Kompass nach der Kalibrierung starken Interferenzen ausgesetzt ist. Befolgen Sie zur Bereinigung des Kompassproblems die Anweisungen auf dem Bildschirm.

Antrieb

⚠️ WARNUNG

Bitte beachten, um schwere Personenschäden durch die drehenden Propeller und Motoren zu vermeiden:

Propeller

1. Alte, beschädigte oder defekte Propeller dürfen NICHT verwendet werden.
2. Bevor Sie die Propeller berühren, schalten Sie das Fluggerät stets ab.
3. Achten Sie beim An- und Abbau der Propeller auf die scharfen Propellerkanten. Tragen Sie bei der Handhabung der Propeller Handschuhe oder andere Schutzkleidung.
4. Arbeiten Sie beim An- und Abbau der Propeller nach Möglichkeit mit Werkzeug (Schraubenschlüssel, Schraubendreher, Zange usw.).
5. Vergewissern Sie sich, dass die Propeller sicher befestigt sind, damit sie sich nicht von den Motoren lösen.
6. Schalten Sie die Motoren nicht ein, wenn die Propeller angebaut sind und sich Menschen oder Tiere in der unmittelbaren Nähe aufhalten!
7. Bei Verwendung von Propellern eines Fremdherstellers kann die Aerodynamik des Fluggeräts beeinträchtigt werden. Um den Flug zu optimieren und sicher zu gestalten, sollten Sie stets DJI-Originalpropeller verwenden.
8. Bei Temperaturen von 0 °C und tiefer reiben Sie die Propeller ab, und trocknen Sie sie vor jedem Flug, um zu verhindern, dass sie einfrieren.

Motoren

1. Vergewissern Sie sich, dass die Motoren sicher befestigt sind und frei drehen.
2. Technische Änderungen am Aufbau der Motoren sind untersagt!
3. Nach dem Flugbetrieb sind die Motoren u. U. heiß und dürfen nicht mit den Händen oder anderen Körperteilen in Berührung kommen!

⚠️ ACHTUNG

Bitte beachten Sie Folgendes, um schwere Sach- und Personenschäden zu vermeiden:

1. Verschließen Sie nicht die Belüftungsöffnungen an den Motoren!
2. Verschließen Sie NICHT die Belüftungsöffnungen an den Armen des Fluggeräts.

HINWEIS

Motoren

1. Schützen Sie die Motoren vor Staub.
2. Wenn ein Motor klemmt und nicht mehr frei dreht, stellen Sie sofort

beide Steuerhebel gleichzeitig nach unten in die Mitte, um die Motoren anzuhalten.

Elektronische Drehzahlregler

Beim Einschalten müssen die elektronischen Drehzahlregler normal klingen.

„DJI GO 4“-App

HINWEIS

- Vor dem Start der App muss der Tablet-PC bzw. das Mobilgerät vollständig geladen sein.
- Für die Nutzung der „DJI GO 4“-App werden Mobilfunkzellendaten benötigt. Datenlärme erfragen Sie bitte bei Ihrem Mobilfunkanbieter.
- Falls Sie ein Telefon als Anzeigerät nutzen, lassen Sie sich durch eventuell eingehende Anrufe nicht vom sicheren Fliegen ablenken! Nehmen Sie während eines Fluges KEINE Anrufe entgegen.
- Lesen Sie alle angezeigten Sicherheitshinweise, Warnhinweise und Haftungsausschlüsse aufmerksam durch. Machen Sie sich mit den entsprechenden Vorschriften in Ihrer Region vertraut. Sie allein sind verantwortlich für die Einhaltung aller einschlägigen Vorschriften und für das entsprechende Flugverhalten.
 - Lesen Sie aufmerksam alle Warnhinweise, bevor Sie die automatische Start- bzw. Landefunktion nutzen.
 - Lesen Sie aufmerksam alle Warnhinweise, bevor Sie einen neuen Startpunkt aufzeichnen.
 - Lesen Sie aufmerksam die Warnhinweise und den Haftungsausschluss, bevor Sie die geregelte Flughöhenbegrenzung überschreiten.
 - Lesen Sie aufmerksam die Warnhinweise und den Haftungsausschluss, bevor Sie in einen anderen Flugmodus schalten.
- Wenn in der App eine Alarmmeldung angezeigt wird, muss das Fluggerät sofort an einer sicheren Stelle gelandet werden!
- Prüfen Sie vor jedem Flug alle Warnhinweise in der angezeigten Checkliste der App.
- Wenn Sie das Fluggerät zum ersten Mal steuern oder NICHT ausreichend Erfahrung für die souveräne Bedienung des Fluggeräts haben, üben Sie das Fliegen mit dem Flugsimulator in der App.
- Speichern Sie vor jedem Flug die Kartendaten des geplanten Einsatzgebiets, indem Sie eine Verbindung zum Internet herstellen.
- Die App soll Sie bei der Bedienung unterstützen. Bitte verwenden Sie das Fluggerät mit der nötigen Umsicht, und verlassen Sie sich bei der Bedienung keinesfalls allein auf die App.
- Ihre Verwendung der App unterliegt den Nutzungsbedingungen der „DJI GO 4“-App und den Datenschutzrichtlinien von DJI. Bitte lesen Sie die entsprechenden Angaben in der App.

Firmware

⚠️ WARNUNG

Bitte beachten, um schwere Verletzungen bei Kindern und Tieren zu vermeiden:

Sorgen Sie beim Aktualisieren der Firmware, beim Kalibrieren und beim Einstellen der Parameter stets dafür, dass Kinder und Tiere ausreichend Sichtensicht abstand einhalten.

HINWEIS

- Aus Sicherheitsgründen muss die Firmware immer aktualisiert werden, sobald in der „DJI GO 4“-App ein Upgrade angekündigt wird.
- Über neue Firmware-Updates werden Sie benachrichtigt. Lesen und verinnerlichen Sie die angezeigten Informationen. Weiterhin erklären Sie sich einverstanden, dass die Daten (insbesondere Flugtelemetriedaten und Anwenderauswahlprotokolle) ggf. auf einen von DJI betriebenen Server hochgeladen und dort gepflegt werden.
- Nach der Aktualisierung der Fluggeräte-Firmware muss unbedingt auch die Firmware der Fernbedienung aktualisiert werden.
- Nach der Aktualisierung wird die Verbindung zwischen Fernbedienung und Fluggerät möglicherweise getrennt. Koppeln Sie die Fernbedienung wieder mit dem Fluggerät.
- Prüfen Sie vor der Durchführung des Firmware-Updates unbedingt alle Anschlüsse, und bauen Sie die Propeller von den Motoren ab.

Kamera (optional)

⚠️ WARNUNG

Bitte beachten Sie Folgendes, um schwere Sach- und Personenschäden zu vermeiden:

Verschließen oder blockieren Sie NIEMALS die Belüftungsöffnungen an der Kamera. Durch die im Betrieb entstehende Wärme können Personenschäden oder Sachschäden entstehen.

HINWEIS

- Prüfen Sie vor dem Betrieb die Kameraeinstellungen, und passen Sie sie ggf. nach Ihren Wünschen an.
- Prüfen Sie die Funktion der Kamera mithilfe von Testaufnahmen. Stellen Sie den einwandfreien Betrieb sicher, bevor Sie wichtige Fotos oder Videos aufnehmen.
- Bei eingeschaltetem Fluggerät darf die Micro-SD-Karte NICHT abgezogen werden.
- Fotos und Videos können nur bei eingeschalteter Intelligent Flight Battery aus dem Fluggerät exportiert werden.
- Richten Sie sich beim Ausschalten der Intelligent Flight Battery nach den Vorgaben. Andernfalls werden Ihre Kameraeinstellungen nicht gespeichert, und die aufgezeichneten Videos können beschädigt werden.
- DJI übernimmt keine Verantwortung für Schäden an Bildern oder Videos, die nicht maschinenlesbar aufgezeichnet wurden/wurden.

Gimbal (optional)

HINWEIS

- Bei Kollisionen und Stößen können die Präzisionssteile im Gimbal beschädigt werden, sodass der Gimbal unter Umständen nicht mehr einwandfrei funktioniert.
- Schützen Sie den eingeschalteten Gimbal vor äußerer Krafteinwirkung.
- Belasten Sie den Gimbal NICHT mit zusätzlichem Gewicht, da er sonst in seiner Funktion gestört oder eventuell der Motor beschädigt wird.
- Der Gimbal und der Gimbal-Anschluss sind sehr empfindlich. Handhaben Sie beide Teile mit großer Vorsicht. Berühren Sie den Gimbal-Anschluss NICHT, da jegliche Beschädigungen eine Funktionsstörung nach sich ziehen.
- Halten Sie den Gimbal beim An- und Abbauen gut fest, damit er nicht zu Boden fällt.
- Der Gimbal darf NICHT befestigt oder entfernt werden, während das Fluggerät hochfährt.
- Einfache und Doppelgimbals sollten separat verwendet werden.
- Wenn Sie einen einfachen nach oben gerichteten und einen nach unten gerichteten Doppelgimbal verwenden, befolgen Sie unbedingt die Anweisungen in der Betriebsanleitung, und bringen Sie nur kompatible Gimbal auf die korrekte Art und Weise an, da es sonst zu einem Ausfall der Bildübertragung kommen kann.

Pflege des Produkts

Lagerung und Transport

⚠️ WARNUNG

Bitte beachten, um schwere Verletzungen bei Kindern und Tieren zu vermeiden:

Kleinteile wie Kabel und Gurte können bei Verschlucken eine Gefahr darstellen. Bewahren Sie alle Teile außerhalb der Reichweite von Kindern und Tieren auf.

HINWEIS

- Lagern Sie die Intelligent Flight Battery und die Fernbedienung an einem kühlen, trockenen Ort ohne direkte Sonneneinstrahlung, damit der integrierte LiPo-Akku nicht überhitzt. Empfohlene Lagertemperatur bei über drei Monaten Lagerdauer: 22 bis 30 °C. Lagern Sie das Gerät nicht unter -20 °C oder über 45 °C.
- Die Kamera darf nicht mit Wasser und anderen Flüssigkeiten in Berührung kommen. Sollte es einmal nass werden, wischen Sie sie mit einem weichen, saugfähigen Lappen trocken. Sollte das Fluggerät ins Wasser fallen und wird dann eingeschaltet, können dauerhafte Schäden an den Komponenten die Folge sein. Verwenden Sie beim Reinigen und Pflegen der Kamera keine Mittel mit Alkohol, Benzol, Verdünnern oder anderen brennbaren Substanzen. Die Kamera darf NICHT in feuchten oder staubigen Umgebungen gelagert werden.
- Demontieren Sie den Gimbal, wenn Sie das Gerät längere Zeit lagern oder über weite Strecken transportieren wollen.
- Schließen Sie das Produkt NICHT an USB-Ports an, die älter sind als V2.0. Verbinden Sie das Produkt NICHT mit PowerUSB-Geräten o. Ä.

Pflege und Wartung

HINWEIS

- Kontaktieren Sie nach jedem Absturz oder Aufprall ein von DJI empfohlenes Service Center zur Inspektion und ggf. Reparatur des Produkts. Die Verwendung eines beschädigten Fluggeräts ist sehr gefährlich und kann körperliche sowie Sachschäden zur Folge haben.
- Der Akku kann für drei Monate gelagert werden, wenn der Ladestand zwischen 40 % und 65 % ist. Aus Wartungsgründen muss der Akku mindestens alle drei Monate komplett entladen und

wieder aufgeladen werden.

- Wegen der Sicherheit und Zuverlässigkeit des Geräts wird empfohlen, alle 50 Flugstunden eine Wartung durchführen zu lassen.

Anforderungen an die Flugumgebung

Witterung und Umgebung

⚠️ WARNUNG

Das Fluggerät ist auf den Betrieb bei günstigen bis mäßigen Wetterverhältnissen ausgelegt. Bitte beachten, um Kollisionen sowie schwere Personen- und Sachschäden zu vermeiden:

- Betreiben Sie das Fluggerät nicht bei widrigen Wetterverhältnissen (Windgeschwindigkeiten ab 10 m/s, Schnee, Regen, Smog, Sturm, Hagel, Gewitter, Tornados, Hurrikans oder ähnliche Unwetter).
- Halten Sie mit dem Fluggerät beim Fliegen mindestens 10 Meter Sicherheitsabstand zu Hindernissen, Menschen, Tieren, Gebäuden, öffentlichen Infrastrukturen, Bäumen und Gewässern ein. Mit zunehmender Flughöhe sollten Sie den Sicherheitsabstand zu den genannten Hindernissen vergrößern.
- Beim Betrieb des Fluggeräts in Innenräumen ist besondere Vorsicht geboten! Einige Funktionen des Fluggeräts (besonders die Stabilisierungsfunktion) können beeinträchtigt sein.
- Aktivieren Sie bei Innenflügen unbedingt das optische System. Bitte beachten Sie, dass das optische System beim Überfliegen von Gewässern und Oberflächen ohne deutliche Konturen oder bei geringer Lichtstärke teilweise nicht einwandfrei funktioniert.

HINWEIS

- Die Leistung des Fluggeräts und der Batterie ist abhängig von Umgebungsbedingungen wie Luftdichte und Lufttemperatur.
 - Betreiben Sie das Fluggerät NICHT, wenn die Außentemperatur außerhalb des empfohlenen Bereichs von -20 bis 45 °C liegt.
- Betreiben Sie das Fluggerät NICHT in der Nähe von Unfallstellen, Bränden und Feuerstellen, Explosionen, Überschwemmungen, Tsunamis, Lawinen-, Erdstürsch- und Erdbebengebieten, hohem Sandaufkommen oder Sandstürmen.

Störungen durch Kommunikationssysteme

HINWEIS

- Prüfen Sie, ob Teile des Fluggeräts getroffen bzw. beschädigt wurden. Kontaktieren Sie bei Bedarf den DJI-Support oder die autorisierten Händler.
- Fliegen Sie in offenen Bereichen. Hohe Gebäude und Stahlbauten können den Kompass stören und das GPS-Signal abschatten.
- Vermeiden Sie Interferenzen zwischen Fernbedienung und anderen Funkgeräten. Schalten Sie die WiFi-Funktion Ihres Mobilgeräts ab.
- Seien Sie besonders aufmerksam beim Fliegen in der Nähe von Gebieten mit starker magnetischer oder Funkwellenbelastung. In solchen Gebieten wird der Einsatz des M210-RTK empfohlen. Dazu gehören unter anderem: Hochspannungsleitungen, große Lastverteilerwerke oder mobile Basisstationen und Funkmasten. Andernfalls kann die Sendeleistung des Produkts beeinträchtigt werden, oder es können Störungen in der Übertragung der Signale von Fernbedienung und Videosystem die Folge sein, sodass Fluglage und Positionsgenauigkeit beeinträchtigt werden. In Bereichen mit zu starker Signalstörung verhält sich das Fluggerät möglicherweise ungewöhnlich oder lässt sich nicht mehr einwandfrei steuern.

Verantwortungsvoller Umgang mit dem Fluggerät

⚠️ WARNUNG

Bitte beachten, um schwere Sach- und Personenschäden zu vermeiden:

- Beim Betrieb des Fluggeräts dürfen Sie nicht unter dem Einfluss von Alkohol, Drogen oder Betäubungsmitteln stehen oder durch Schwindel, Ermattung, Übelkeit oder ähnliche physische/mentale Zustände, die den sicheren Betrieb des Fluggeräts gefährden, beeinträchtigt sein.
- Wenn Sie den linken Hebel in die innere, untere Ecke ziehen und gleichzeitig die Rückkehrtaste (RTH) drücken, wird der Motor in der Luft abgeschaltet. Die Landefunktion des Fluggeräts wird dabei nicht ausgelöst. Die oben beschriebene Hebel-Tasten-Kombination darf NUR in Notfällen ausgeführt werden. Diese Funktion ist standardmäßig deaktiviert. Sie können diese Hebel-Tasten-Kombination in der „DJI GO 4“-App aktivieren.
- Schalten Sie nach der Landung zunächst das Fluggerät und erst dann die Fernbedienung aus.
- Gefährliche oder andere Gegenstände, die Sach- und Personenschäden verursachen können, dürfen nicht mithilfe des Fluggeräts auf Gebäude, Personen oder Tiere fallen gelassen, geschossen, gefeuert oder anderweitig geworfen werden.

- Verwenden Sie NIEMALS ein Fluggerät, das einen Unfall hatte, versehentlich einem Aufprall ausgesetzt war oder sich nicht in einem guten Zustand befindet.

HINWEIS

- Bereiten Sie sich mithilfe von Notfallplänen ausreichend auf eventuelle Notfälle vor.
- Erstellen Sie vor dem Fliegen einen Flugplan, und verhalten Sie sich im Flugbetrieb verantwortungsvoll.
- Achten Sie beim Gebrauch der Kamera stets die Privatsphäre anderer Menschen. Halten Sie alle regionalen Gesetze zum Schutz des Persönlichkeitsrechts, alle Vorschriften und die ethischen Grundsätze ein.
- Verwenden Sie das Produkt ausschließlich für den allgemeinen persönlichen Gebrauch. Verwenden Sie es NICHT für illegale oder unangemessene Zwecke (z. B. Spionage, Militäreinsätze oder unbefugte Ermittlungen).
- Verwenden Sie das Produkt NICHT, um andere Personen zu diffamieren, missbrauchen, belästigen, verfolgen, bedrohen oder andere Rechtsverstöße zu begehen (z. B. gegen das Recht auf Privatsphäre und persönliche Würde).
- Begehen Sie keinen Land- oder Hausfriedensbruch.

Flugmodi, Funktionen und Warnhinweise

Flugmodi

⚠️ WARNUNG

Bitte beachten, um schwere Sach- und Personenschäden zu vermeiden: Schalten Sie aus dem Modus „P“ nur dann direkt in den Modus „A“ oder „S“, wenn Sie mit dem Verhalten des Fluggeräts in allen Flugmodi vertraut sind. Ohne GPS kann das sichere Landen des Fluggeräts problematisch sein.

HINWEIS

Der Modus „P“ oder der Modus „S“ ist für die meisten Flugsituationen optimal geeignet. Der Modus „A“ kann gewählt werden, wenn der Modus „P“ oder der Modus „S“ nicht verfügbar ist. Wenn Sie im Modus „A“ fliegen, seien Sie besonders vorsichtig, da in diesem Modus einige Funktionen nicht verfügbar sind. Beim Flugbetrieb in Innenräumen bleibt das Fluggerät über Oberflächen ohne deutliche Konturen nicht präzise im Schwebeflug. Eine ausführliche Beschreibung der Kriterien für den Flugbetrieb in Innenräumen finden Sie im Kapitel „Optiksystem und Infrarotsensorysystem“.

- Modus „P“ (Positionsbestimmung):** Der Modus „P“ sollte gewählt werden, wenn das GPS-Signal ausreichend stark ist. Das Fluggerät nutzt GPS und das Vision-System, um sich automatisch zu stabilisieren, zwischen Hindernissen zu navigieren und ein sich bewegendes Objekt zu fixieren. In diesem Modus sind erweiterte Funktionen wie TapFly und ActiveTrack aktiviert.
- Modus „S“ (Sport):** Was die allgemeinen Einstellungen angeht, sind der Modus „S“ und der Modus „P“ identisch, allerdings werden im Modus „S“ die Handlungseigenschaften des Fluggeräts so angepasst, dass die Manövrierfähigkeit erheblich verbessert wird. Die Maximalgeschwindigkeit des Fluggeräts ist in diesem Modus höher.
- Modus „A“ (Attitude/Fluglage):** Wenn weder GPS noch das Vision-System verfügbar sind, nutzt das Fluggerät lediglich ein Barometer zur Positionsbestimmung und zum Steuern der Flughöhe.

Wenn Sie beabsichtigen, in einem Modus ohne GPS-Aktivität zu schalten (z. B. Modus „A“), müssen Sie zunächst den angezeigten Haltungsauschluss bestätigen, um diese Funktion zu aktivieren. Wenn diese Funktion aktiviert ist, erklären Sie sich weiterhin einverstanden, dass die Daten (insbesondere Flugtelemetriedaten und Funktionsprotokolle) ggf. auf einen von DJI betriebenen Server hochgeladen und dort gepflegt werden.

Ausfallsicherung und Rückkehrfunktion

HINWEIS

- Die Rückkehrfunktion ist bei zu schwachem GPS-Signal (GPS-Anzeige zeigt weniger als drei Balken) oder deaktivierter GPS-Funktion nicht abrufbar.
- Statt die Fernbedienung auszusuchen, drücken Sie die Rückkehrtaste an der Fernbedienung, um den Rückkehrflug einzuleiten.
- Hohe Gebäude können die Ausfallsicherung beeinträchtigen. Bitte beachten Sie beim Rückkehrflug durch Anpassen von Fluglage, Flughöhe und Flugeschwindigkeit etwaigen Hindernissen aus. Wenn bei der sicherheitsbedingten Rückkehr der linke Steuerhebel bewegt wird und das Fluggerät über 20 Meter steigt, bricht das Fluggerät sofort den Steigflug ab und fliegt den Startpunkt an.
- Halten Sie das Fluggerät stets innerhalb der Sendereichweite der Fernbedienung.

- Verwenden Sie die Ausfallsicherungs- und die Rückkehrfunktionen nur im Notfall. Diese Funktionen können durch das Wetter, die Umgebung und Magnetfelder in der Nähe beeinflusst werden.
- Unter schlechten Lichtverhältnissen erkennt das Fluggerät während der sicherheitsbedingten Rückkehr keine Hindernisse. Aus diesem Grund ist es wichtig, vor jedem Flug eine angemessene Flughöhe für die Rückkehr anzugeben.
- Sofern es die Akkuladung zulässt, kehrt das Fluggerät bei der sicherheitsbedingten Rückkehr zunächst zu dem Ort zurück, an dem es den letzten Kontakt zur Fernbedienung hatte. Daher kann es sein, dass sich das Fluggerät zunächst von Ihrem Standort entfernt und erst dann zum Startpunkt zurückkehrt.

Schwache Akkuladung

HINWEIS

- Wenn die Warnung „Akkuladenzustand sehr niedrig“ angezeigt wird und das Fluggerät den Sinkflug zur selbsttätigen Landung antritt, können Sie das Fluggerät durch Hochschieben des Gashebels im Schwebeflug halten und an einen besser geeigneten Landeplatz führen.
- Wenn eine Warnung zur Akkuladung ausgelöst wird, fliegen Sie sofort den Startpunkt an, oder landen Sie das Fluggerät, damit der Akku nicht im Flug entladen wird und in der Folge Sach- oder Personenschäden entstehen.

D-RTK (für M210-RTK)

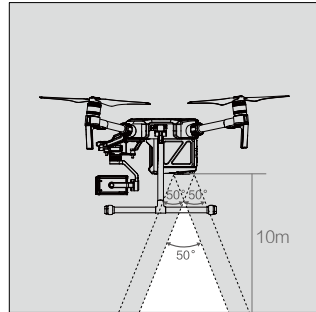
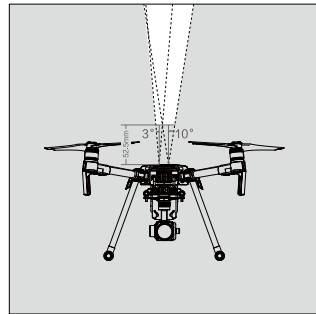
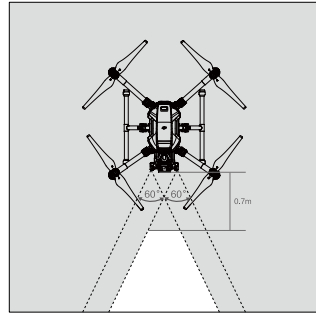
HINWEIS

- Nur DJI-Originalteile oder Teile von DJI-Freigabe verwenden! Nicht freigegebene Teile oder Teile von Fremdherstellern können Systemstörungen verursachen und die Betriebssicherheit des Produkts beeinträchtigen.
- Betreiben Sie das Produkt im Freien in einer Umgebung, in der keine Funkstörsignale auftreten. Die Antennen sollten sich bei der Benutzung auf der gleichen Höhe befinden und sich nicht behindern.
- Biegen Sie das Antennenkabel NICHT übermäßig, und knicken Sie es NICHT.
- Stellen Sie sicher, dass das D-RTK™ und seine Bauteile keine Verunreinigungen aufweisen (z. B. Wasser, Öl, Erde, Sand).

Sichtsystem und Infraroterkennung

HINWEIS

- Das Sichtsystem ist nur über Flächen mit stark wechselhaftem Muster funktionstüchtig. Das Sichtsystem funktioniert nur auf 0,3 bis 10 Metern Flughöhe.
- Beim Überfliegen von Gewässern funktioniert das optische System unter Umständen nicht richtig.
- Bei aktiviertem Sichtsystem sind Haustiere vom Fluggerät fernzuhalten, da die Sonarsensoren einen hochfrequenten Ton aussenden, der für einige Haustiere hörbar ist.
- Steuern Sie das Fluggerät in folgenden Situationen mit erhöhter Vorsicht:
 - beim Überfliegen einfarbiger Flächen (z. B. nur schwarz, nur weiß, nur rot, nur grün)
 - beim Überfliegen stark reflektierender Flächen
 - bei hohen Fluggeschwindigkeiten (schneller als 14 m/s auf 2 Metern Flughöhe oder schneller als 5 m/s auf 1 Meter Flughöhe)
 - beim Überfliegen von Gewässern oder durchsichtigen/durchscheinenden Flächen
 - beim Überfliegen beweglicher Flächen und Objekte
 - in Bereichen mit häufigem oder starkem Lichtwechsel
 - beim Überfliegen sehr dunkler (< 15 lux) oder heller (> 10.000 lux) Flächen
 - beim Überfliegen schallschluckender Flächen (dicker Teppich usw.)
 - beim Überfliegen von Flächen ohne deutliche Muster oder Konturen
 - beim Überfliegen von Flächen mit sich wiederholenden Mustern oder Konturen (z. B. Fliesen mit identischem Dekor)
 - beim Überfliegen von Hängen, an denen die Schallwellen abgelenkt werden
- Bei kleinen Hindernissen (mit geringerer Infrarot-Reflexionsenergie) wird die Verbindung zur Fernbedienung unterbrochen wird und gleichzeitig die GPS-Verbindung schwach ist (also kein Startpunkt erkannt wird), bleibt das Fluggerät 8 Sekunden lang im Schwebeflug und landet dann automatisch, sofern es sich im Modus „P“ befindet.
- Nach einem Absturz des Fluggeräts muss das Sichtsystem neu kalibriert werden. Kalibrieren Sie das Sichtsystem, wenn Sie durch die „DJI GO 4“-App dazu aufgefordert werden.
- Bitte beachten Sie die Totwinkel (grau) des Sichtsystems und des Infrarotsensorsystems.



Das nach unten gerichtete Optiksysteem dient nur der Positionsbestimmung.

- Bei aktivem Sichtsystem dürfen keine weiteren Ultraschallgeräte mit ca. 40 kHz Frequenz betrieben werden. Halten Sie die Sensoren stets sauber. Die Sensoren dürfen NICHT manipuliert werden.
- Sichtsystem und Infraroterkennung können das Fluggerät ab 14 m/s Fluggeschwindigkeit nicht rechtzeitig vor einem Hindernis abbremsen oder anhalten.

TapFly

ACHTUNG

Bitte beachten Sie die folgenden Richtlinien, um schwere Sach- und Personenschäden zu vermeiden:

- Lassen Sie das Fluggerät NICHT auf Menschen, Tiere, kleine und dünne Objekte (z. B. Zweige oder Leitungen) oder durchsichtige Objekte (z. B.

- Wasser und Glas) zu liegen.
2. Achten Sie auf mögliche Hindernisse in Ihrer direkten Umgebung (vor allem hinter dem oder links bzw. rechts vom Fluggerät), und vermeiden Sie diese, um Unfälle zu vermeiden.
 3. Seien Sie bereit im Notfall, die Kontrolle über das Fluggerät zu übernehmen, indem Sie die Steuerhebel der Fernbedienung benutzen oder TapFly über die Stoppaste auf der Fernbedienung oder dem Bildschirm deaktivieren.

HINWEIS

1. Die tatsächliche Flugroute kann von der von Ihnen erwarteten TapFly-Route abweichen.
2. Der Auswahlbereich auf dem Bildschirm ist begrenzt. Nahe des oberen oder unteren Bildschirmrands können Sie keine TapFly-Zielauswahl vornehmen.
3. Über Wasser oder Schnee funktioniert, der TapFly-Modus möglicherweise NICHT problemfrei.
4. Seien Sie besonders achtsam, wenn Sie bei extremer Dunkelheit (< 300 lux) oder extremer Helligkeit (> 10.000 lux) fliegen.

ActiveTrack

Bitte beachten Sie die folgenden Richtlinien, um schwere Sach- und Personenschäden zu vermeiden:

1. Stellen Sie sicher, dass sich entlang der Flugbahn keine Menschen, Tiere, kleine und dünne Objekte (z. B. Zweige oder Leitungen) oder durchsichtige Objekte (z. B. Wasser und Glas) befinden.
2. Achten Sie auf mögliche Hindernisse in Ihrer direkten Umgebung (vor allem hinter dem oder links bzw. rechts vom Fluggerät), und vermeiden Sie diese, um Unfälle zu vermeiden.
3. Seien Sie bereit im Notfall, die Kontrolle über das Fluggerät zu übernehmen, indem Sie die Steuerhebel der Fernbedienung benutzen oder ActiveTrack über die Stoppaste auf der Fernbedienung oder dem Bildschirm deaktivieren.

HINWEIS

1. Seien Sie besonders vorsichtig, wenn Sie ActiveTrack in den folgenden Situationen verwenden:
 - a. Das fixierte Objekt bewegt sich nicht auf einer ebenen Fläche.
 - b. Das fixierte Objekt ändert während der Bewegung drastisch seine Form.
 - c. Es besteht längere Zeit keine direkte Sichtlinie zum fixierten Objekt.
 - d. Das fixierte Objekt bewegt sich auf Schnee.
 - e. Die Umgebung ist sehr dunkel (< 300 lux) oder sehr hell (> 10.000 lux).
 - f. Das fixierte Objekt hat eine ähnliche Farbe oder Oberfläche wie die Umgebung.
2. Beachten Sie bei der Verwendung von ActiveTrack die lokalen gesetzlichen Bestimmungen zum Schutz der Privatsphäre.

Einhaltung von Vorschriften und Flugverbotszonen

Vorschriften

⚠️ WARNUNG

Bitte beachten, um schwere Sach- und Personenschäden zu vermeiden:

1. Betreiben Sie das Fluggerät unabhängig von der Flughöhe NICHT in der Nähe bemannter Flugzeuge. (Gegebenenfalls sofort landen)
2. Betreiben Sie das Fluggerät NICHT in dicht besiedelten Gebieten (z. B. Städte, Sportveranstaltungen, Ausstellungen, Vorführungen).
3. Überschreiten Sie NICHT die zulässige Maximallughöhe. Halten Sie ausreichend Abstand zu bemannten Flugzeugsätzen, und stören Sie diese NICHT. Achten Sie stets auf andere Fluggeräte und Hindernisse, und weichen Sie diesen aus.

ACHTUNG

Bitte beachten, um schwere Sach- und Personenschäden zu vermeiden:

1. Betreiben Sie das Fluggerät NICHT in gesetzlich festgelegten Flugverbotszonen oder in deren Nähe. Zu den Flugverbotszonen gehören unter anderem: Flughäfen, Grenzen zwischen souveränen Staaten oder Regionen, Großstädte/Großregionen. Diese Liste wird laufend erweitert.
2. Überschreiten Sie NICHT die zulässige Maximallughöhe.
3. Behalten Sie das Fluggerät stets im Blick. Ziehen Sie gegebenenfalls eine zweite Person als Beobachter hinzu.
4. Verwenden Sie das Fluggerät nicht zum Transport illegaler oder gefährlicher Ladegüter.

HINWEIS

1. Überlegen Sie, zu welchem Zweck Sie das Fluggerät betreiben wollen (z. B. Freizeit, Gemeindegebrauch, gewerbliche Zwecke), und beschaffen Sie im Vorfeld alle erforderlichen Genehmigungen von den

zuständigen staatlichen Behörden. Informieren Sie sich bei den örtlichen Aufsichtsbehörden ausführlich über die geltenden Bestimmungen und besondere Anforderungen. Wenn Sie das Fluggerät in den USA betreiben möchten, informieren Sie sich bitte auf <http://www.knowbeforeyoufly.org/>, und ergreifen Sie alle erforderlichen Maßnahmen für Ihre Situation.

2. Bitte beachten Sie, dass der Einsatz ferngesteuerter Fluggeräte für gewerbliche Zwecke in bestimmten Ländern und Regionen verboten ist. Prüfen Sie vor dem Flugbetrieb alle geltenden Gesetze und Auflagen, da die entsprechenden Regelungen von diesen Angaben abweichen können.
3. Umfliegen Sie KEINE sicherheitskritischen Infrastrukturen oder Gebäude (z. B. Kraftwerke, Wasseraufbereitungsanlagen, Justizvollzugsanstalten, stark befahrene Straßen, Regierungseinrichtungen, Militärzonen).
4. Achten Sie beim Gebrauch der Kamera stets die Privatsphäre anderer Menschen. Ohne entsprechende Genehmigung dürfen Sie das Fluggerät NICHT zur Foto- oder Videoüberwachung von Personen, Objekten, Veranstaltungen, Vorführungen, Ausstellungen, Immobilien oder Privatbereichen verwenden, selbst wenn das Bildmaterial für den persönlichen Gebrauch aufgezeichnet wird.
5. Bitte beachten Sie, dass das Aufzeichnen von Bildern und Videos von Veranstaltungen, Vorführungen, Ausstellungen oder Gewerbeimmobilien mit einer Kamera in bestimmten Bereichen einen Verstoß gegen Urheberrechte oder andere gesetzliche Rechte darstellen kann, selbst wenn das Bildmaterial für den persönlichen Gebrauch aufgezeichnet wird.

Flugverbotszonen

HINWEIS

DJI nimmt Flugsicherheit sehr ernst. Daher haben wir Methoden entwickelt, die Ihnen als Anwender die Einhaltung der regionalen Gesetze und Vorschriften im Flugbetrieb erleichtern. Wir empfehlen dringend, die Firmware auf die neueste Version zu aktualisieren, um die folgenden Funktionen auf den aktuellen Stand zu bringen

Flugverbotszonen

1. Zu den Flugverbotszonen gehören unter anderem: große Flughäfen weltweit, Grenzen zwischen zwei souveränen Staaten oder Regionen, Großstädte/Hauptregionen.
2. Eine Liste aller Flugverbotszonen finden Sie auf der offiziellen DJI-Website ([http://www.dji.com/mfysafe\(no-fly\)](http://www.dji.com/mfysafe(no-fly))). Sie wird laufend gemäß den aktuellen aufsichtsrechtlichen Rahmenbedingungen und ohne Ankündigung aktualisiert.
3. Einige Flugverbotszonen bestehen aus mehreren Zonen. Jeder Raum beschreibt einen Kreis mit unterschiedlichem Radius. In der inneren Zone der Flugverbotszone kann das Fluggerät nicht gestartet werden und sinkt auf eine vorgegebene Flughöhe ab, sobald es sich dem Rand des inneren Raums nähert. Innerhalb einer Flugverbotszone ist die Bodenstation-Funktion deaktiviert.
4. In einer Flugverbotszone kann der Anwender keine Wegpunkte festlegen.

Flughöhenbegrenzung

1. Fliegen Sie NICHT höher als 120 Meter über dem Boden, und achten Sie auf Hindernisse in der Umgebung. Die gesetzlich erlaubte maximale Flughöhe kann je nach vorliegender Gesetzeslage niedriger sein. Befolgen Sie unbedingt alle geltenden Gesetze.
2. Wenn Sie oberhalb der Flughöhenbegrenzung fliegen möchten, müssen Sie zunächst den angezeigten Haftungsausschluss bestätigen, um die neue Flughöhenbegrenzung zu aktivieren. Wenn eine neue Flughöhenbegrenzung festgelegt wurde, erklären Sie sich weiterhin einverstanden, dass die Daten (insbesondere Flugleistungsmetriken und Änderungen der Flughöhenbegrenzung) ggf. auf einen von DJI betriebenen Server hochgeladen und dort gepflegt werden.

Änderungen vorbehalten.

Die aktuelle Fassung finden Sie unter www.dji.com/matrice-200-series

MATRICE ist eine Marke von DJI.
Copyright © 2017 DJI Alle Rechte vorbehalten.

Seguridad de un vistazo

1. Consideraciones del entorno

- Vuele siempre en ubicaciones alejadas de edificios y otros obstáculos.
- NO vuele por encima o cerca de multitudes.
- Evite volar a altitudes superiores a 120 m (400 pies)*.
- Vuele en condiciones climáticas moderadas con temperaturas de -20 °C a 45 °C (-4 °F a 113 °F).
- Tenga especial cuidado al volar en interiores, ya que las funciones de estabilización de la aeronave pueden sufrir interferencias.
- NO vuele si la velocidad del viento supera los 10 m/s (22 mph).



2. Lista de comprobación previa al vuelo

- Asegúrese de que las baterías del control remoto y la aeronave estén completamente cargadas.
- Asegúrese de que las hélices se encuentren en buenas condiciones y fijadas correctamente antes de cada vuelo.
- Asegúrese de que no haya nada que obstruya los motores.
- Compruebe que el objetivo de la cámara esté limpio y libre de manchas.
- Calibre la brújula sólo cuando se lo solicite la aplicación DJI GO™ 4 o el indicador de estado.
- Alterar o modificar la aeronave puede afectar a su estabilidad. Siga estrictamente las instrucciones oficiales de DJI de conectar sólo equipo externo compatible y asegúrese de que el peso total de la aeronave no exceda los 6,14 kg después de la fijación. Asegúrese de que el equipo externo se monta en la posición correcta de acuerdo con las instrucciones oficiales para evitar el desplazamiento del centro de gravedad de la aeronave.

3. Funcionamiento

- Manténgase lejos de las hélices y los motores en rotación.
- Mantenga una línea de visión directa con la aeronave en todo momento.
- La función de detención de los motores en pleno vuelo, pulsando el botón RTH mientras se empuja la palanca izquierda hacia la esquina inferior interna y se mantiene durante 3 segundos, está desactivada de forma predeterminada. El usuario debe entrar en la aplicación DJI GO 4 para activar esta función. Active esta función sólo en caso de emergencia.
- NO responda llamadas ni mensajes, ni use otras funciones de sus dispositivos móviles que puedan distraerle del control de la aeronave durante el vuelo. NO vuele bajo los efectos del alcohol ni de las drogas.
- NO vuele justo por encima de superficies reflectantes como agua o nieve, ya que estas superficies pueden afectar al rendimiento del sistema de visión.
- En caso de un aviso de batería baja, aterrice la aeronave inmediatamente en una ubicación segura.
- Durante el procedimiento de regreso al punto de origen, puede ajustar la altitud de vuelo para evitar obstáculos.
- Después de aterrizar, apague primero el motor, luego la Batería de Vuelo Inteligente y, por último, el control remoto.
- Cuando use las funciones TapFly™ o ActiveTrack™, esté preparado para retomar el control de la aeronave empujando las palancas de control. Tenga en cuenta que la aeronave seguirá efectuando las funciones TapFly o ActiveTrack después de que empuje las palancas de control. Pulse el botón STOP en el control remoto o en la pantalla para salir completamente de estas funciones.
- A pesar del uso de tecnología avanzada, sigue siendo necesario que el piloto esté atento y utilice el sentido común durante el vuelo. Las funciones de seguridad y asistencia al vuelo, como el sistema anticolidión, aterrizaje preciso y protección en el aterrizaje, están diseñadas para ayudarle durante el vuelo, no para pilotar en su lugar. Las condiciones ambientales, como los rayos y las texturas de ciertos obstáculos, pueden afectar al rendimiento del sistema de visión.
- Ajuste la altitud de la función Regreso al punto de origen por encima de la de los obstáculos circundantes en la aplicación DJI GO 4.
- La protección de aterrizaje (a una altura de 2 metros sobre el suelo, detecta si el terreno es adecuado para aterrizar) se utiliza para optimizar la experiencia de uso. Permanezca siempre alerta mientras controla la aeronave, ya que el sistema de visión puede desactivarse en ciertas situaciones (p. ej., luz tenue o patrones de superficie de obstáculos poco definidos) y la detección de la superficie del suelo puede fallar.

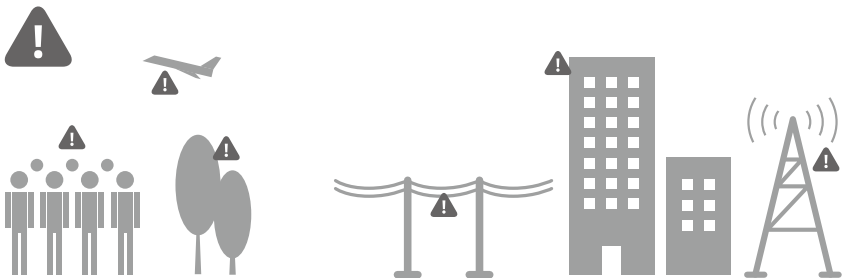
4. Mantenimiento y cuidado

- NO utilice hélices desgastadas, astilladas o rotas.
- La temperatura de almacenamiento recomendada es de entre 22 y 30 °C (71 y 86 °F).
- Consulte las Directrices de seguridad de la Batería de Vuelo Inteligente para obtener más información sobre el uso seguro de la batería.

5. Respeto de las leyes y normativas locales

- NO vuele en zonas de exclusión aérea. Puede encontrar una lista completa de estas áreas en <http://fllysafe.dji.com/>. Consulte a las autoridades aéreas locales para obtener listas y normas completas de las zonas de exclusión aérea.
- La restricción de altitud de vuelo varía en diferentes jurisdicciones. NO vuele por encima de las altitudes máximas establecidas por las leyes y normativas locales.
- Evite volar en áreas donde los equipos de rescate estén utilizando activamente el espacio aéreo.

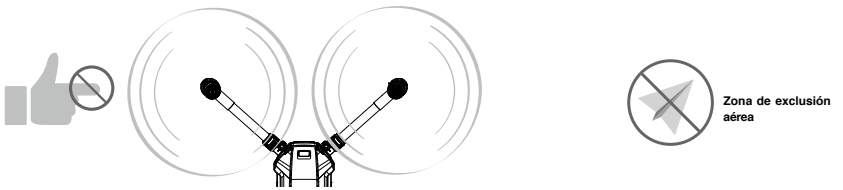
* La restricción de altitud de vuelo varía en diferentes jurisdicciones. NO vuele por encima de las altitudes máximas establecidas por las leyes y normativas locales.



Evite sobrevolar o acercarse a multitudes, árboles o aeropuertos. Las fuentes de radiación electromagnética fuerte como líneas de tendido eléctrico, estaciones base y edificios elevados pueden afectar a la brújula de a bordo. Se recomienda utilizar Matrice 210-RTK. Preste siempre atención a los alrededores durante el vuelo.



NO utilice la aeronave en condiciones climáticas adversas como lluvia, nieve, niebla ni con una velocidad del viento superior a 10 m/s o 22 mph.



Manténgase alejado de las hélices y los motores en rotación.

Obtenga más información en:
<http://flysafe.dji.com/no-fly>

AVISO

Todas las instrucciones y otros documentos colaterales están sujetos a cambios a criterio exclusivo de SZ DJI TECHNOLOGY CO., LTD ("DJI"). Para obtener información actualizada sobre el producto, visite <http://www.dji.com> y consulte la página del producto XX.

Glosario

Los siguientes términos se usan en la presente documentación para indicar diferentes niveles de daños potenciales al utilizar este producto:

AVISO: Procedimientos que, de no seguirse correctamente, dan lugar a la posibilidad de daños materiales Y una escasa o nula posibilidad de lesiones.

PRECAUCIÓN: Procedimientos que, de no seguirse correctamente, crean la probabilidad de daños materiales Y posibilidad de lesiones graves.

ADVERTENCIA: Procedimientos que, de no seguirse correctamente, crean la probabilidad de daños materiales, daños colaterales y lesiones graves O crean una alta probabilidad de lesiones graves.



ADVERTENCIA

Lea el manual del usuario COMPLETO para familiarizarse con las características

de este producto antes de ponerlo en funcionamiento. El uso del producto sin seguir las instrucciones del manual del usuario puede provocar daños al producto o a la propiedad personal, y causar lesiones graves.

Este es un producto sofisticado. Se debe usar con precaución y sentido común y, además, se requiere capacidad mecánica básica. Si al utilizar este producto no lo hace de una manera segura y responsable puede provocar lesiones o daños al producto o a otras propiedades. Este producto no está destinado a niños. NO utilice componentes incompatibles ni modifique este producto de ningún modo, a menos que se indique lo contrario en los documentos pertinentes facilitados por SZ DJI TECHNOLOGY CO., LTD. Estas directrices de seguridad contienen las instrucciones de seguridad, funcionamiento y mantenimiento. Es importante que lea y siga todas las instrucciones y advertencias que aparecen en el manual del usuario antes del montaje, la configuración o el uso, con el fin de usar el producto de manera segura y evitar daños o lesiones graves.

EDAD RECOMENDADA: NO APTO PARA MENORES DE 18 AÑOS. ESTE PRODUCTO NO ES UN JUGUETE.

Lista de comprobación previa al vuelo

1. Asegúrese de utilizar sólo repuestos originales y de que todas las piezas estén en perfecto estado.
2. Asegúrese de que el control remoto, la Batería de Vuelo Inteligente y el dispositivo móvil estén completamente cargados.
3. Asegúrese de que no haya ningún objeto extraño adherido al objetivo de la cámara, que la tarjeta MicroSD se haya introducido en la aeronave y que el estabilizador pueda girar libremente antes de encenderlo.
4. Asegúrese de que las hélices y las placas de montaje estén correctamente montadas en los motores, y que los motores arranquen y que funcionen normalmente.
5. Siga las instrucciones que aparecen en pantalla para calibrar la brújula.
6. Asegúrese de que la aplicación DJI GO 4 y el firmware de la aeronave estén actualizados a la versión más reciente.
7. Asegúrese de que el área de vuelo se encuentre fuera de las zonas de exclusión aérea y que las condiciones de vuelo sean adecuadas para volar la aeronave.
8. Asegúrese de NO volar la aeronave bajo los efectos del alcohol, las drogas o cualquier sustancia que pueda afectar a sus habilidades cognitivas.
9. Asegúrese de que está familiarizado con el modo de vuelo seleccionado y conoce todas las funciones y advertencias de seguridad.
10. Asegúrese de respetar todas las normativas locales, obtener las autorizaciones adecuadas y comprender los riesgos. RECUERDE: Es responsabilidad exclusivamente suya cumplir todas las normativas de vuelo vigentes.
11. ASEGÚRESE DE NO PERDER DE VISTA LA AERONAVE EN NINGÚN MOMENTO. NO confíe únicamente en la vista en primera persona de

la cámara para controlar la aeronave.

12. Asegúrese de que la aplicación DJI GO 4 se inicia correctamente para ayudarle durante el vuelo de la aeronave. Sin los datos de vuelo registrados por la aplicación DJI GO 4, en determinadas situaciones (incluida la pérdida de la aeronave), puede que DJI™ no proporcione asistencia posventa o acepte ninguna responsabilidad.

Renuncia de responsabilidad y advertencia

Este producto NO es un juguete y no es adecuado para menores de 18 años. Los adultos deben mantener la aeronave fuera del alcance de los niños y actuar con precaución al utilizarlo en presencia de niños.

Aunque el producto incorpora tecnología avanzada, el uso inapropiado puede ocasionar lesiones personales o daños materiales. Lea la documentación asociada al producto antes de usarlo por primera vez. Encontrará dicha documentación en el embalaje y también online, en la página de productos de DJI en <http://www.dji.com>.

La información incluida en este documento afecta a su seguridad, y a sus derechos y responsabilidades legales. Lea este documento en su totalidad para garantizar una configuración adecuada antes de su uso. Si no lee y respeta las instrucciones y advertencias de este documento, puede provocar la pérdida del producto, lesiones graves a sí mismo o daños en la aeronave.

Al usar este producto, por la presente manifiesta que ha leído esta renuncia de responsabilidad con atención y que entiende y acepta cumplir con los términos y condiciones establecidos en este documento: SALVO INDICACIÓN EXPRESA AL CONTRARIO EN LAS POLÍTICAS DE SERVICIO POSVENTA DISPONIBLES EN ([HTTP://WWW.DJI.COM/SERVICE/POLICY](http://www.dji.com/SERVICE/POLICY)), EL PRODUCTO, INCLUIDOS LOS MATERIALES Y CONTENIDOS DISPONIBLES A TRAVÉS DEL PRODUCTO, SE SUMINISTRAN TAL COMO ES Y COMO ESTÁ DISPONIBLE, PERO SIN GARANTÍAS NI CONDICIONES DE NINGÚN TIPO, EXPRESAS O IMPLÍCITAS. EXCEPTO COMO SE INDIQUE EXPRESAMENTE EN LAS POLÍTICAS DE SERVICIO POSVENTA DE DJI, DJI RECHAZA EXPRESAMENTE TODAS LAS GARANTÍAS, EXPRESAS O IMPLÍCITAS, EN RELACIÓN CON EL PRODUCTO, LOS ACCESORIOS DEL PRODUCTO Y TODOS LOS MATERIALES, INCLUIDAS: (A) TODA GARANTÍA IMPLÍCITA DE COMERCIABILIDAD, IDONEIDAD PARA UNA FINALIDAD DETERMINADA, TÍTULO, DISFRUTE TRANQUILO O NO INFRACCIÓN; Y (B) CUALQUIER GARANTÍA QUE PUDIERA SURGIR DE UN ACUERDO, USO O PRÁCTICA COMERCIAL. DJI NO GARANTIZA, EXCEPTO COMO SE INDIQUE EXPRESAMENTE EN LA GARANTÍA LIMITADA DE DJI, QUE EL PRODUCTO, LOS ACCESORIOS DEL PRODUCTO O CUALQUIER PARTE DEL PRODUCTO, O CUALQUIER MATERIAL, SEAN SEGUROS, ESTÉN LIBRES DE INTERRUPCIONES, ERRORES, VIRUS U OTROS COMPONENTES DAÑINOS, COMO TAMPOCO GARANTIZA LA CORRECCIÓN DE NINGUNO DE ESTOS PROBLEMAS.

NINGÚN TIPO DE ASESORAMIENTO O INFORMACIÓN, EN FORMA ORAL O POR ESCRITO, QUE USTED PUDIERA OBTENER A TRAVÉS DEL PRODUCTO, LOS ACCESORIOS DEL PRODUCTO U OTROS MATERIALES CREARÁ OTRAS GARANTÍAS RESPECTO DE DJI O EL PRODUCTO QUE LAS EXPRESAMENTE ESTIPULADAS EN LAS PRESENTES CONDICIONES. EL USUARIO ASUME INTEGRAMENTE EL RIESGO ASOCIADO CON LOS DAÑOS DERIVADOS DEL USO DEL PRODUCTO, ACCESORIOS O MATERIALES, O DEL ACCESO A ESTOS. EL USUARIO RECONOCE Y ACEPTA QUE UTILIZA EL PRODUCTO POR SU PROPIA CUENTA Y RIESGO, Y QUE ES EL ÚNICO RESPONSABLE DE CUALQUIER LESIÓN PERSONAL, MUERTE, DAÑOS A SU PROPIEDAD (INCLUIDO SU SISTEMA INFORMÁTICO, DISPOSITIVO MÓVIL O HARDWARE DJI EMPLEADO CON EL PRODUCTO) O LA AJENA, O LA PÉRDIDA DE DATOS OCASIONADA POR EL USO O INCAPACIDAD PARA EL USO DEL PRODUCTO.

EN JURISDICCIÓNES EN QUE SE PROHIBAN LAS CLÁUSULAS DE EXENCIÓN DE GARANTÍAS, EL USUARIO PODRÍA DISFRUTAR DE OTROS DERECHOS ESPECÍFICOS DE CADA JURISDICCIÓN.

DJI no acepta responsabilidad alguna por daños o lesiones, ni ningún tipo de responsabilidad legal derivada directa o indirectamente del uso de este producto. El usuario deberá respetar las prácticas seguras y legales incluidas, entre otras, las establecidas en estas directrices de seguridad.

Almacenamiento y uso de datos

Cuando utilice nuestra aplicación móvil o nuestros productos u otro software, los datos referentes al uso y funcionamiento del producto, como los datos de telemetría de vuelo (p. ej., velocidad, altitud, vida de la batería e información sobre el estabilizador y la cámara) y los registros de operaciones, se pueden suministrar a DJI. El dispositivo de almacenamiento interno incorporado en el producto almacena varios

tipos de datos, incluidos datos de telemetría de vuelo. También puede proporcionarnos datos de telemetría de vuelo y otros datos al transmitírnoslos internamente dicha información desde el dispositivo de almacenamiento interno.

Consulte la Política de privacidad de DJI (<http://www.dji.com/policy>) para obtener más información.

Antes de comenzar

Este producto es una aeronave que permite un vuelo seguro si se encuentra en buenas condiciones de funcionamiento, tal y como se establece a continuación. Visite <http://www.dji.com> para obtener las instrucciones y advertencias más actualizadas, y <http://knowbeforeyoufly.org> para obtener más información sobre seguridad de vuelo y conformidad.

Los siguientes documentos se han elaborado para ayudarle a utilizar con seguridad y sacar el máximo partido de la aeronave:

Contenido del embalaje

Renuncia de responsabilidad y directrices de seguridad

Directrices de seguridad de la Batería de Vuelo Inteligente

Guía de inicio rápido

Manual del usuario

Compruebe todas las piezas incluidas que se mencionan en el documento Contenido del embalaje y lea las Directrices de seguridad antes del vuelo. A continuación, prepárese para su primer vuelo utilizando la Guía de inicio rápido y vea todos los videotutoriales del sitio web oficial de DJI (<http://www.dji.com>). Si tiene alguna duda, consulte el Manual del usuario en la aplicación o en el sitio web oficial de DJI para obtener información más exhaustiva. Asegúrese de comprender en su totalidad las funciones de cada pieza individual, los requisitos de condiciones de vuelo, las funciones/sistemas de advertencia por imprevistos clave y todas las normativas de las autoridades antes de cada vuelo. Si tiene alguna pregunta o problema durante el montaje, mantenimiento o uso de este producto, póngase en contacto con DJI o con un distribuidor autorizado de DJI.

Piezas individuales

Acerca de las piezas originales y funcionales

⚠️ ADVERTENCIA

Para evitar el funcionamiento incorrecto de los componentes, lesiones graves y daños materiales, respete las siguientes reglas:

1. Utilice sólo piezas originales de DJI o piezas certificadas por DJI. Las piezas no autorizadas o piezas de fabricantes no certificados por DJI pueden producir averías en el sistema y poner en peligro la seguridad.
2. Asegúrese de que no haya objetos extraños (como agua, aceite, tierra, arena, etc.) dentro de la aeronave o de sus componentes.
3. Asegúrese de que la aeronave y sus componentes, incluidos, entre otros, el control remoto, la cámara, el estabilizador, la brújula, el sistema de propulsión y la batería, estén en buen estado, no presenten daños y funcionen correctamente. Consulte las secciones restantes de este documento para obtener más detalles sobre cómo garantizar la funcionalidad de estos componentes.
4. NO modifique ni transforme la aeronave, sus componentes ni sus piezas. Las modificaciones no autorizadas pueden ocasionar fallos y afectar al funcionamiento y seguridad de la aeronave.

Control remoto

⚠️ AVISO

1. Asegúrese de que el control remoto esté completamente cargado antes de cada vuelo.
2. Si el control remoto está encendido y NO se ha utilizado durante 5 minutos, sonará una alerta. Después de 6 minutos, se apagará automáticamente. Mueva las palancas o realice alguna otra acción para cancelar la alerta.
3. Ajuste la abrazadera del soporte para dispositivo móvil para que el dispositivo móvil quede sujeto firmemente.
4. Asegúrese de que el soporte para dispositivo móvil esté firmemente colocado en su lugar y no se deslice.
5. Asegúrese de que la antena del control remoto esté desplegada y ajustada en la posición adecuada para conseguir una calidad de transmisión óptima.
6. Repare o sustituya el control remoto si está dañado. Una antena de control remoto dañada reducirá considerablemente el rendimiento.
7. La vinculación es necesaria si desea sustituir el control remoto o el

receptor, o agregar un nuevo control remoto. Consulte el Manual del usuario para obtener detalles.

8. Asegúrese de apagar primero la aeronave (cuando resulte seguro), y luego el control remoto. De lo contrario, puede perder el control de la aeronave.
9. Cargue completamente la batería al menos una vez cada tres meses para conservarla en buen estado.

Brújula

⚠️ PRECAUCIÓN

Para evitar posibles lesiones graves y daños materiales, respete la siguiente regla:

Aterrice inmediatamente cuando se produzca un desvío obvio durante el vuelo, es decir, cuando la aeronave NO vuele en línea recta.

⚠️ AVISO

Calibre la brújula sólo cuando se lo solicite la aplicación DJI GO 4 o el indicador de estado. Siga las reglas siguientes al calibrar la brújula:

1. NO calibre la brújula si hay interferencias magnéticas, como en presencia de magnetita, en estructuras de estacionamiento o en ubicaciones subterráneas con estructuras metálicas.
2. NO transporte materiales ferromagnéticos durante la calibración, como teléfonos móviles.
3. La aplicación DJI GO 4 le solicitará que resuelva un problema de brújula si esta se ve afectada por interferencias fuertes tras efectuar la calibración. Siga las instrucciones para resolver el problema de la brújula.

Sistemas de propulsión

⚠️ ADVERTENCIA

Para evitar la posibilidad de que las hélices y los motores en rotación puedan provocar lesiones graves al usuario o a otras personas, respete las siguientes reglas:

Hélices

1. NO utilice hélices desgastadas, astilladas o rotas.
2. Apague siempre la aeronave antes de tocar las hélices.
3. Tenga cuidado con los bordes afilados de las hélices al montar o retirar las hélices. Utilice guantes o tome otras medidas de protección al tocar las hélices.
4. Siempre que sea necesario, utilice herramientas (p. ej., llave, destornillador, alicates, etc.) para extraer o instalar las hélices.
5. Asegúrese de que las hélices estén montadas correctamente para evitar que caigan de los motores.
6. NO encienda los motores cuando las hélices estén montadas, y haya otras personas o animales en las inmediaciones.
7. El uso de hélices de otros fabricantes puede afectar a la aerodinámica de la aeronave. Para una experiencia de vuelo mejor y más segura, le recomendamos usar exclusivamente hélices DJI originales.
8. Pase un paño a las hélices para secarlas antes de cada vuelo si la temperatura ambiente está en torno a los 0 °C (32 °F) para evitar la formación de placas de hielo en las hélices.

Motores

1. Compruebe que los motores estén instalados correctamente y giren suavemente.
2. NO intente modificar la estructura de los motores.
3. NO toque los motores ni deje que las manos o el cuerpo entren en contacto con ellos tras el vuelo, ya que pueden estar calientes.

⚠️ PRECAUCIÓN

Para evitar posibles lesiones graves y daños materiales, respete las siguientes reglas:

1. NO bloquee ninguno de los orificios de ventilación de los motores.
2. NO bloquee ninguno de los orificios de ventilación del brazo de la estructura de la aeronave.

⚠️ AVISO

Motores

1. Mantenga los motores limpios de polvo.
2. Si el motor está bloqueado y no puede girar libremente, ejecute el CSC (comando de palancas combinado) para detener los motores inmediatamente.

Controladores electrónicos de velocidad (ESC)

Asegúrese de que el sonido de los ESC sea normal cuando estén encendidos.

Aplicación DJI GO 4

AVISO

- Asegúrese de cargar por completo la tableta o el dispositivo móvil antes de iniciar la aplicación.
- El uso de la aplicación DJI GO 4 requiere conexión de datos móviles. Póngase en contacto con su operador de móvil para consultar el coste del consumo de datos.
- Si utiliza un teléfono como dispositivo de pantalla móvil, asegúrese de continuar volando con seguridad cuando el teléfono recibe una llamada entrante. NO acepte llamadas de teléfono durante el vuelo.
- Lea con atención todos los consejos de seguridad, mensajes de advertencia y renuncias de responsabilidad que aparezcan. Está familiarizado con las normativas relacionadas de su área. Usted es el único responsable de conocer todas las normas pertinentes y de volver de un modo que se ajuste a las mismas.
 - Lea y comprenda los mensajes de advertencia antes de utilizar las funciones de despegue y aterrizaje automáticos.
 - Lea y comprenda los mensajes de advertencia antes de reajustar el punto de origen.
 - Lea y comprenda los mensajes de advertencia y la renuncia de responsabilidad antes de ajustar la altitud más allá del límite normativo.
 - Lea y comprenda los mensajes de advertencia y la renuncia de responsabilidad antes de cambiar entre los modos de vuelo.
- Aterrice la aeronave inmediatamente en una ubicación segura si aparece una alerta en la aplicación.
- Examine y compruebe todos los mensajes de advertencia de la lista de comprobación que se muestran en la aplicación antes de cada vuelo.
- Utilice el simulador integrado en la aplicación para practicar la técnica de vuelo si nunca ha utilizado la aeronave o si NO tiene suficiente experiencia para utilizar la aeronave con comodidad.
- Guardé en caché los datos de mapa del área en la que va a volar la aeronave conectándose a Internet antes de cada vuelo.
- La aplicación está diseñada para ayudarle durante el vuelo. Utilice el sentido común y NO confíe el control de la aeronave a la aplicación.
- El uso que haga de la aplicación está regido por las condiciones de uso de DJI GO 4 y la política de privacidad de DJI. Léalos detenidamente en la aplicación.

Firmware

ADVERTENCIA

Para evitar lesiones graves a niños y animales, respete la siguiente regla: Mantenga a los niños y animales a una distancia segura durante la actualización del firmware, calibración del sistema y procedimientos de configuración de parámetros.

AVISO

- Para una mayor seguridad, actualice siempre el firmware a la versión más reciente cuando aparezca en la aplicación DJI GO 4 una notificación de actualización.
- Las notificaciones de actualización del firmware informarán sobre nuevas actualizaciones de firmware. Es obligatorio leer y comprender la información mostrada. Además, usted entiende y acepta que los datos, incluidos sin limitación datos de telemetría de vuelo y registros de selección de usuario, se pueden cargar y conservar en un servidor designado por DJI.
- Asegúrese de actualizar la última versión del firmware del control remoto después de actualizar el firmware de la aeronave.
- El control remoto puede desvincularse de la aeronave después de la actualización. Vuelva a vincular el control remoto y la aeronave.
- Asegúrese de comprobar todas las conexiones y elimine las hélices de los motores antes de realizar la actualización del firmware.

Cámara (opcional)

ADVERTENCIA

Para evitar posibles lesiones graves y daños materiales, respete la siguiente regla: NO bloquee los orificios de ventilación de la cámara, ya que el calor que genera puede herir al usuario y dañar el dispositivo.

AVISO

- Compruebe la configuración de la cámara antes de su uso para asegurarse de que se pueden ajustar para adaptarlos a sus necesidades.
- Pruebe la cámara grabando varias imágenes de prueba y compruebe

que funciona correctamente antes de comenzar a capturar fotografías o videos importantes.

- NO extraiga la tarjeta microSD de la cámara mientras está encendida.
- Las fotografías o los videos no se pueden transmitir ni copiar de la aeronave si la Batería de Vuelo Inteligente está apagada.
- Asegúrese de apagar la Batería de Vuelo Inteligente correctamente; de lo contrario, los parámetros de la cámara NO se guardarán y los videos grabados pueden resultar dañados
- Con independencia del motivo, DJI no será responsable de ningún fallo por el que una imagen o video se grabé de forma que no se pueda leer mecánicamente.

Estabilizador (opcional)

AVISO

- Los elementos de precisión del estabilizador pueden resultar dañados tras una colisión o impacto, lo que puede provocar que el estabilizador no funcione con normalidad.
- NO aplique fuerza externa sobre el estabilizador una vez que esté encendido.
- NO añada ninguna carga al estabilizador, ya que podría provocar que el estabilizador no funcione con normalidad o incluso dañar el motor.
- El estabilizador y el conector del estabilizador son muy delicados. Manipule con cuidado y NO toque el conector del estabilizador, ya que cualquier daño provocará un funcionamiento anómalo.
- Sujete con firmeza el estabilizador al acoplarlo o desacoplarlo para que no se caiga.
- NO inserte ni extraiga el estabilizador con la aeronave encendida.
- Los estabilizadores simples y dobles se deben usar por separado.
- Cuando utilice un estabilizador simple hacia arriba y estabilizadores dobles hacia abajo, asegúrese de seguir estrictamente las instrucciones del manual del usuario, montando cámaras compatibles con el estabilizador, o la transmisión de imagen puede fallar.

Cuidado del producto

Almacenamiento y transporte

ADVERTENCIA

Para evitar lesiones graves a niños y animales, respete la siguiente regla: Las piezas pequeñas, como cables y correas, son peligrosas si se ingieren. Mantenga todas las piezas fuera del alcance de niños y animales.

AVISO

- Almacene la Batería de Vuelo Inteligente y el control remoto en un lugar fresco, seco y alejado de la luz solar directa con el fin de garantizar que la batería LiPo integrada NO se recalienta. Temperatura de almacenamiento recomendada: entre 22 y 30 °C (71 y 86 °F) para períodos de almacenamiento superiores a tres meses. Nunca almacene dichos productos en entornos que se encuentren fuera del rango de temperaturas de -20 a 45 °C (-4 a 113 °F).
- NO deje que la cámara entre en contacto con agua u otros líquidos, ni que quede sumergida en ellos. Si se moja, séquela con un paño suave y absorbente. Si se enciende una aeronave que se ha caído al agua, se pueden provocar daños irreparables a sus componentes. NO utilice sustancias que contengan alcohol, benceno, disolventes ni otras sustancias inflamables para limpiar o mantener la cámara. NO guarde la cámara en zonas húmedas o con mucho polvo.
- Separe el estabilizador de la aeronave cuando vaya a almacenarlo durante un largo periodo de tiempo o transportarla a distancias largas.
- NO conecte este producto a ninguna interfaz USB anterior a la versión 2.0. NO conecte este producto a ningún "power USB" ni dispositivos similares.

Mantenimiento y cuidado

AVISO

- Póngase en contacto con los centros de servicio recomendados por DJI para la inspección o reparación del producto si este sufre una caída o impacto violento. Utilizar una aeronave dañada es muy peligroso y puede ocasionar lesiones y daños a la propiedad.
- La batería se puede almacenar hasta durante tres meses si el nivel de batería restante está entre el 40 % y el 65 %. Realice un ciclo completo de carga/descarga de la batería al menos una vez cada tres meses para conservar la batería en buen estado.
- Se recomienda programar un servicio de mantenimiento cada 50 horas de vuelo para garantizar la seguridad y fiabilidad durante el vuelo.

Requisitos de condiciones de vuelo

Condiciones meteorológicas y de entorno

⚠️ ADVERTENCIA

La aeronave se ha diseñado para funcionar en condiciones meteorológicas buenas o moderadas. Para evitar colisiones, lesiones graves y daños materiales, respete las siguientes reglas:

- NO utilice la aeronave en condiciones climáticas adversas. Entre ellas se incluyen velocidades del viento superiores a 10 m/s, nieve, lluvia, niebla, fuertes vientos, granizo, rayos, tornados o huracanes.
- Durante el vuelo, mantenga la aeronave a una distancia mínima de 10 metros (30 pies) de los obstáculos, personas, animales, edificios, infraestructuras públicas, árboles y masas de agua. Permanezca aún más alejado de los objetos anteriores a medida que aumente la altitud.
- EXTREME las precauciones cuando utilice la aeronave en interiores. Algunas funciones de la aeronave, en especial la función de estabilización, pueden verse afectadas.
- Asegúrese de activar el sistema de visión para vuelos en interiores. Tenga en cuenta que es posible que el sistema de visión NO funcione correctamente cuando se vuela sobre masas de agua, sobre superficies sin un patrón claro o en condiciones de poca luz.

⚠️ AVISO

- El rendimiento de la aeronave y de la batería depende de factores medioambientales, como la densidad del aire y la temperatura.
 - NO utilice la aeronave si la temperatura está fuera del rango de -20 a 45 °C (-4 a 113 °F).
- NO utilice la aeronave cerca de lugares donde se hayan producido accidentes, incendios, explosiones, inundaciones, tsunamis, avalanchas, desprendimientos, terremotos, o tormentas de polvo o arena.

Interferencia con las comunicaciones

⚠️ AVISO

- Compruebe si cualquier parte de la aeronave ha sufrido un golpe o rotura. Póngase en contacto con la asistencia técnica de DJI o el servicio técnico autorizado en caso necesario.
- Vuele en espacios abiertos. Los edificios altos o las grandes estructuras metálicas pueden afectar a la precisión de la brújula de a bordo y bloquear la señal GPS.
- Evite las interferencias entre el control remoto y otros equipos inalámbricos. Asegúrese de apagar la conexión wifi de su dispositivo móvil.
- Extremar las precauciones al volar cerca de zonas con interferencias magnéticas o de radio siempre que el uso del M210-RTK está recomendado en dicho entorno. Estas incluyen, aunque NO están limitadas a: líneas de alta tensión eléctrica, estaciones de transmisión eléctrica a gran escala o estaciones base móviles y torres de radiodifusión. Si lo hace, podría afectar a la calidad de transmisión de este producto o provocar errores del control remoto o transmisión de vídeo que puedan afectar a la orientación del vuelo y a la precisión de la ubicación. La aeronave puede dejar de funcionar con normalidad o descontrolarse en áreas con demasiadas interferencias.

Uso responsable de la aeronave

⚠️ ADVERTENCIA

Para evitar lesiones graves y daños materiales, respete las siguientes reglas:

- Asegúrese de NO estar bajo los efectos del alcohol, drogas, anestesia ni padecer mareos, fatiga, náuseas o cualquier otra condición, ya sea física o mental, que pueda afectar a su capacidad de utilizar la aeronave con seguridad.
- Empujar la palanca izquierda hacia la esquina inferior interna pulsando al mismo tiempo el botón RTH detendrá el motor de la aeronave en pleno vuelo. La función de aterrizaje de la aeronave no se activará. NO efectúe este comando combinado a menos que se trate de una situación de emergencia. Esta función está desactivada de forma predefinida. Puede activar esta función de comando combinado en la aplicación DJI GO 4.
- Tras el aterrizaje, apague en primer lugar la aeronave y, a continuación, apague el control remoto.
- NO deje caer, lance, incendie ni proyecte de ningún otro modo cargas peligrosas sobre o hacia ningún edificio, persona o animal, ni cargas que puedan provocar lesiones personales o daños materiales.
- NO utilice la aeronave si se ha accidentado o recibido un impacto, o no está en buen estado por cualquier otro motivo.

⚠️ AVISO

- Asegúrese de haber recibido el entrenamiento necesario y de ser plenamente consciente de los planes de contingencia antes de que se produzca ningún accidente.
- Asegúrese de disponer de un plan de vuelo y nunca vuele la aeronave de forma imprudente.
- Respete la privacidad de los demás cuando utilice la cámara. Asegúrese de cumplir las leyes de privacidad, las normativas y las normas morales.
- NO utilice este producto para ningún motivo que no sea el uso personal general. NO lo utilice para fines ilegales o inadecuados (como, por ejemplo, el espionaje, las operaciones militares o las investigaciones no autorizadas).
- NO utilice este producto para difamar, insultar, acosar, ofender, amenazar o violar de cualquier otro modo los derechos legales (como el derecho a la privacidad y la publicidad) de otras personas.
- NO entre en propiedades privadas.

Modos de vuelo, funciones y advertencias

Modos de vuelo

⚠️ ADVERTENCIA

Para evitar lesiones graves y daños materiales, respete la siguiente regla: **NO cambie de modo P a un modo A o S a menos que esté suficientemente familiarizado con el comportamiento de la aeronave en cada modo de vuelo, ya que al desactivar el GPS puede que sea imposible aterrizar la aeronave con seguridad.**

⚠️ AVISO

Se recomienda el modo P o el modo S para la mayor parte de situaciones de vuelo. Los usuarios pueden cambiar a un modo A si el modo P o el modo S no están disponibles. Al volar en modo A, tome precauciones ADICIONALES, ya que algunas funciones NO están disponibles en el modo A. Al volar en interiores, la aeronave no se puede realizar vuelo estacionario de precisión al volar por encima de superficies que no tienen un patrón claro. Consulte la sección "Sistema de Visión y Sistema de Detección por Infrarrojos" para conocer los criterios completos de vuelo en interiores.

- Modo P (posicionamiento):** el modo P funciona mejor con señal GPS intensa. La aeronave utiliza el GPS y el sistema de visión para estabilizarse, navegar entre obstáculos o realizar el seguimiento de un objeto en movimiento. Funciones avanzadas, como TapFly y ActiveTrack, están habilitadas en este modo.
- Modo S (Sports):** el modo S es idéntico al modo P en cuanto a configuración del controlador de vuelo, con la excepción de que se ajustan los valores de ganancia de manipulación de la aeronave con el fin de mejorar la maniobrabilidad de la misma. La velocidad máxima durante el vuelo de la aeronave aumenta en este modo.
- Modo A (Attitude):** Cuando no están disponibles ni el GPS ni el sistema de visión, la aeronave sólo utilizará su barómetro para posicionamiento para controlar la altitud.

Si desea cambiar a los modos que desactivan asistencia de GPS (p. ej., modo A), es necesario que acepte la renuncia de responsabilidad mostrada para activar esta función. Si se activa esta función, usted entiende y acepta que los datos, incluidos sin limitación datos de telemetría de vuelo y registros de función, se pueden cargar y conservar en un servidor designado por DJI.

Seguridad y regreso al punto de origen

⚠️ AVISO

- La función de regreso al punto de origen NO funcionará si la señal de GPS es insuficiente (señal de GPS con menos de tres barras) o si el GPS no está activo.
- Pulse el botón RTH (regreso al punto de origen) en el control remoto para iniciar el proceso de regreso al punto de origen en lugar de apagar el control remoto.
- Los edificios altos pueden afectar negativamente a la función de seguridad. Ajuste la ubicación, altitud y velocidad de la aeronave mientras regresa al punto de origen para evitar obstáculos. La aeronave dejará de ascender e inmediatamente volverá al punto de origen si mueve la palanca izquierda cuando la aeronave alcance una altitud de 20 metros (65 pies) o superior durante el modo de seguridad.
- Asegúrese de manejar siempre la aeronave dentro del alcance de transmisión del control remoto.
- Utilice las funciones Failsafe (Seguridad) y regreso al punto de origen en caso de emergencia. Estas funciones pueden verse afectadas por el clima, el entorno o campos magnéticos cercanos.

- La aeronave no puede evitar los obstáculos durante el RTH de seguridad si las condiciones de iluminación no son idóneas. Por lo tanto, es importante definir una altitud de seguridad apropiada antes de cada vuelo.
- Si la carga de la batería lo permite, la aeronave puede volver primero a la última posición en la que registró conexión con el control remoto durante el RTH de seguridad. Si esto sucede, puede que observe que la aeronave primero se aleja de usted para, a continuación, volver al punto de origen.

Batería baja

AVISO

- Cuando se activa la advertencia de nivel de batería crítico y la aeronave está descendiendo de forma automática, puede pulsar el acelerador hacia arriba para mantener la altitud de la aeronave y conducirla a un lugar más apropiado para el aterrizaje.
- Cuando se activen las advertencias de la batería, traiga la aeronave inmediatamente al punto de origen o hágala aterrizar para evitar que pierda carga durante el vuelo y provoque daños a la aeronave, materiales, a animales y a personas.

D-RTK (para M210-RTK)

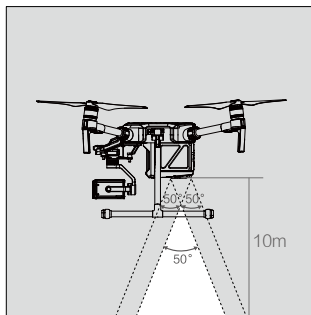
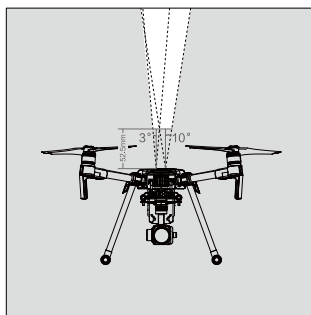
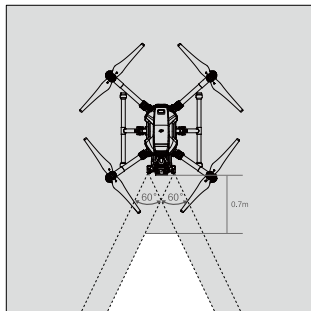
AVISO

- Utilice sólo piezas originales de DJI o certificadas por DJI. Las piezas no autorizadas o piezas de fabricantes no certificados por DJI pueden causar un mal funcionamiento del sistema y comprometer la seguridad.
- Utilice el sistema en espacios abiertos sin interferencias de radio. Las antenas deben mantenerse desplegadas a la misma altura y NO obstruirse entre sí durante el uso.
- NO doble ni pliegue excesivamente el cable de la antena.
- Asegúrese de que el D-RTK™ y sus componentes no están contaminados (p.ej., con agua, aceite, tierra o arena).

Sistema de visión y Sistema de Detección por Infrarrojos

AVISO

- El Sistema de visión no funciona correctamente a través superficies que NO tienen variaciones de patrón claras. El Sistema de visión sólo es eficaz cuando la aeronave se encuentra a altitudes de entre 0,3 y 10 metros.
- Puede que el sistema de visión NO funcione correctamente cuando la aeronave vuele sobre el agua.
- Mantenga los animales domésticos alejados de la aeronave cuando esté activado el sistema de visión, ya que los sensores de sonar emiten sonido de alta frecuencia que sólo pueden oír algunos animales.
- Utilice la aeronave con cuidado cuando se encuentre en cualquiera de las siguientes situaciones:
 - Al volar sobre superficies monocromas (p. ej., negro puro, blanco puro, rojo puro, verde puro);
 - Al volar sobre superficies muy reflectantes.
 - Al volar a altas velocidades (por encima de 14 m/s a 2 metros o por encima de 5 m/s a 1 metro).
 - Al volar sobre el agua o superficies transparentes.
 - Al volar sobre superficies u objetos en movimiento.
 - Al volar sobre una zona en la que la iluminación cambie con frecuencia o de forma drástica.
 - Al volar sobre superficies extremadamente oscuras (< 15 lux) o brillantes (> 10 000 lux).
 - Al volar sobre superficies que puedan absorber ondas de sonido (p. ej., una moqueta gruesa).
 - Al volar sobre superficies sin patrones ni textura definidos.
 - Al volar sobre superficies con patrones o texturas idénticos repetitivos (p. ej., baldosas con el mismo dibujo).
 - Al volar sobre superficies inclinadas que desviarán las ondas acústicas de la aeronave.
 - Obstáculos minúsculos (con menos energía de reflexión infrarroja).
- En caso de pérdida de la señal del control remoto y de que la señal de GPS sea débil, si la aeronave no puede detectar el punto de origen, volará de forma estacionaria durante 8 segundos y aterrizará automáticamente si está en modo "P".
- Es necesario calibrar el sistema de visión si la aeronave sufre una caída. Calibre el sistema de visión si la aplicación DJI GO 4 se lo solicita.
- Tenga siempre en cuenta los puntos ciegos (color gris) del Sistema de Visión y el Sistema de Detección por Infrarrojos.



El sistema de visión inferior sólo se utiliza para posicionamiento.

- No utilice otros dispositivos de ultrasonidos con una frecuencia de 40 KHz o más/menos cuando el sistema de visión esté en funcionamiento. Mantenga los sensores limpios en todo momento. NO manipule los sensores.
- El sistema de visión y el sistema de detección no podrán frenar y detener la aeronave a una distancia segura de un obstáculo si se vuela a más de 14 m/s (31,3 mph).

TapFly

PRECAUCIÓN

Para evitar lesiones graves o daños materiales, respete las siguientes directrices:

- NO indique a la aeronave que vuele hacia personas, animales, objetos pequeños y finos (p. ej., ramas de árboles y tendido eléctrico) u objetos

transparentes (p. ej., vidrio y agua).

2. Preste atención a posibles obstáculos en el área circundante (particularmente en la parte posterior, izquierda y derecha) y manténgala alejada de ellos para evitar accidentes.
3. Prepárese a tomar el control de la aeronave empujando las palancas del control remoto, o pulse el botón STOP en el control remoto o en la pantalla para salir de TapFly en caso de emergencia.

AVISO

1. Es posible que haya desviaciones entre las rutas previstas y reales para la selección de TapFly.
2. El rango de selección en la pantalla es limitado. No se pueden realizar selecciones TapFly cerca de los bordes superior o inferior de la pantalla.
3. El modo TapFly podría NO funcionar correctamente cuando la aeronave está volando sobre el agua o sobre una zona cubierta de nieve.
4. Extremar las precauciones al volar en entornos muy oscuros (< 300 lux) o brillantes (> 10 000 lux).

ActiveTrack

Para evitar lesiones graves y daños materiales, respete las siguientes directrices:

1. Compruebe que no haya personas, animales, objetos pequeños y finos (p. ej., ramas de árboles y tendido eléctrico) u objetos transparentes (p. ej., vidrio y agua) a lo largo de la ruta de seguimiento deseada.
2. Preste atención a posibles obstáculos en el área circundante (particularmente en la parte posterior, izquierda y derecha) y manténgala alejada de ellos para evitar accidentes.
3. Prepárese a tomar el control de la aeronave empujando las palancas del control remoto, o pulse el botón STOP en el control remoto o en la pantalla para salir de ActiveTrack en caso de emergencia.

AVISO

1. Extremar las precauciones al usar ActiveTrack en cualquiera de las siguientes situaciones:
 - a. El movimiento del objetivo que se está siguiendo no está en un plano nivelado;
 - b. El objetivo que se está siguiendo cambia de forma drástica mientras se mueve;
 - c. El objetivo podría estar bloqueado o fuera de la vista durante un largo período de tiempo;
 - d. Cuando el objeto que se está siguiendo está en una zona cubierta de nieve;
 - e. La iluminación es extremadamente baja (< 300 lux) o alta (> 10 000 lux); y
 - f. El objetivo que se está siguiendo tiene un color o un patrón parecido al del entorno circundante.
2. Debe respetar las leyes y normativas de privacidad locales al usar ActiveTrack.

Cumplimiento de las normativas y zonas de exclusión aérea

Normativas

ADVERTENCIA

Para evitar lesiones graves y daños materiales, respete las siguientes reglas:

1. NO utilice la aeronave en las proximidades de aeronaves tripuladas, independientemente de la altitud. (aterrice inmediatamente si es necesario)
2. NO vuele la aeronave en zonas densamente pobladas, incluidas ciudades, eventos deportivos, exhibiciones, actuaciones, etc.
3. NO vuele la aeronave por encima de la altitud autorizada. Permanezca a una distancia suficiente y no interfiera en las operaciones de aeronaves tripuladas. Preste atención y evite otras aeronaves y obstáculos en todo momento.

PRECAUCIÓN

Para evitar lesiones graves y daños materiales, respete las siguientes reglas:

1. NO vuele la aeronave cerca o en el interior de zonas de exclusión aérea especificadas por las leyes y normativas locales. La lista de zonas de exclusión aérea incluye aeropuertos, fronteras entre dos países o regiones soberanas, las principales ciudades o regiones, etc., y se actualizan continuamente.
2. NO vuele la aeronave por encima de la altitud autorizada.
3. Mantenga EN TODO MOMENTO la aeronave dentro de la línea de visión directa (VLOS) y utilice un observador para ayudarle en caso necesario.
4. NO utilice NUNCA la aeronave para transportar mercancías/cargas ilegales o peligrosas.

AVISO

1. Asegúrese de entender la naturaleza/tipo de su operación de vuelo (como ocio, de uso público o con fines comerciales) y de haber obtenido la aprobación y autorización correspondientes de las agencias gubernamentales relacionadas antes del vuelo. Consulte a los reguladores locales para obtener definiciones exhaustivas y requisitos específicos. Para los usuarios que utilicen sus aeronaves en los Estados Unidos, visite primero <http://www.knowbeforeyoufly.org/> y tome las medidas adecuadas a sus circunstancias.
2. Tenga en cuenta que la realización de actividades comerciales para aeronaves accionadas por control remoto puede estar prohibida en determinados países y regiones. Compruebe y siga todas las leyes y ordenanzas vigentes antes de volar, ya que dichas reglas pueden ser distintas a las aquí indicadas.
3. NO vuele cerca de infraestructuras o propiedades sensibles, tales como centrales eléctricas, instalaciones de tratamiento de aguas, centros penitenciarios, carreteras con mucho tráfico, instalaciones gubernamentales, zonas militares, etc.
4. Respete la privacidad de los demás cuando utilice la cámara. NO lleve a cabo operaciones de vigilancia, como captura de imágenes o grabación de vídeo de ninguna persona, entidad, evento, actuación, exhibición o propiedad sin autorización o cuando exista una expectativa de privacidad, incluso si la imagen o el vídeo se captura para uso personal.
5. Tenga en cuenta que, en determinadas zonas, la grabación de imágenes y vídeos de eventos, actuaciones, exhibiciones o propiedades comerciales mediante una cámara podría contravenir los derechos de propiedad intelectual u otros derechos legales, incluso si la imagen o el vídeo fue tomado para uso personal.

Zonas de exclusión aérea

AVISO

DJI se toma muy en serio la seguridad durante el vuelo y, por ello, ha desarrollado diversas ayudas para ayudar a los usuarios a cumplir las reglas y normativas durante el vuelo. Se recomienda firmemente actualizar el firmware a la versión más reciente para garantizar que las siguientes funciones estén completamente actualizadas:

Zonas de exclusión aérea

1. Las zonas de exclusión aérea incluyen, sin limitación, los principales aeropuertos del mundo, las fronteras entre dos países o regiones soberanas, las principales ciudades o regiones, etc.
2. Puede encontrar una lista de zonas de exclusión aérea en el sitio web oficial de DJI en <http://www.dji.com/flysafe/no-fly>; la lista está sujeta a actualizaciones periódicas sin previo aviso conforme a los requisitos normativos más recientes.
3. Algunas zonas de exclusión aérea están compuestas por varias zonas. Cada zona incluye círculos de varios tamaños. La aeronave NO podrá despegar en la parte más interior de la zona de exclusión aérea y descenderá hasta la altitud especificada cuando se aproxime al borde de la misma. Las funciones de la estación en tierra se desactivan cuando la aeronave está dentro de una zona de exclusión aérea.
4. Los usuarios NO pueden configurar puntos de referencia en zonas de exclusión aérea.

Límite de altitud

1. NO vuele por encima de 120 metros (400 pies) sobre el nivel del suelo y permanezca lejos de los obstáculos circundantes. La altitud de vuelo máxima puede ser menor de acuerdo con las leyes y normativas de su país. Siga estrictamente todas las leyes vigentes en su zona.
2. Si tiene previsto volar por encima del límite de altitud predeterminado, es necesario que acepte la renuncia de responsabilidad mostrada para activar el nuevo límite de altitud. Si se define un nuevo límite de altitud, usted entiende y acuerda que los datos, incluidos sin limitación datos de telemetría de vuelo y cambios de límite de altitud, se pueden cargar y conservar en un servidor designado por DJI.

Contenido sujeto a cambios.

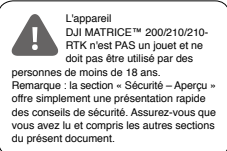
Descargue la última versión en www.dji.com/matrice-200-series

MATRICE es una marca comercial de DJI.
Copyright © 2017 DJI Todos los derechos reservados.

Sécurité – Aperçu

1. Considérations environnementales

- Faites toujours voler l'appareil dans des lieux dégagés, à l'écart des bâtiments et de tout autre obstacle.
- Ne faites PAS voler l'appareil au-dessus ou à proximité d'une foule.
- Évitez de faire voler l'appareil à une altitude supérieure à 120 m (400 pieds)*.
- Faites voler l'appareil dans des conditions météorologiques modérées, à des températures comprises entre -20 et 45 °C (-4 à 113 °F).
- Redoublez de prudence en cas de vol en intérieur, car les fonctions de stabilisation de l'appareil peuvent subir des interférences.
- Ne faites PAS voler l'appareil lorsque la vitesse du vent est supérieure à 10 m/s ou 22 mph.



2. Liste de vérifications avant le vol

- Assurez-vous que les batteries de la radiocommande et de l'appareil sont complètement chargées.
- Avant chaque vol, vérifiez que les hélices sont en bon état et solidement fixées.
- Assurez-vous que les moteurs sont libres de tout obstacle.
- Vérifiez que la lentille de la caméra est propre et ne présente pas de tâches.
- Vérifiez le compas uniquement si l'application DJI GO™ 4 ou le voyant d'état vous y invite.
- Toute altération ou modification des pièces de l'appareil peut avoir des conséquences sur sa stabilité. Respectez strictement les instructions officielles de DJI lorsque vous fixez des équipements externes compatibles. Veillez également à ce que le poids total de l'appareil n'excède pas 6,14 kg après fixation. Assurez-vous de fixer l'équipement externe conformément aux instructions officielles afin d'éviter de déplacer le centre de gravité de l'appareil.

3. Fonctionnement

- Tenez-vous à distance des hélices et des moteurs en rotation.
- Ne perdez jamais de vue l'appareil.
- La fonction d'arrêt du moteur en plein vol est désactivée par défaut (appui sur le bouton RTH tout en abaissant complètement le manche gauche vers l'angle inférieur intérieur pendant 3 secondes). L'utilisateur doit ouvrir l'application DJI GO 4 pour activer cette fonction. N'activez cette fonction qu'en situation d'urgence.
- Ne répondez PAS à des appels ou des messages et n'utilisez PAS de fonctions de votre appareil mobile susceptibles de vous distraire du contrôle de l'appareil lorsqu'il est en vol. NE FAITES PAS voler l'appareil sous l'emprise de l'alcool ou de drogues.
- Ne faites PAS voler l'appareil juste au-dessus de surfaces réfléchissantes, telles que l'eau ou la neige. Celles-ci risquent en effet de nuire aux performances du système optique.
- En cas d'avertissement de batterie faible, faites immédiatement atterrir l'appareil dans un lieu sûr.
- Pendant la procédure de retour au point de départ, vous pouvez ajuster l'altitude de vol afin d'éviter les obstacles.
- Après l'atterrissage, commencez par arrêter le moteur, mettez ensuite la Batterie de Vol Intelligente hors tension, puis éteignez la radiocommande.
- Lors de l'utilisation des fonctions TapFly™ ou ActiveTrack™, soyez prêt à prendre le contrôle de l'appareil en actionnant les manches. Veuillez noter que l'appareil continuera d'utiliser les fonctions TapFly ou ActiveTrack après que vous aurez actionné les manches. Appuyez sur le bouton STOP sur la radiocommande ou sur l'écran pour quitter entièrement ces fonctions en cours.
- Bien qu'il s'agisse d'une technologie avancée, l'appréciation du pilote est requise au cours du vol. Les fonctionnalités d'assistance de vol et de sécurité, comme la détection d'obstacles, la précision d'atterrissage et la protection à l'atterrissage, sont conçues pour vous assister dans l'utilisation de l'appareil, et non pour vous remplacer. Les conditions environnementales comme l'éclairage et la texture des obstacles peuvent influencer les performances du système optique.
- Définissez une altitude de retour au point de départ (RTH) plus élevée que les obstacles environnants dans l'application DJI GO 4.
- La protection à l'atterrissage (détermine si le sol est propice à l'atterrissage à une altitude de 2 mètres au-dessus du sol) sert à optimiser l'expérience d'utilisation de l'appareil. Restez toujours vigilant lorsque que vous contrôlez l'appareil, étant donné que le système optique peut se désactiver dans certaines circonstances (telles qu'un éclairage insuffisant ou des motifs de surface d'obstacle indéterminés) et ainsi entraîner l'échec de la détection de la surface du sol.

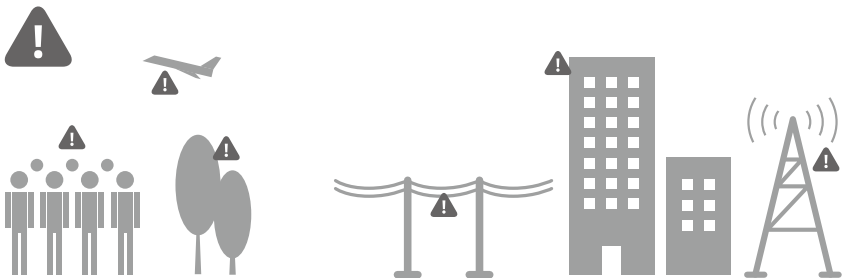
4. Maintenance et entretien

- N'utilisez PAS d'hélices usées, détériorées ou cassées.
- Température de stockage recommandée : entre 22 et 30 °C (71 et 86 °F).
- Pour en savoir plus sur l'utilisation sûre de la batterie, reportez-vous au document Consignes de sécurité relatives à la Batterie de Vol Intelligente.

5. Respect des lois et réglementations locales en vigueur

- Ne faites PAS voler l'appareil dans les zones d'exclusion aérienne. Vous trouverez des informations pertinentes sur ces zones sur le site <http://flysafe.dji.com/>. Consultez les autorités aériennes locales pour obtenir la liste et les réglementations complètes des zones d'exclusion aérienne.
- L'altitude de vol maximale varie en fonction des juridictions. Ne volez PAS au-dessus des altitudes maximales définies par vos lois et réglementations locales.
- Évitez de faire voler l'appareil dans des zones où des équipes de secours utilisent activement l'espace aérien.

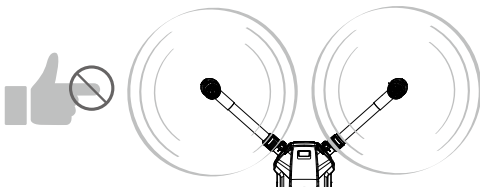
* L'altitude de vol maximale varie en fonction des juridictions. Ne volez PAS au-dessus des altitudes maximales définies par vos lois et réglementations locales.



Évitez de faire voler l'appareil au-dessus ou près des lieux fréquentés, des arbres et des aéroports. Les sources électromagnétiques puissantes, telles que les lignes électriques, les postes de distribution et les grands bâtiments, risquent d'affecter le compas intégré. Nous vous recommandons d'utiliser l'appareil Matrice 210-RTK. Restez toujours vigilant vis-à-vis de votre environnement en vol.



N'utilisez PAS l'appareil dans de mauvaises conditions météorologiques (pluie, neige, brouillard, rafales dont la vitesse dépasse 10 m/s ou 22 mph [35 km/h], etc.).



Tenez-vous à distance des hélices et des moteurs en rotation.



Zone d'exclusion aérienne

Pour en savoir plus, rendez-vous sur le site : <http://fllysafe.dji.com/no-fly>

AVIS

La totalité des instructions et autres documents est sujette à modification à la seule discrétion de SZ DJI TECHNOLOGY CO., LTD (« DJI »). Pour connaître les dernières informations sur le produit, rendez-vous sur le site <http://www.dji.com> et consultez la page produit.

Glossaire

Les termes suivants sont utilisés dans la documentation pour indiquer différents niveaux de danger lors de l'utilisation du produit :

(AVIS) AVIS: procédures qui, si elles ne sont pas suivies correctement, peuvent entraîner des dégâts matériels ET éventuellement un risque modéré de blessures.

(MISE EN GARDE) MISE EN GARDE: procédures qui, si elles ne sont pas suivies correctement, peuvent entraîner des dégâts matériels ET des blessures graves.

(AVERTISSEMENT) AVERTISSEMENT: procédures qui, si elles ne sont pas suivies correctement, peuvent entraîner des dégâts matériels, des dégâts collatéraux et des blessures graves OU un risque élevé de blessures graves.



AVERTISSEMENT

Lisez l'ENSEMBLE du guide de l'utilisateur afin de vous familiariser avec les caractéristiques du produit avant de le faire fonctionner. Une utilisation du produit ne conforme aux instructions du guide de l'utilisateur peut entraîner sa détérioration, ainsi que des risques de dégâts matériels voire de blessures graves.

Ce produit est sophistiqué. Il doit être manipulé avec prudence et bon sens et nécessite des connaissances de base en mécanique. Toute utilisation de ce produit irresponsable et ne respectant pas les consignes de sécurité peut provoquer des blessures, endommager le produit ou entraîner des dégâts matériels. Ce produit n'est pas destiné à être utilisé par des enfants. Utilisez PAS de composants incompatibles et n'essayez PAS de modifier le produit, sauf indication contraire dans les documents pertinents fournis par SZ DJI TECHNOLOGY CO., LTD. Ces consignes de sécurité contiennent des instructions relatives à la sécurité, au fonctionnement et à l'entretien. Lisez et respectez scrupuleusement la totalité des instructions et avertissements du guide de l'utilisateur avant l'assemblage, le réglage et l'utilisation de l'appareil, afin de le manipuler en toute sécurité et d'éviter tout dégât matériel ou toute blessure grave.

ÂGE RECOMMANDÉ : 18 ANS ET PLUS. CECI N'EST PAS UN JOUET.

Liste de vérifications avant le vol

1. Assurez-vous que vous n'utilisez que des pièces authentiques en parfait état.
2. Vérifiez que la radiocommande, la Batterie de Vol Intelligente et votre appareil mobile sont complètement chargés.
3. Vérifiez qu'aucun corps étranger n'est collé à la lentille de la caméra, que la carte microSD est bien insérée dans l'appareil et que la nacelle pivote sans entrave avant la mise sous tension.
4. Vérifiez que les hélices et les plaques de fixation sont bien fixées aux moteurs et que les moteurs démarrent et fonctionnent normalement.
5. Étalonnez le compas en suivant les instructions affichées à l'écran.
6. Assurez-vous de disposer de la dernière version de l'application DJI GO 4 et du firmware de l'appareil.
7. Vérifiez que votre zone de vol se situe hors de toute zone d'exclusion aérienne et que les conditions de vol vous permettent d'utiliser l'appareil.
8. Assurez-vous que vous n'êtes PAS sous l'emprise d'alcool, de drogues ou de toute autre substance susceptible d'altérer vos capacités cognitives.
9. Familiarisez-vous avec le mode de vol sélectionné et assurez-vous que vous comprenez l'ensemble des fonctions et avertissements de sécurité.
10. Veillez à respecter l'ensemble des réglementations locales en vigueur, à vous procurer les autorisations nécessaires et à bien comprendre tous les risques. N'OUBLIEZ PAS : vous êtes tenu(e) de respecter strictement l'intégralité des réglementations applicables.
11. NE PERDEZ JAMAIS DE VUE L'APPAREIL (IL DOIT RESTER DANS VOTRE CHAMP DE VISION). NE vous fiez PAS uniquement à la caméra de vue subjective pour contrôler votre appareil.

12. Vérifiez que l'application DJI GO 4 est activée pour vous assister dans l'utilisation de l'appareil. Sans les données de vol enregistrées par l'application DJI GO 4, DJI™ peut ne pas être en mesure de vous garantir un service après-vente, ni être tenue pour responsable dans certaines situations (y compris la perte de votre appareil).

Clause d'exclusion de responsabilité et mise en garde

Ce produit n'est PAS un jouet et ne doit être utilisé que par des personnes de 18 ans et plus. Les adultes doivent tenir l'appareil hors de portée des enfants et le manipuler avec attention en leur présence.

Étant donné que le produit est doté d'une technologie avancée, une utilisation inappropriée peut causer des blessures ou des dégâts matériels. Avant votre première utilisation du produit, lisez les documents associés au produit. Ces documents sont fournis avec le produit et sont également disponibles en ligne sur la page produit DJI, sur <http://www.dji.com>.

Les informations contenues dans ce document affectent votre sécurité, vos droits et vos obligations. Lisez-le attentivement pour bien configurer votre appareil avant de l'utiliser. Le non-respect des consignes et mises en garde indiquées ci-après peut entraîner la destruction du produit, provoquer de graves blessures ou endommager l'appareil.

En utilisant ce produit, vous confirmez avoir lu attentivement la présente clause d'exclusion de responsabilité, y compris les conditions d'utilisation exposées ici et accepté de vous y conformer. À L'EXCEPTION DE CE QUI A ÉTÉ EXPRESSÉMENT PRÉVU DANS LES POLITIQUES DU SERVICE APRÈS-VENTE DE DJI (DISPONIBLES SUR [HTTP://WWW.DJI.COM/SERVICE/POLICY](http://WWW.DJI.COM/SERVICE/POLICY)), LE PRODUIT ET TOUTS SES MATÉRIAUX, AINSI QUE TOUT LE CONTENU DISPONIBLE VIA LE PRODUIT SONT FOURNIS « EN L'ÉTAT » ET « SELON DISPONIBILITÉ », SANS GARANTIE NI CONDITION D'AUCUNE SORTIE, QUELLE SOIT EXPRESSE OU TACITE. DJI DÉCLINE TOUTE GARANTIE QUELLE QU'ELLE SOIT, SAUF TEL QU'EXPRESSÉMENT STIPULÉ DANS LES POLITIQUES DU SERVICE APRÈS-VENTE DE DJI, EXPRESSE OU TACITE, EN LIEN AVEC LE PRODUIT, LES ACCESSOIRES DU PRODUIT ET TOUTS LES MATÉRIAUX, Y COMPRIS : (A) TOUT GARANTIE TACITE DE QUALITÉ MARCHANDE, D'ADÉQUATION À UN USAGE PARTICULIER, DE TITRE DE PROPRIÉTÉ, DE JOUISSANCE PAISIBLE OU D'ABSENCE DE CONTREFAÇON ; ET (B) TOUTE GARANTIE RÉSULTANT D'UNE NÉGOCIATION, DE L'UTILISATION OU DE PRATIQUES COMMERCIALES. DJI NE GARANTIT PAS, SAUF TEL QU'EXPRESSÉMENT STIPULÉ DANS LA GARANTIE LIMITÉE DJI, QUE LE PRODUIT, LES ACCESSOIRES DU PRODUIT, TOUTE PARTIE DU PRODUIT, OU TOUT MATÉRIEL FONCTIONNERONT DE MANIÈRE ININTERROMPUE, SANS RISQUE OU SANS ERREUR, SERONT DÉPOURVUS DE VIRUS OU DE TOUT AUTRE COMPOSANT MALVEILLANT, ET NE GARANTIT PAS QUE DE TELS PROBLÈMES SERONT CORRIGÉS.

AUCUN CONSEIL OU INFORMATION, OBTENU PAR VOUS, À L'ORAL OU PAR ÉCRIT, CONCERNANT LE PRODUIT, DES ACCESSOIRES DU PRODUIT OU TOUT MATÉRIEL, NE PEUT CRÉER AUCUNE GARANTIE DE LA PART DE DJI OU LE PRODUIT, AUTRE QUE CELLES EXPRESSÉMENT DÉCRITES DANS LES PRÉSENTES. VOUS ASSUMEZ LA TOTALITÉ DES RISQUES POUR TOUT DOMMAGE POUVANT RÉSULTER DE VOTRE UTILISATION OU DE VOTRE ACCÈS AU PRODUIT, AUX ACCESSOIRES DU PRODUIT ET À TOUT MATÉRIEL. VOUS COMPRENEZ ET RECONNAISSEZ QUE VOUS UTILISEZ LE PRODUIT À VOTRE ENTÈRE DISCRÉTION ET À VOS PROPRES RISQUES, ET QUE VOUS ÊTES LE SEUL RESPONSABLE DE TOUTE BLESSURE, TOUT DÉCÈS, TOUT DOMMAGE CAUSÉ À VOS BIENS (Y COMPRIS VOTRE SYSTÈME INFORMATIQUE, APPAREIL MOBILE OU MATÉRIEL DJI UTILISÉ EN LIEN AVEC LE PRODUIT) OU AUX BIENS DE TIERS, OU DE TOUTE PERTE DE DONNÉES RÉSULTANT DE VOTRE UTILISATION DU PRODUIT OU DE VOTRE INCAPACITÉ À L'UTILISER.

CERTAINES JURIDICTIONS PEUVENT INTERDIRE L'EXCLUSION DE GARANTIES ET VOS DROITS PEUVENT VARIER D'UNE JURIDICTION À L'AUTRE.

DJI décline toute responsabilité quant aux dégâts, aux blessures ou aux problèmes découlant directement ou indirectement de l'utilisation de ce produit. L'utilisateur s'engage à respecter la réglementation et les pratiques décrites dans les présentes Consignes de sécurité (sans s'y limiter).

Stockage et utilisation des données

Lorsque vous utilisez notre application mobile, nos produits ou nos autres logiciels, les données concernant l'utilisation et le fonctionnement du produit, telles que les données de télémétrie de vol (vitesse, altitude, autonomie de la batterie, informations sur la nacelle et la caméra, etc.) et les enregistrements d'opérations, peuvent être transmises à DJI. Le

dispositif de stockage interne intégré au produit stocke différents types de données, notamment les données de télémétrie de vol. Les données de télémétrie de vol et d'autres données peuvent également nous être fournies lorsque vous nous transmettez manuellement ces informations à partir du dispositif de stockage interne. Pour plus d'informations, consultez la Politique de confidentialité de DJI (disponible sur <http://www.dji.com/policy>).

Avant de commencer

Ce produit est un appareil volant facile à piloter lorsque les conditions indiquées ci-dessous sont réunies. Rendez-vous sur le site <http://www.dji.com> pour connaître les dernières instructions et mises en gardes. Visitez la page <http://knowbeforeyoufly.org> pour en savoir plus sur la sécurité aérienne et la conformité.

Les documents suivants sont conçus pour vous aider à exploiter le potentiel de votre appareil de façon sécurisée :

Contenu de l'emballage

Clause d'exclusion de responsabilité et consignes de sécurité

Batterie de Vol Intelligente : consignes de sécurité

Guide de démarrage rapide

Guide de l'utilisateur

Avant tout vol, vérifiez la liste des pièces incluses dans le document Contenu de l'emballage et lisez la Clause d'exclusion de responsabilité et les consignes de sécurité. Préparez ensuite votre premier vol en utilisant le Guide de démarrage rapide et en visionnant tous les didacticiels vidéo sur le site officiel de DJI (<http://www.dji.com>). Si vous avez des questions, consultez le Guide de l'utilisateur dans l'application ou sur le site officiel de DJI pour obtenir de plus amples informations. Veillez à bien comprendre l'utilité de chaque pièce, les exigences relatives aux conditions de vol, les principales fonctionnalités et les principaux systèmes d'alerte ainsi que toute la réglementation gouvernementale avant chaque vol. Si vous avez des questions ou rencontrez des problèmes lors de l'assemblage, de l'entretien ou de l'utilisation de ce produit, contactez DJI ou un revendeur agréé DJI.

Pièces détachées

À propos des pièces authentiques et fonctionnelles

⚠ AVERTISSEMENT

Pour éviter tout dysfonctionnement des composants, toute blessure grave ou tout dégât matériel, respectez les consignes suivantes :

1. N'utilisez que des pièces officielles DJI ou certifiées par DJI. L'utilisation de pièces non autorisées ou provenant de fabricants non certifiés par DJI peut entraîner des dysfonctionnements et compromettre votre sécurité.
2. Veillez à ce qu'aucun corps étranger (eau, huile, boue, sable, etc.) ne pénètre dans l'appareil ou ses composants.
3. Assurez-vous que l'appareil et ses composants (notamment la radiocommande, la caméra, la nacelle, le compas, le système de propulsion et la batterie) sont en bon état, ne présentent aucun signe d'endommagement et fonctionnent correctement. Consultez les autres sections de ce document pour savoir comment vérifier le bon fonctionnement de ces composants.
4. NE MODIFIEZ PAS et n'altérez pas l'appareil, ses composants et ses pièces. Toute modification non autorisée peut engendrer des dysfonctionnements et nuire au fonctionnement et à la sécurité de l'appareil.

Radiocommande

⚠ AVIS

1. Assurez-vous que la radiocommande est complètement chargée avant chaque vol.
2. Si la radiocommande est allumée et INACTIVE depuis 5 minutes, elle émet une alerte. Le dispositif s'éteint automatiquement au bout de 6 minutes. Actionnez les manches ou effectuez une autre opération pour annuler l'alerte.
3. Ajustez la bride du support pour appareil mobile de façon à bien maintenir votre appareil mobile.
4. Vérifiez que le support pour appareil mobile est bien installé et ne glisse pas.
5. Vérifiez que les antennes de la radiocommande sont déployées et correctement positionnées pour obtenir un signal de transmission optimal.
6. Réparez ou remplacez immédiatement la radiocommande en cas de dégâts. Si l'antenne de la radiocommande est endommagée, l'appareil risque de mal fonctionner.

7. N'oubliez pas d'appairer l'équipement lors du remplacement de la radiocommande/du récepteur ou de l'ajout d'une nouvelle radiocommande. Consultez le guide de l'utilisateur pour obtenir de plus amples informations.
8. Veillez tout d'abord à mettre l'appareil hors tension (lorsqu'il est sûr de le faire), puis éteignez la radiocommande. Si vous ne respectez pas cette consigne, vous pouvez perdre le contrôle de l'appareil.
9. Chargez complètement la batterie au moins une fois tous les trois mois afin d'optimiser son fonctionnement.

Compas

⚠ MISE EN GARDE

Pour éviter toute blessure grave ou tout dégât matériel éventuel, respectez les consignes suivantes :

En cas de dérive évidente pendant le vol (lorsque l'appareil ne vole PAS en ligne droite), procédez à un atterrissage immédiat.

⚠ AVIS

Étalonnez le compas uniquement si l'application DJI GO 4 ou le voyant d'état vous y invite. Respectez les règles suivantes lors de l'étalonnage du compas :

1. N'ÉTALONNEZ PAS votre compas en cas d'interférences magnétiques (présence de magnétille, structures de stationnement ou sous-sols en béton armé, par exemple).
2. NE PORTEZ AUCUN objet en matériaux ferromagnétiques sur vos lors de l'étalonnage, comme des téléphones portables.
3. Une fois l'étalonnage terminé, l'application DJI GO 4 vous invite à résoudre le problème du compas si ce dernier subit de fortes interférences. Suivez les instructions qui s'affichent pour résoudre le problème.

Systèmes de propulsion

⚠ AVERTISSEMENT

Pour éviter toute blessure liée à la rotation des hélices et des moteurs, à vous-même ou à autrui, respectez les consignes suivantes :

Hélices

1. N'utilisez PAS d'hélices usées, détériorées ou cassées.
2. Mettez toujours l'appareil hors tension avant de toucher les hélices.
3. Manipulez le bord coupant des hélices avec précaution lors du montage et du démontage. Mettez des gants ou prenez d'autres précautions avant de toucher les hélices.
4. Si besoin, utilisez des outils (clé, tournevis, pince, etc.) pour monter ou démonter les hélices.
5. Assurez-vous que les hélices sont bien fixées pour empêcher qu'elles se détachent des moteurs.
6. Si vous les hélices montées, N'ALLUMEZ PAS les moteurs lorsque des personnes ou des animaux se trouvent à proximité de l'appareil.
7. L'utilisation d'hélices tierces peut compromettre l'aérodynamisme de l'appareil. Afin de garantir une qualité et une sécurité optimales lors de chaque vol, nous vous recommandons d'utiliser uniquement des hélices DJI d'origine.
8. Lorsque la température ambiante avoisine 0 °C (32 °F), essayez les hélices avant chaque vol pour éviter qu'elles ne gèlent.

Moteurs

1. Vérifiez que les moteurs sont bien fixés et tournent normalement.
2. N'ESSAYEZ PAS de modifier la structure des moteurs.
3. Une fois le vol terminé, NE TOUCHEZ PAS et n'approchez pas des moteurs pour prévenir tout risque de brûlure.

⚠ MISE EN GARDE

Pour éviter toute blessure grave ou tout dégât matériel éventuel, respectez les consignes suivantes :

1. N'OBSTRUEZ PAS les fentes d'aération des moteurs.
2. N'OBSTRUEZ PAS les fentes d'aération de la structure de l'appareil.

⚠ AVIS

Moteurs

1. Protégez les moteurs de la poussière.
2. Si un moteur est coincé et ne tourne pas librement, exécutez la commande de manche combinée pour l'éteindre immédiatement.

Régulateurs électroniques de vitesse

Vérifiez que les REV n'émettent aucun bruit anormal lors de la mise sous tension.

Application DJI GO 4

AVIS

- Rechargez complètement votre tablette ou votre appareil mobile avant de lancer l'application.
- Les données cellulaires mobiles sont nécessaires lors de l'utilisation de l'application DJI GO 4. Contactez votre fournisseur de télécommunications sans fil pour en savoir plus sur les frais liés à ces données.
- Si vous utilisez un téléphone en guise d'écran mobile, continuez à contrôler l'appareil normalement lorsque vous recevez un appel. NE PRENEZ AUCUN appel téléphonique en cours de vol.
- Lisez attentivement les conseils de sécurité, les messages d'avertissement et les clauses d'exclusion de responsabilité affichées. Familiarisez-vous avec la réglementation locale en matière de vol. Il vous incombe de connaître les réglementations en vigueur et de respecter les consignes de vol associées.
 - Lisez attentivement les messages d'avertissement avant d'utiliser les fonctions de décollage automatique et d'atterrissage automatique.
 - Lisez attentivement les messages d'avertissement avant de redéfinir votre point de départ.
 - Lisez attentivement les messages d'avertissement et la clause d'exclusion de responsabilité avant de dépasser l'altitude maximale autorisée.
 - Lisez attentivement les messages d'avertissement et la clause d'exclusion de responsabilité avant de changer de mode de vol.
- Faites immédiatement atterrir l'appareil en lieu sûr lorsqu'une alerte s'affiche dans l'application.
- Examinez et consultez tous les messages d'avertissement figurant dans la liste de vérification de l'application avant chaque vol.
- Perfectionnez vos techniques de vol dans le simulateur de l'application si vous n'avez jamais utilisé l'appareil ou si vous ne vous sentez pas encore à l'aise avec l'appareil par manque d'expérience.
- Mettez en mémoire les données cartographiques de la zone que vous souhaitez survoler en connectant l'appareil à Internet avant chaque vol.
- L'application a été conçue pour vous assister dans vos opérations. Utilisez votre propre jugement et ne vous fiez PAS à l'application pour contrôler votre appareil.
- Votre utilisation de l'application est soumise aux Conditions d'utilisation de l'application DJI GO 4 et à la Politique de confidentialité de DJI. Lisez attentivement ces documents dans l'application.

Firmware

AVERTISSEMENT

Pour éviter toute blessure grave envers des enfants ou des animaux, respectez les consignes suivantes :

Tenez les enfants et les animaux éloignés lors de la mise à jour du firmware, de la calibration du système et des procédures de réglage des paramètres.

AVIS

- Par mesure de précaution, téléchargez toujours la dernière version du firmware dès qu'un message de mise à niveau s'affiche dans l'application DJI GO 4.
- Les notifications vous informent des mises à niveau du firmware. Il vous incombe de prendre connaissance de ces informations. En outre, vous comprenez et acceptez que vos données (notamment les données de télémétrie de vol et les enregistrements de sélections de l'utilisateur) puissent être téléchargées et stockées sur un serveur désigné par DJI.
- Veillez à mettre à jour le firmware de la radiocommande avec la dernière version après avoir mis à jour le firmware de l'appareil.
- Il se peut que la radiocommande ne soit plus appairée avec l'appareil après la mise à jour. Associez à nouveau la radiocommande et l'appareil.
- Vérifiez tous les branchements et retirez les hélices des moteurs avant de mettre à jour le firmware.

Caméra (en option)

AVERTISSEMENT

Pour éviter toute blessure grave ou tout dégât matériel éventuel, respectez les consignes suivantes :
NOBSTRUZEZ PAS les fentes d'aération de la caméra. La chaleur dégagée peut vous brûler et endommager l'appareil.

AVIS

- Avant d'utiliser la caméra, vérifiez que ses réglages sont adaptés à vos besoins.
- Testez la caméra et vérifiez son fonctionnement avant de tourner des séquences ou de prendre des photos importantes.
- NE RETIREZ PAS la carte MicroSD de l'appareil lorsque celui-ci est

sous tension.

- Le transfert et la copie de photos et de vidéos enregistrées sur l'appareil sont désactivés lorsque la Batterie de Vol Intelligente est hors tension.
- Respectez la procédure de mise hors tension de la Batterie de Vol Intelligente. Dans le cas contraire, les paramètres de votre caméra ne seront PAS enregistrés et les vidéos enregistrés risquent d'être corrompus.
- Quelle que soit la raison, DJI ne pourra en aucun cas être tenu responsable de toute défaillance lors de l'enregistrement d'une vidéo ou une image ou de tout défaut sur des photos ou vidéos enregistrés.

Nacelle (en option)

AVIS

- Les pièces de précision de la nacelle peuvent être endommagées en cas de collision ou d'impact, ce qui peut entraîner un dysfonctionnement.
- N'APPUYEZ PAS sur la nacelle une fois cette dernière sous tension.
- NAJOUTEZ AUCUNE charge utile à la nacelle. Cela risque d'entraîner des dysfonctionnements et d'endommager le moteur.
- La nacelle et le connecteur de la nacelle sont très fragiles. Manipulez-les avec précaution et NE TOUCHEZ PAS le connecteur de la nacelle. Vous risqueriez de l'endommager, auquel cas il ne fonctionnera plus normalement.
- Tenez fermement la nacelle lorsque vous la démontez ou la remontez afin d'éviter qu'elle ne tombe.
- NE FIXEZ ET NE RETIREZ PAS la nacelle quand l'appareil est sous tension.
- Tenez séparément les nacelles simples et les nacelles doubles.
- Lorsque vous utilisez la nacelle simple supérieure ou la nacelle double inférieure, assurez-vous de suivre scrupuleusement le Guide de l'utilisateur afin de fixer correctement les caméras de nacelle compatibles, sans quoi la transmission des images pourrait échouer.

Entretien du produit

Stockage et transport

AVERTISSEMENT

Pour éviter toute blessure grave envers des enfants ou des animaux, respectez les consignes suivantes :
Les petites pièces, telles que les câbles et les sangles, peuvent se révéler dangereuses en cas d'ingestion. Tenez-les hors de portée des enfants et des animaux.

AVIS

- Entreposez la Batterie de Vol Intelligente et la radiocommande dans un endroit frais et sec, à l'abri de la lumière directe du soleil pour éviter toute surchauffe de la batterie LiPo intégrée. Température de stockage recommandée : entre 22 et 30 °C (71 et 86 °F) pour une durée de plus de trois mois. N'entreposez jamais ces éléments dans un environnement où la température est inférieure à -20 °C (-4 °F) ou supérieure à 45 °C (113 °F).
- N'IMMERGEZ PAS la caméra dans l'eau ou tout autre liquide et évitez de l'y exposer. Si l'appareil est mouillé, essuyez-le à l'aide d'un chiffon doux absorbant. Ne tentez pas d'allumer un appareil qui est tombé dans l'eau. Vous risqueriez d'endommager les composants irremédiablement. NE NETTOYEZ PAS la caméra à l'aide de produits contenant de l'alcool, du benzène, des diluants ou d'autres substances inflammables. N'ENTREPOSEZ PAS la caméra dans un endroit humide ou poussiéreux.
- Démontez la nacelle de l'appareil lorsque vous l'entreposez pour une longue durée ou le transportez sur de longues distances.
- NE BRANCHEZ PAS ce produit à une prise USB antérieure à la norme 2.0. NE BRANCHEZ PAS ce produit à un chargeur USB ou à un appareil similaire.

Maintenance et entretien

AVIS

- Contactez les centres de services DJI recommandés pour inspecter ou réparer l'appareil après toute chute ou impact violent. L'utilisation d'un appareil endommagé peut se révéler très dangereuse et entraîner des dommages corporels ainsi que des dégâts matériels.
- Vous pouvez stocker la batterie pendant trois mois si son niveau de charge restant est compris entre 40 % et 65 %. Chargez et déchargez complètement la batterie au moins une fois tous les trois mois afin d'optimiser son fonctionnement.
- Nous vous recommandons de planifier une révision de maintenance toutes les 50 heures de vol afin de garantir la sécurité et la fiabilité du vol.

Exigences relatives aux conditions de vol

Conditions météorologiques et environnement

AVERTISSEMENT

L'appareil est conçu pour fonctionner dans des conditions météorologiques modérées. Pour éviter toute collision, blessure grave ou tout dégât matériel éventuel, respectez les consignes suivantes :

- N'UTILISEZ PAS l'appareil dans des conditions météorologiques extrêmes, notamment en cas de vent violent (plus de 10 m/s), de neige, de pluie, de brouillard, de tempête, de grêle, d'orage, de tornade ou d'ouragan.
- Maintenez l'appareil à une distance d'au moins 30 pieds (10 m) des obstacles, des personnes, des animaux, des bâtiments, des infrastructures publiques, des arbres et des étendues d'eau en cours de vol. Augmentez cette distance à mesure que vous prenez de l'altitude.
- Soyez EXTRÊMEMENT prudent lorsque vous faites voler l'appareil en intérieur. Certaines fonctionnalités de l'appareil, en particulier la fonction de stabilisation, peuvent être influencées.
- Veillez à activer le système optique lors des vols en intérieur. Veuillez noter que le système optique ne fonctionne PAS correctement lorsque l'appareil vole au-dessus d'étendues d'eau, au-dessus de surfaces irrégulières ou dans des conditions de faible luminosité.

AVIS

- Les performances de l'appareil et de la batterie sont sujettes à des facteurs environnementaux, tels que la température et la densité de l'air.
 - Ne faites PAS voler l'appareil lorsque la température est inférieure à -20 °C (-4 °F) ou supérieure à 45 °C (113 °F).
- N'utilisez PAS l'appareil à proximité de lieux d'accidents, d'incendies, d'explosions, d'inondations, de tsunamis, d'avalanches, de glissements de terrain, de tremblements de terre, de tempêtes de poussière et de tempêtes de sable.

Interférence avec les communications

AVIS

- Vérifiez qu'aucune pièce de l'appareil ne présente de dommage dû à un choc ou à une chute. Contactez le service client DJI ou les revendeurs agréés si nécessaire.
- Faites voler l'appareil dans des espaces ouverts. La présence de grands bâtiments ou de structures en acier peut affecter la précision du compas intégré et bloquer le signal GPS.
- Évitez toute interférence entre la radiocommande et d'autres appareils sans fil. Veillez à désactiver le Wi-Fi de votre appareil mobile.
- Soyez extrêmement vigilant lorsque que vous faites voler l'appareil dans des zones parcourues d'interférences magnétiques ou radio. Dans de tels environnements, nous vous recommandons d'utiliser le modèle M210-RTK. Ces zones incluent notamment (SANS s'y limiter) des lignes électriques à haute tension, des grands postes de distribution d'énergie, des stations de base mobiles et des tours de télédiffusion. Dans le cas contraire, la qualité du signal peut être compromise. Des erreurs peuvent également survenir au niveau de la radiocommande et de la transmission vidéo, ce qui peut affecter l'orientation du vol et la précision de la localisation. L'appareil peut se comporter anormalement ou échapper à tout contrôle dans les zones soumises à de fortes interférences.

Utilisation responsable de l'appareil

AVERTISSEMENT

Pour éviter toute blessure grave ou tout dégât matériel, respectez les consignes suivantes :

- Veillez à ne PAS être en état d'ivresse, sous l'emprise de drogues ou sous l'effet d'une anesthésie, et à ne PAS être pris de vertiges, de fatigue, de nausée ou de toute autre affection, physique ou mentale, pouvant altérer votre capacité à utiliser l'appareil en toute sécurité.
- Si vous abaissez le manche gauche vers l'angle intérieur tout en appuyant sur le bouton RTH, le moteur s'arrête alors que l'appareil est en vol. La fonction d'atterrissage de l'appareil ne sera pas déclenchée. N'effectuez PAS la combinaison de commandes surmentionnée, sauf en cas d'urgence. Cette fonctionnalité est désactivée par défaut. Vous pouvez activer la fonctionnalité de cette commande combinée via l'application DJI GO 4.
- Après l'atterrissage, commencez par mettre l'appareil hors tension, puis éteignez la radiocommande.
- Il est INTERDIT de larguer, de lancer, de tirer ou de projeter des charges dangereuses pouvant infliger des blessures à des personnes ou des animaux, et/ou provoquer des dégâts matériels sur des bâtiments.
- N'utilisez PAS un appareil qui s'est écrasé ou a subi un choc accidentel, ni un appareil en mauvais état.

AVIS

- Assurez-vous que vous êtes suffisamment entraîné et que vous connaissez bien les plans d'urgence à appliquer en cas d'accident.
- Veillez à établir un plan de vol et à ne jamais prendre de risques lorsque vous faites voler l'appareil.
- Respectez la vie privée d'autrui lorsque vous utilisez la caméra. Conformez-vous aux lois, aux règlements et aux normes éthiques en matière de vie privée.
- Utilisez UNIQUEMENT ce produit à des fins privées. NE L'UTILISEZ PAS à des fins illégales ou non appropriées (espionnage, opérations militaires, enquêtes non autorisées).
- N'UTILISEZ PAS ce produit pour diffamer, agresser, harceler, traquer, menacer ou violer de quelque autre manière que ce soit les droits d'autrui (notamment le droit à la vie privée et le droit à l'image).
- NE PÉNÉTRÉZ PAS illégalement dans des propriétés privées.

Modes de vol, fonctions et avertissements

Modes de vol

AVERTISSEMENT

Pour éviter toute blessure grave ou tout dégât matériel, respectez la consigne suivante :

AVANT de passer du mode P au mode A ou S, assurez-vous de bien maîtriser le comportement de l'appareil dans chaque mode de vol. En effet, la désactivation du GPS peut vous empêcher d'atterrir en toute sécurité.

AVIS

Le mode P ou le mode S est adapté à la plupart des situations de vol. L'utilisateur peut activer le mode A lorsque les modes P et S sont indisponibles. Lors du vol en mode A, REDOUBLEZ de prudence car certaines fonctions ne sont PAS disponibles dans ce mode. Lors d'un vol en intérieur, l'appareil ne peut pas maintenir un vol stationnaire précis au-dessus de surfaces irrégulières. Consultez la section « Système optique et système de détection infrarouge » pour connaître la liste des critères de vol en intérieur.

- Mode P (positionnement) :** le fonctionnement du mode P est optimal lorsque le signal GPS est fort. L'appareil utilise le GPS et Vision System pour se stabiliser automatiquement, naviguer entre les obstacles et suivre un objet en mouvement. Dans ce mode, les fonctions avancées comme TapFly et ActiveTrack sont actives.
- Mode S (sportif) :** le mode S est identique au mode P en ce qui concerne les paramètres du contrôleur de vol, sauf que les valeurs de gain de l'appareil sont ajustées pour en améliorer la maniabilité. Dans ce mode, la vitesse de vol maximale est plus élevée.
- Mode A (altitude) :** lorsque ni le GPS, ni Vision System ne sont disponibles, l'appareil utilise uniquement son baromètre pour contrôler l'altitude.

Si vous voulez sélectionner les modes permettant de désactiver le guidage GPS (ex. : mode A), vous devez accepter la clause d'exclusion de responsabilité affichée à l'écran pour activer cette fonction. Une fois cette fonction activée, vous comprenez et acceptez que vos données (notamment les données de télémétrie de vol et les enregistrements de fonctions) puissent être téléchargées et stockées sur un serveur désigné par DJI.

Sécurité et retour au point de départ

AVIS

- La fonction Retour au point de départ ne fonctionnera PAS si le signal GPS est trop faible (moins de trois barres) ou si le GPS n'est pas activé.
- Au lieu d'éteindre la radiocommande, appuyez sur le bouton RTH (Return to Home, Retour au point de départ) de la radiocommande pour lancer la procédure de retour de l'appareil au point de départ.
- La présence de grands bâtiments peut nuire au fonctionnement de la fonction Sécurité. Ajustez la position, l'altitude et la vitesse de l'appareil lors du retour au point de départ pour éviter les obstacles. L'appareil stoppe son ascension et revient immédiatement au point de départ si vous actionnez le manche gauche lorsqu'il atteint 20 mètres (65 pieds) d'altitude ou plus et que l'altitude de sécurité (Failsafe) est définie.
- Veillez à garder l'appareil à portée de transmission de la radiocommande.
- Les fonctions Retour au point de départ (RTH) et Failsafe uniquement en cas d'urgence. Ces fonctions peuvent être affectées par la météo, l'environnement ou un champ magnétique proche.
- L'appareil ne peut pas éviter les obstacles lors de la procédure Failsafe RTH lorsque la luminosité n'est pas idéale. Par conséquent, il est important de définir une altitude de sécurité (Failsafe) appropriée avant chaque vol.

- Pendant la procédure de Failsafe RTH, si le niveau de batterie est suffisant, l'appareil peut d'abord revenir à la position où la dernière connexion avec la radiocommande a été établie. Par conséquent, vous pouvez observer l'appareil s'éloigner de vous dans un premier temps, avant de revenir au point de départ.

Niveau de batterie faible

AVIS

- Lorsque l'avertissement de niveau de batterie critique se déclenche et que l'appareil entame sa descente automatiquement, vous pouvez actionner la manette des gaz vers le haut pour maintenir l'altitude de l'appareil et le conduire à un emplacement plus propice à l'atterrissage.
- Lorsque l'avertissement de batterie faible se déclenche, ramenez rapidement l'appareil au point de départ ou atterrissez pour éviter toute panne en cours de vol et prévenir tout dégât matériel ou toute blessure sur des animaux ou des personnes.

D-RTK (pour M210-RTK)

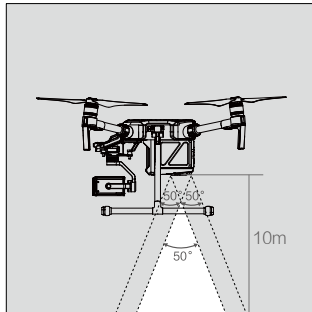
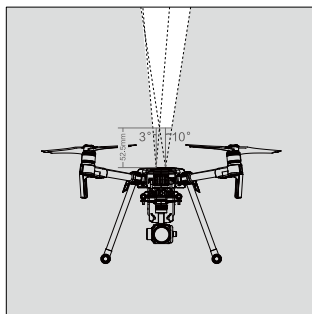
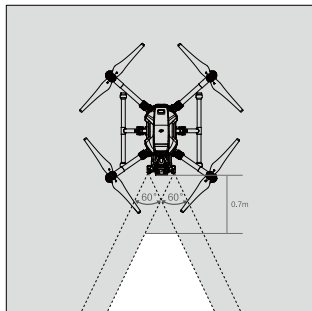
AVIS

- N'utilisez que des pièces officielles DJI ou certifiées par DJI. Les pièces non autorisées ou les pièces de fabricants non agréés par DJI sont susceptibles d'entraîner un dysfonctionnement du système et de compromettre la sécurité.
- Utilisez le produit uniquement dans un environnement dégagé et dépourvu d'interférences radio. Maintenez les antennes à la même hauteur et assurez-vous qu'elles ne se croisent PAS pendant l'utilisation de l'appareil.
- Ne pliez PAS et ne recourbez PAS le câble des antennes de manière excessive.
- Veillez à ce que le D-RTK™ et ses composants soient protégés de toute contamination (par exemple : eau, huile, terre ou sable).

Système optique et système de détection infrarouge

AVIS

- Le système optique ne peut pas fonctionner correctement sur des surfaces SANS variations de motifs nettes. Le système optique n'est efficace qu'entre 0,3 et 10 mètres d'altitude.
- Il se peut que le système optique ne fonctionne PAS correctement lorsque l'appareil survole des étendues d'eau.
- Ne laissez pas vos animaux de compagnie s'approcher de l'appareil lorsque le système optique est activé. Les capteurs à ultrasons émettent des signaux à haute fréquence uniquement perceptibles par certains animaux.
- Faites preuve de vigilance lorsque vous utilisez l'appareil dans les situations suivantes :
 - Survol de surfaces monochromes (noir, blanc, rouge ou vert uni, par exemple) ;
 - Survol de surfaces très réfléchissantes ;
 - Vol à des vitesses élevées (plus de 14 m/s à 2 m ou plus de 5 m/s à 1 m) ;
 - Survol d'étendues d'eau ou de surfaces transparentes ;
 - Survol d'objets ou de surfaces mobiles ;
 - Vol dans une zone où les conditions d'éclairage varient fréquemment ou de manière importante ;
 - Survol de surfaces très sombres (< 15 lux) ou très lumineuses (> 10 000 lux) ;
 - Survol de surfaces pouvant absorber les ondes sonores (tapis épais, par exemple) ;
 - Survol de surfaces sans textures ou motifs distincts ;
 - Vol au-dessus de surfaces présentant des textures ou motifs identiques répétés (carreaux avec le même motif, par exemple) ;
 - Vol au-dessus de surfaces inclinées susceptibles de détourner les ondes sonores de l'appareil ;
 - Survol de petits obstacles (moins d'énergie de réflexion infrarouge).
- En cas de perte du signal de la radiocommande, d'affaiblissement du signal GPS et si l'appareil n'est pas en mesure de détecter le point de départ, celui-ci plane pendant 8 secondes avant d'atterrir automatiquement si le mode « P » est activé.
- L'étalonnage du système optique est nécessaire si l'appareil s'est écrasé. Étalez le système optique si l'application DJI GO 4 vous invite à le faire.
- N'oubliez pas les angles morts (gris) du système optique et du système de détection infrarouge.



Le système optique inférieur sert uniquement au positionnement.

- N'utilisez pas d'appareils à ultrasons d'une fréquence supérieure, égale ou inférieure à 40 kHz si le système optique est activé. Veillez à ce que les capteurs soient toujours propres. N'entrez PAS les capteurs.
- Le système optique et le système de détection infrarouge ne peuvent pas freiner l'appareil, ni l'arrêter à une distance de sécurité suffisante par rapport à un obstacle si le vol à plus de 14 m/s (31,3 mph).

TapFly

MISE EN GARDE

Pour éviter toute blessure grave ou tout dégât matériel, respectez les consignes suivantes :

- NE FAITES PAS voler l'appareil en direction de personnes, animaux, petits objets ou objets fins (par ex. des branches ou des lignes

- électriques), ou des matières transparentes (par ex. du verre ou de l'eau).
2. Prenez garde aux éventuels obstacles dans la zone qui vous entoure (en particulier derrière, à gauche et à droite de l'appareil) et ne vous en approchez pas pour éviter les accidents.
 3. Soyez prêt à prendre le contrôle de l'appareil en actionnant les manches de la radiocommande, ou appuyez sur le bouton STOP de la radiocommande ou sur l'écran pour quitter TapFly en cas d'urgence.

AVIS

1. Les trajectoires de vol attendues et effectives peuvent éventuellement être différentes pour votre sélection TapFly.
2. La plage sélectionnable à l'écran est limitée. Vous ne pouvez pas effectuer des sélections TapFly près des bords supérieur et inférieur.
3. Le mode TapFly peut ne PAS fonctionner correctement lorsque l'appareil survole un plan d'eau ou une zone enneigée.
4. Soyez extrêmement prudent lorsque vous volez dans des environnements très sombres (< 300 lux) ou très lumineux (> 10 000 lux).

ActiveTrack

Pour éviter toute blessure grave et tout dégât matériel, respectez les consignes suivantes :

1. Assurez-vous qu'aucune personne, aucun animal, petit objet ou objet fin (par ex. des branches ou des lignes électriques), ou aucune matière transparente (par ex. du verre ou de l'eau) ne se trouve sur la trajectoire de suivi désirée.
2. Prenez garde aux éventuels obstacles dans la zone qui vous entoure (en particulier derrière, à gauche et à droite de l'appareil) et ne vous en approchez pas pour éviter les accidents.
3. Soyez prêt à prendre le contrôle de l'appareil en actionnant les manches de la radiocommande, ou appuyez sur le bouton STOP de la radiocommande ou sur l'écran pour quitter ActiveTrack en cas d'urgence.

AVIS

1. Soyez extrêmement prudent lors de l'utilisation d'ActiveTrack dans les situations suivantes :
 - a. Le mouvement de l'objet suivi ne se trouve pas dans un plan ;
 - b. La forme de l'objet suivi change considérablement pendant son mouvement ;
 - c. L'objet suivi peut être bloqué ou hors de vue pendant un long laps de temps ;
 - d. L'objet suivi se trouve dans une zone enneigée ;
 - e. La luminosité est extrêmement faible (< 300 lux) ou élevée (> 10 000 lux) ; et
 - f. L'objet suivi est d'une couleur similaire au fond ou ses motifs se fondent dans l'environnement.
2. Vous devez respecter les lois et réglementations locales en matière de confidentialité lors de l'utilisation de la fonction ActiveTrack.

Respect de la réglementation et des zones d'exclusion aérienne

Réglementation

AVERTISSEMENT

Pour éviter toute blessure grave ou tout dégât matériel, respectez les consignes suivantes :

1. Ne faites PAS voler l'appareil à proximité d'un aéronef avec pilote, quelle que soit l'altitude. (Aérerisiez immédiatement si nécessaire)
2. Ne survolez PAS de zones densément peuplées (villes, événements sportifs, expositions, spectacles, etc.).
3. Ne dépassez PAS l'altitude autorisée. Tenez-vous à l'écart et NE PERTURBEZ PAS le fonctionnement des aéronefs avec pilote. Répérez et évitez en permanence les autres appareils et obstacles.

MISE EN GARDE

Pour éviter toute blessure grave ou tout dégât matériel, respectez les consignes suivantes :

1. NE FAITES PAS voler l'appareil à proximité ou à l'intérieur des zones d'exclusion aérienne établies par la réglementation locale en vigueur (aéroports, frontières entre deux pays souverains ou deux régions souveraines, grandes villes/régions, etc.). Cette liste est régulièrement mise à jour.
2. Ne dépassez PAS l'altitude autorisée.
3. Gardez TOUJOURS l'appareil dans votre champ de vision et faites appel à un observateur si besoin.
4. N'utilisez JAMAIS l'appareil pour transporter des marchandises et des charges dangereuses ou illégales.

AVIS

1. Veillez à bien connaître la nature et le cadre d'utilisation de votre appareil (usage récréatif, public ou commercial) et à obtenir les

approbations et autorisations nécessaires auprès des autorités compétentes avant le vol. Adressez-vous aux autorités locales pour connaître les définitions exhaustives et les exigences spécifiques. Si vous résidez aux États-Unis, rendez-vous sur le site <http://www.knowbeforeyoufly.org/> et appliquez les mesures correspondant à votre situation.

2. Notez que dans certains pays et certaines régions, la réalisation d'activités commerciales par des appareils télécommandés est interdite. Consultez les lois et arrêtés applicables avant chaque vol et respectez-les. Les règles en vigueur peuvent différer de celles indiquées dans ce document.
3. Ne faites PAS voler l'appareil à proximité d'infrastructures ou de sites sensibles (centrales électriques, stations d'épuration, établissements correctionnels, routes très fréquentées, sites de l'État, zones militaires, etc.).
4. Respectez la vie privée d'autrui lorsque vous utilisez la caméra. Il est strictement INTERDIT d'espionner (via l'enregistrement d'images ou de vidéos) une personne, une entité, un événement, un spectacle, une exposition, une propriété ou un endroit où la vie privée est censée être protégée sans autorisation, même si les images ou les vidéos enregistrées sont destinées à un usage personnel.
5. Notez que dans certains endroits, l'enregistrement (photo ou vidéo) d'événements, de spectacles, d'expositions ou de propriétés commerciales par le biais d'une caméra constitue une atteinte aux droits d'auteur ainsi qu'à d'autres droits, même si la photo ou la vidéo en question est destinée à un usage personnel.

Zones d'exclusion aérienne

AVIS

La sécurité en vol constitue une priorité pour DJI. Ainsi, nous avons développé divers systèmes pour aider les utilisateurs à respecter les lois et les réglementations en matière de sécurité aérienne. Nous conseillons vivement de télécharger la dernière version du firmware afin d'actualiser les fonctions suivantes :

Zones d'exclusion aérienne

1. Les zones d'exclusion aérienne comprennent notamment les principaux aéroports dans le monde entier, les frontières entre deux pays souverains ou deux régions souveraines, les grandes villes et régions, etc.
2. Vous pouvez consulter la liste des zones d'exclusion aérienne sur le site officiel de DJI à l'adresse <http://www.dji.com/flysafe/no-fly>. Cette liste est mise à jour régulièrement et sans préavis, selon les dernières exigences réglementaires.
3. Certaines zones d'exclusion aérienne comprennent plusieurs zones. Chaque zone présente des cercles de différentes tailles. L'appareil ne peut PAS décoller à l'intérieur de la zone d'exclusion aérienne, et descendra à l'altitude indiquée à l'approche des extrémités de cette zone. La fonction Station au sol est désactivée lorsque l'appareil se trouve dans une zone d'exclusion aérienne.
4. Les utilisateurs n'ont PAS la possibilité de placer des points de passage dans les zones d'exclusion aérienne.

Limite d'altitude

1. Ne volez PAS à plus de 120 mètres (400 pieds) au-dessus du sol et tenez-vous à l'écart de tout obstacle. L'altitude maximum légale peut être plus basse dans votre zone selon les lois et réglementations locales. Conformez-vous strictement à toutes les lois applicables.
2. Pour dépasser la limite d'altitude par défaut, vous devez accepter la clause d'exclusion de responsabilité qui s'active avant d'établir une nouvelle limite d'altitude. Une fois la nouvelle limite établie, vous comprenez et acceptez que vous donnez (notamment les données de télémétrie de vol et de changement de la limite d'altitude) puissent être téléchargées et stockées sur un serveur désigné par DJI.

Contenu sujet à modifications.

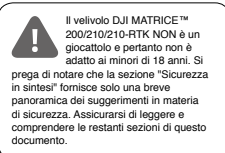
Téléchargez la dernière version à l'adresse
www.dji.com/matrice-200-series

MATRICE est une marque commerciale de DJI.
Copyright © 2017 DJI Tous droits réservés.

Sicurezza in sintesi

1. Considerazioni di carattere ambientale:

- Volare sempre in luoghi privi di edifici e altri ostacoli.
- NON volare al di sopra o in prossimità di grandi folte.
- Evitare di volare ad altitudini superiori a 120 m (400 piedi)*.
- Volare in condizioni meteorologiche favorevoli e con temperature comprese tra -20 e 45 °C (-4 e 113 °F).
- Prestare particolare attenzione durante il volo al chiuso in quanto le caratteristiche di stabilizzazione del velivolo possono subire interferenze.
- NON volare se la velocità del vento è superiore a 10 m/s o 22 mph.



2. Elenco dei controlli preliminari

- Accertarsi che il dispositivo di controllo remoto e le batterie del velivolo siano completamente carichi.
- Prima di ogni volo, assicurarsi che le eliche siano in buone condizioni e che siano fissate saldamente.
- Accertarsi che nulla ostruisca i motori.
- Verificare che l'obiettivo della telecamera sia pulito e privo di macchie.
- Tarare la bussola soltanto quando l'app DJI GO™ 4 o l'indicatore di stato lo richiede.
- L'alterazione e la modifica del velivolo possono influire sulla sua stabilità. Attenersi rigorosamente alle istruzioni ufficiali di DJI per fissare apparecchiature esterne compatibili e verificare che il peso complessivo del velivolo non superi 6,14 kg dopo il fissaggio di tali parti. Assicurarsi che le apparecchiature esterne siano montate in posizione corretta, come indicato nelle istruzioni ufficiali, al fine di evitare lo spostamento del centro di gravità del velivolo.

3. Funzionamento

- Mantenere la distanza dalle eliche rotanti e dai motori.
- Tenere sempre il velivolo nel proprio campo visivo.
- La funzione di spegnimento del motore durante il volo mediante una pressione di 3 secondi del pulsante RTH mentre si tira la levetta sinistra verso l'angolo interno inferiore, viene disabilitata per impostazione predefinita. Per abilitare questa funzione, l'utente deve accedere all'app DJI GO 4. Questa funzione deve essere attivata esclusivamente in una situazione di emergenza.
- NON rispondere alle chiamate in arrivo o ai messaggi di testo, né utilizzare altre funzioni dei dispositivi mobili che potrebbero distrarre dal controllo del velivolo durante il volo. NON utilizzare il velivolo sotto l'influenza di alcool o droghe.
- NON far volare il velivolo immediatamente al di sopra di superfici riflettenti, quali acqua o neve, in quanto possono influire sulle prestazioni del sistema di visione.
- Se viene visualizzato il messaggio di avvertimento di basso livello di carica della batteria, fare atterrare il velivolo immediatamente in un posto sicuro.
- Durante la procedura di ritorno alla posizione iniziale (RTH, Return-to-Home), è possibile regolare l'altitudine di volo per evitare eventuali ostacoli.
- Dopo l'atterraggio, prima di tutto spegnere il motore, quindi disattivare la batteria di volo intelligente e infine spegnere il dispositivo di controllo remoto.
- Quando le funzioni TapFly™ o ActiveTrack™ sono attive, prepararsi ad assumere il controllo del velivolo agendo sulle levette. Tenere presente che il velivolo continuerà ad eseguire le funzioni TapFly o ActiveTrack anche dopo aver agito sulle levette. Premere il tasto STOP sul dispositivo di controllo remoto o sullo schermo per uscire completamente dalle funzioni ancora attive.
- Con la tecnologia avanzata inserita, durante il volo il pilota deve affidarsi al proprio udito. Le funzioni di sicurezza e assistenza al volo, come la funzione per evitare gli ostacoli, l'atterraggio di precisione e la protezione di atterraggio, sono progettate per assistere il velivolo nel suo funzionamento, non per sostituirne il controllo. Condizioni ambientali come l'illuminazione e la forma degli ostacoli possono influire sulle prestazioni del sistema di visione.
- Nell'app DJI GO 4, impostare l'altitudine di ritorno alla posizione iniziale a un valore superiore rispetto agli ostacoli circostanti.
- La funzione di protezione di atterraggio (rileva se il terreno è adatto per l'atterraggio a un'altitudine di 2 metri rispetto al suolo) consente di ottimizzare l'esperienza di volo. Prestare sempre la massima attenzione durante il controllo del velivolo, poiché il sistema di visione potrebbe essere disattivato in determinate circostanze (ad esempio, scarsa luminosità, presenza di ostacoli non chiari) e, di conseguenza, il rilevamento della superficie del terreno potrebbe non essere effettuato.

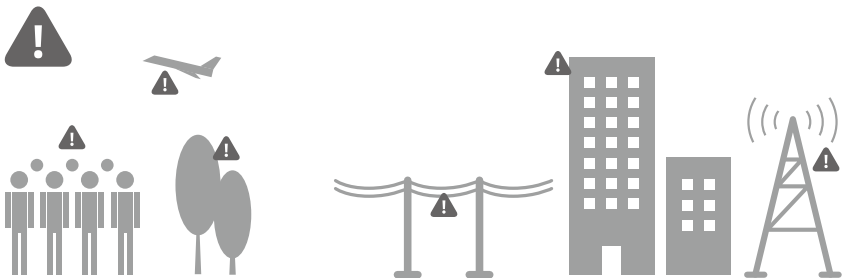
4. Manutenzione e mantenimento

- NON utilizzare eliche usurate, scheggiate o rotte.
- Temperatura di conservazione consigliata: tra 22 e 30 °C (tra 71 e 86 °F).
- Fare riferimento alle Linee guida sulla sicurezza della batteria di volo intelligente per ulteriori informazioni relative a un utilizzo in sicurezza della stessa.

5. Osservare le leggi e le normative locali

- NON volare in zone interdette al volo. Informazioni rilevanti su queste zone sono disponibili sul sito Web <http://flightsafe.dji.com/>. Verificare presso le autorità locali competenti per l'aviazione le normative e gli elenchi completi delle zone interdette al volo.
- I limiti relativi all'altitudine di volo variano nelle diverse giurisdizioni. NON volare ad altitudini superiori a quelle consentite dalle normative e leggi locali.
- Evitare di volare in zone in cui siano impegnate squadre di soccorso che utilizzano attivamente lo spazio aereo.

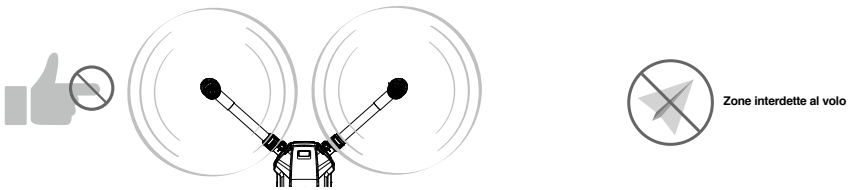
* I limiti relativi all'altitudine di volo variano nelle diverse giurisdizioni. NON volare ad altitudini superiori a quelle stabilite da normative e leggi locali.



Evitare di volare al di sopra o in prossimità di folle, alberi o aeroporti. Sorgenti elettromagnetiche potenti, quali linee elettriche, stazioni di base o edifici alti, possono influire sulla bussola di bordo. Si consiglia di utilizzare Matrice 210-RTK. Prestare la massima attenzione e osservare il volo del velivolo rispetto agli oggetti circostanti.



NON utilizzare il velivolo in condizioni meteorologiche avverse come pioggia, neve, nebbia e venti con velocità superiore a 10 m/s (22 mph).



Mantenere la distanza dalle eliche rotanti e dai motori.

Per saperne di più:
<http://fllysafe.dji.com/no-fly>

AVVISO

Tutte le istruzioni e altri documenti correlati sono soggetti a modifiche a esclusiva discrezione di SZ DJI TECHNOLOGY CO., LTD ("DJI"). Per informazioni aggiornate su questo prodotto, visitate il sito Web <http://www.dji.com> e controllate sulla pagina del prodotto.

Glossario

I seguenti termini sono utilizzati in questo documento per indicare diversi livelli di danni potenziali che possono verificarsi durante il funzionamento di questo prodotto.

AVVISO AVVISO: procedure che, se non seguite correttamente, possono determinare il rischio di danni materiali E rischi minimi o nulli di lesioni.

ATTENZIONE ATTENZIONE: procedure che, se non seguite correttamente, determinano la probabilità di danni materiali E il rischio di lesioni gravi.

AVVERTENZA AVVERTENZA: procedure che, se non seguite correttamente, determinano la probabilità di danni materiali, danni collaterali e lesioni gravi OPPURE determinano un'elevata probabilità di lesioni gravi.



AVVERTENZA

Leggere l'INTERO Manuale utente per acquisire familiarità con le caratteristiche del prodotto prima di utilizzarlo. L'utilizzo non corretto del prodotto secondo le istruzioni del Manuale utente può causare danni materiali o al prodotto e provocare lesioni gravi.

Il presente prodotto è un dispositivo sofisticato. Deve essere utilizzato in maniera attenta e responsabile e richiede delle nozioni base di meccanica. Il mancato utilizzo del prodotto in modo sicuro e responsabile può causare lesioni personali o danni materiali o al prodotto. Questo prodotto non è destinato all'uso da parte di bambini. NON utilizzare in alcun modo componenti non compatibili o alterare questo prodotto al di fuori di quanto previsto dalla documentazione fornita da SZ DJI TECHNOLOGY CO., LTD. Le presenti Direttive sulla sicurezza contengono istruzioni relative alla sicurezza, all'uso e alla manutenzione del prodotto. È importante leggere e seguire tutte le istruzioni e le avvertenze contenute nel Manuale utente prima dell'assemblaggio, dell'installazione o dell'utilizzo, al fine di azionare correttamente il prodotto ed evitare danni o lesioni gravi.

RACCOMANDAZIONE SUI LIMITI DI ETÀ: NON ADATTO AI MINORI DI 18 ANNI. QUESTO PRODOTTO NON È UN GIOCATTOLO.

Elenco dei controlli preliminari

1. Accertarsi di utilizzare solo componenti originali e in perfette condizioni.
2. Accertarsi che il dispositivo di controllo remoto, la batteria di volo intelligente e il dispositivo mobile siano completamente carichi.
3. Prima di attivare la telecamera, assicurarsi che non vi sia alcun oggetto estraneo sulla lente, che la scheda micro-SD sia inserita e che il gimbal possa ruotare liberamente.
4. Assicurarsi che le eliche e le piastre di montaggio siano saldamente montate sui motori e che i motori possano avviarsi e funzionino normalmente.
5. Seguire le istruzioni visualizzate sullo schermo per tarare la bussola.
6. Assicurarsi che l'app DJI GO 4 e il firmware del velivolo siano stati aggiornati alla versione più recente.
7. Assicurarsi che l'area di volo non si trovi in zone interdette al volo e che le condizioni di volo siano adatte all'utilizzo del velivolo.
8. Accertarsi di NON pilotare il velivolo sotto l'influenza di alcool, droghe o altre sostanze che possano compromettere le capacità cognitive.
9. Acquisire familiarità con la modalità di volo selezionata e comprendere tutte le funzioni e le avvertenze di sicurezza.
10. Attenersi a tutte le direttive locali, ottenere le autorizzazioni necessarie e comprendere i rischi del volo. **IMPORTANTE:** è esclusiva responsabilità dell'utente conformarsi alle normative applicabili in materia di volo.
11. **TENERE SEMPRE IL VELIVOLO NEL PROPRIO CAMPO VISIVO (A VISTA D'OCCHIO).** Per controllare efficacemente il velivolo, NON fare affidamento solo sulla prospettiva della telecamera.
12. Assicurarsi che l'app DJI GO 4 venga avviata correttamente per assistere il velivolo nel suo funzionamento. Senza i dati di volo registrati dall'app DJI GO 4, in determinate situazioni (compresa la perdita del velivolo), DJI™ potrebbe non essere in grado di fornire il supporto post-vendita all'utente o assumersi la responsabilità.

Limitazioni di responsabilità e avvertimenti

Questo prodotto NON è un giocattolo e non è pertanto adatto ai minori di 18 anni. Gli adulti dovrebbero tenere il velivolo fuori della portata dei bambini ed esercitare la dovuta cautela nell'azionarlo in presenza di bambini.

Quando il prodotto adotta la tecnologia avanzata, l'uso improprio dello stesso può provocare lesioni a persone o danni materiali. Prima del primo utilizzo del prodotto, leggere la documentazione a esso associata. La presente documentazione è inclusa nella confezione del prodotto ed è inoltre disponibile on-line sulla pagina dei prodotti DJI all'indirizzo <http://www.dji.com>.

Le informazioni contenute nel presente documento riguardano la sicurezza, i diritti e le responsabilità legali degli utenti. Leggere con attenzione l'intero documento per garantire la corretta configurazione dell'apparecchio prima dell'uso. La mancata lettura del presente documento e l'insosservanza delle istruzioni e delle avvertenze in esso contenute possono risultare in perdite di prodotto, gravi lesioni personali o danni al velivolo.

Utilizzando il prodotto, l'utente dichiara di aver letto e compreso le limitazioni di responsabilità e di accettare i termini e le condizioni ivi specificati. SALVO QUANTO ESPRESSAMENTE PREVISTO NELL'INFORMATIVA DI ASSISTENZA POST-VENDITA DJI (INFORMATIVA DISPONIBILE SU [HTTP://WWW.DJI.COM/SERVICE/POLICY](http://www.dji.com/service/policy)), IL PRODOTTO E TUTTI I MATERIALI E I CONTENUTI DISPONIBILI SUL PRODOTTO VENGONO FORNITI "COSÌ COME SONO" E IN BASE "ALLA DISPONIBILITÀ", SENZA GARANZIA O CONDIZIONE DI ALCUN TIPO, ESPRESSA O IMPLICITA. DJI NON RICONOSCE GARANZIE DI ALCUN TIPO, AD ECCEZIONE DI QUANTO ESPRESSAMENTE PREVISTO NELL'INFORMATIVA DI ASSISTENZA POST-VENDITA ESPLICITA O IMPLICITA, RELATIVA A PRODOTTO, ACCESSORI DEL PRODOTTO E TUTTI I MATERIALI, COMPRESI TRA LE ALTRE: (A) LE GARANZIE IMPLICITE DI COMMERCIALIZZABILITÀ E IDONEITÀ A UNO SCOPO PARTICOLARE, TITOLO, QUIETO GODIMENTO O ASSENZA DI VIOLAZIONI; E (B) LE GARANZIE DERIVANTI DA TRATTATIVE, USI O CONSUETUDINI COMMERCIALI. DJI NON GARANTISCE, AD ECCEZIONE DI QUANTO ESPRESSAMENTE PREVISTO NELLA GARANZIA LIMITATA DJI, CHE IL PRODOTTO, GLI ACCESSORI DEL PRODOTTO O QUALSIASI PARTE DEL PRODOTTO O MATERIALE, SARA ININTERROTTO, SICURO O PRIVO DI ERRORI, VIRUS O ALTRI COMPONENTI DANNOSI E NON GARANTISCE CHE UNO DI QUESTI PROBLEMI VENGA CORRETTO.

NESSUN CONSIGLIO O INFORMAZIONE, VERBALE O SCRITTO, OTTENUTO DALL'UTENTE DEL PRODOTTO, DEGLI ACCESSORI DEL PRODOTTO O DI ALTRO MATERIALE GENERERÀ ALCUNA GARANZIA RELATIVA A DJI O AL PRODOTTO CHE NON SIA ESPRESSAMENTE INDICATA IN QUESTI TERMINI. L'UTILIZZATORE SI ASSUME TUTTI I RISCHI PER I DANNI CHE POSSONO DERIVARE DALL'USO O DALL'ACCESSO AL PRODOTTO, AGLI ACCESSORI DEL PRODOTTO E AI MATERIALI. L'UTILIZZATORE RICONOSCE E ACCETTA DI UTILIZZARE IL PRODOTTO A PROPRIA DISCREZIONE E RISCHIO E CHE È IL SOLO RESPONSABILE DI EVENTUALI LESIONI A PERSONE, MORTE, DANNI AI PROPRI MATERIALI (INCLUSO IL SISTEMA DEL PROPRIO COMPUTER O DISPOSITIVO MOBILE O L'HARDWARE DJI UTILIZZATO INSIEME AL PRODOTTO) O AI MATERIALI DI PROPRIETÀ DI TERZI, O PERDITA DI DATI DERIVANTE DALL'UTILIZZO DEL PRODOTTO O DALL'INCAPACITÀ DI UTILIZZARE LO STESSO.

ALCUNE GIURISDIZIONI POSSONO NON CONSENTIRE LE LIMITAZIONI DI RESPONSABILITÀ DI ALCUNE GARANZIE E L'UTILIZZATORE POTREBBE AVERE ALTRI DIRITTI CHE VARIANO DA GIURISDIZIONE A GIURISDIZIONE.

DJI declina ogni responsabilità per danni, lesioni o altre responsabilità legali direttamente o indirettamente imputabili all'utilizzo del presente prodotto. L'utente è tenuto a osservare pratiche di condotta sicure e legittime, ivi comprese, ma non limitatamente a, quelle esposte nelle presenti direttive sulla sicurezza.

Archiviazione e uso dei dati

Durante l'utilizzo della nostra app per dispositivi mobili e dei nostri prodotti o altri software, i dati riguardanti l'utilizzo e il funzionamento del prodotto stesso, quali ad esempio le informazioni relative alla telemetria di volo (ad esempio velocità, altitudine, durata della batteria e informazioni circa il gimbal e la telecamera), così come i registri di attività, possono essere inviati a DJI. Il dispositivo interno di memorizzazione incorporato nel prodotto memorizza vari tipi di dati, ivi comprese le informazioni relative alla telemetria di volo. L'utente può inoltre fornire dati relativi alla telemetria di volo e altro quando trasmette manualmente informazioni dalla memoria interna a DJI.

Per ulteriori informazioni fare riferimento all'informativa sulla privacy DJI (disponibile all'indirizzo <http://www.dji.com/policy>).

Prima di cominciare

Il presente prodotto è un velivolo di facile utilizzo quando si trova in buono stato di funzionamento, così come esposto di seguito. Visitare <http://www.dji.com> per le istruzioni e le avvertenze aggiornate e <http://knowbeforeyoufly.org/> per ulteriori informazioni sulla sicurezza in volo e la conformità alle disposizioni applicabili.

I seguenti documenti sono stati prodotti per aiutare l'utente a operare in totale sicurezza e sfruttare pienamente le potenzialità del velivolo:

Contenuto della confezione

Limitazioni di responsabilità e direttive sulla sicurezza

Direttive sulla sicurezza della batteria di volo intelligente

Guida di avvio rapido

Manuale utente

Controllare tutti i componenti elencati nel documento Contenuto della confezione e leggere le Limitazioni di responsabilità e Direttive sulla sicurezza prima del volo. Prepararsi quindi al primo volo facendo riferimento alla Guida rapida e guardando i tutorial sul sito ufficiale DJI (<http://www.dji.com>). In caso di dubbi, per informazioni più dettagliate, fare riferimento al Manuale utente, consultabile sull'app o sul sito Web ufficiale DJI. Prima di ogni volo, accertarsi di aver compreso appieno le funzionalità di ogni singolo componente, i requisiti di volo, le principali funzioni/ sistemi di avvertimento in caso di emergenza e le normative locali applicabili. Per eventuali domande o problemi relativi all'assemblaggio, alla manutenzione o all'utilizzo di questo prodotto, si prega di contattare DJI o un rivenditore autorizzato DJI.

Singoli componenti

Componenti originali e funzionali

AVVERTENZA

Per evitare il malfunzionamento dei componenti, lesioni gravi e danni materiali, osservare le seguenti regole:

1. Utilizzare solo componenti originali DJI o certificati da DJI. Componenti non autorizzati o prodotti da costruttori sprovvisti di certificazione DJI possono causare il malfunzionamento del sistema e compromettere la sicurezza.
2. Accertarsi che all'interno del velivolo e nei suoi componenti non siano presenti corpi estranei (acqua, olio, terriccio, sabbia, ecc.).
3. Accertarsi che il velivolo e i suoi componenti (ivi compresi, ma non limitatamente a, dispositivo di controllo remoto, telecamera, gimbal, bussola, sistema di propulsione e batteria) siano in buone condizioni, privi di danni e correttamente funzionanti. Fare riferimento alle restanti sezioni del presente documento per ulteriori informazioni su come garantire il corretto funzionamento di tali componenti.
4. NON modificare o alterare il velivolo, i suoi componenti e le parti di ricambio. Le modifiche non autorizzate possono causare malfunzionamenti e compromettere la funzionalità e la sicurezza del velivolo.

Dispositivo di controllo remoto

AVVISO

1. Accertarsi che il dispositivo di controllo remoto sia completamente carico prima di ogni volo.
2. Se il dispositivo di controllo remoto è acceso ma NON viene utilizzato per 5 minuti, emette un segnale sonoro. Il dispositivo si spegne automaticamente dopo 6 minuti. Muovere le levette o eseguire un'altra azione per interrompere il segnale.
3. Regolare la staffa del supporto per dispositivo mobile per consentire una presa salda sul dispositivo stesso.
4. Accertarsi che il supporto per dispositivo mobile sia saldamente in posizione e non scivoli.
5. Accertarsi che le antenne del dispositivo di controllo remoto siano aperte e posizionate in modo tale da ottenere la migliore qualità di trasmissione possibile.
6. In caso di danneggiamento, riparare o sostituire il dispositivo di controllo remoto. Se l'antenna del dispositivo di controllo remoto è danneggiata, le prestazioni ne risentiranno sensibilmente.
7. Qualora si desiderasse sostituire il dispositivo o il ricevitore di controllo remoto, oppure aggiungere un ulteriore dispositivo, è necessario

effettuare un nuovo collegamento. Per ulteriori dettagli, fare riferimento al Manuale di Istruzioni.

8. Assicurarsi di spegnere prima il velivolo (solo in condizioni di sicurezza) e poi il dispositivo di controllo remoto. In caso contrario, si potrebbe perdere il controllo del velivolo.
9. Caricare e scaricare completamente la batteria almeno una volta ogni tre mesi per mantenerla in buone condizioni.

Bussola

ATTENZIONE

Per evitare gravi lesioni e danni materiali, osservare la seguente regola: atterrare immediatamente in caso di evidente deriva in volo, ossia se il velivolo NON vola in linea retta.

AVVISO

Tarare la bussola solo quando l'app DJI GO 4 o l'indicatore di stato lo richiedono. Per tarare la bussola, rispettare le regole seguenti:

1. NON tarare la bussola dove sono possibili forti campi magnetici, come in presenza di magnetite, nei parcheggi e in presenza di rinforzi sotterranei in acciaio.
2. NON trasportare materiali ferromagnetici quali telefoni cellulari durante la taratura.
3. L'app DJI GO 4 chiede di risolvere il problema della bussola se è presente una forte interferenza che la influenza dopo la taratura. Per risolvere il problema della bussola, attenersi alle istruzioni richieste.

Sistemi di propulsione

AVVERTENZA

Per prevenire lesioni gravi a sé stessi o ad altri causate dalla rotazione di eliche e motori, osservare le seguenti regole:

Eliche

1. NON utilizzare eliche usurate, scheggiate o rotte.
2. Spegnere sempre il velivolo prima di toccare le eliche.
3. Prestare attenzione ai bordi affilati delle eliche durante il fissaggio o la rimozione delle stesse. Indossare guanti protettivi o adottare altre misure appropriate quando si toccano le eliche.
4. Qualora necessario, utilizzare strumenti adeguati per la rimozione o l'installazione delle eliche (ad esempio chiavi inglesi, cacciaviti, pinze, ecc.).
5. Accertarsi che le eliche siano saldamente montate sui motori per evitare la caduta.
6. NON accendere i motori quando le eliche sono montate se nelle immediate vicinanze sono presenti persone o animali.
7. L'utilizzo di eliche di terze parti può compromettere l'aerodinamica del velivolo. Per una migliore e più sicura esperienza di volo, si raccomanda di utilizzare esclusivamente eliche originali DJI.
8. Prima di ogni volo, pulire le eliche in modo che siano asciutte se la temperatura è attorno a 0 °C (32 °F) per prevenire il congelamento delle eliche.

Motori

1. Accertarsi che i motori siano montati saldamente e ruotino senza difficoltà.
2. NON tentare di modificare la struttura dei motori.
3. NON toccare o lasciare che le mani o altre parti del corpo entrino in contatto con i motori dopo il volo, in quanto questi ultimi potrebbero essere caldi.

ATTENZIONE

Per evitare potenziali gravi lesioni e danni materiali, osservare le seguenti regole:

1. NON bloccare i fori di ventilazione presenti sui motori.
2. NON bloccare i fori di ventilazione presenti sul braccio del telaio del velivolo.

AVVISO

Motori

1. Mantenere i motori privi di polvere.
2. Se un motore è inceppato e non può ruotare liberamente, eseguire il CSC (combinazione di comandi da levette) per arrestare immediatamente i motori.

Dispositivi elettronici di controllo della velocità (ESC)

Accertarsi che gli ESC emettano un suono normale quando sono accessi.

App DJI GO 4

AVVISO

1. Accertarsi che il tablet o dispositivo mobile sia completamente carico prima di avviare l'app.
2. Durante l'utilizzo dell'app DJI GO 4 è necessario disporre di dati cellulari mobili. Contattare l'operatore locale per conoscere il costo del traffico dati.
3. Se il dispositivo mobile è un telefono cellulare, accertarsi di continuare a volare in modo sicuro anche in caso di chiamate in arrivo. NON rispondere a eventuali chiamate telefoniche durante il volo.
4. Leggere con attenzione i consigli di sicurezza visualizzati, i messaggi di avvertimento e le avvertenze. Acquisire familiarità con le normative locali rilevanti. È esclusiva responsabilità dell'utente informarsi sulle direttive applicabili in materia di volo e mantenere una condotta conforme alle stesse.
 - a. Leggere e comprendere i messaggi di avvertimento prima di utilizzare le funzioni di decollo e atterraggio automatico.
 - b. Leggere e comprendere i messaggi di avvertimento prima di reimpostare la posizione iniziale.
 - c. Leggere e comprendere i messaggi di avvertimento e le limitazioni di responsabilità prima di impostare un'altitudine superiore ai limiti regolamentari.
 - d. Leggere e comprendere i messaggi di avvertimento e le limitazioni di responsabilità prima di passare da una modalità di volo a un'altra.
5. Fare atterrare immediatamente il velivolo in un posto sicuro se l'app mostra una notifica di allarme.
6. Esaminare e spuntare tutti i messaggi di avvertimento sulla lista di controllo visualizzata nell'app prima di ogni volo.
7. Utilizzare il simulatore integrato nell'app per affinare le proprie capacità di volo qualora NON si avesse alcuna esperienza o non ci si sentisse sufficientemente sicuri nell'utilizzare il velivolo.
8. Salvare in cache le mappe della zona in cui si intende volare connettendosi a Internet prima di ogni volo.
9. L'app è progettata per assistere il funzionamento. Per controllare il velivolo, affidarsi al proprio udito e non fare affidamento sull'app.
10. L'utilizzo dell'app è soggetto ai termini di utilizzo dell'app DJI GO 4 e all'informativa sulla privacy di DJI. Leggerle attentamente ciò che compare nell'app.

Firmware

AVVERTENZA

Per evitare lesioni gravi a bambini e animali, osservare la seguente regola: **tenere i bambini e gli animali a distanza di sicurezza durante l'aggiornamento del firmware, la taratura del sistema e le procedure di impostazione dei parametri.**

AVVISO

1. Per motivi di sicurezza, aggiornare sempre il firmware alla versione più recente quando l'app DJI GO 4 mostra una notifica di aggiornamento.
2. Le notifiche di aggiornamento del firmware riportano informazioni sui nuovi aggiornamenti del firmware. Le informazioni riportate vanno pertanto lette e comprese. L'utente comprende e accetta, inoltre, che i dati, ivi compresi ma non limitatamente alle informazioni relative alla telemetria di volo e ai registri di selezione utente, possono essere caricati e archiviati su un server designato da DJI.
3. Accertarsi di aggiornare il firmware del dispositivo di controllo remoto alla versione più recente dopo aver aggiornato il firmware del velivolo.
4. Il dispositivo di controllo remoto può risultare scollegato dal velivolo dopo l'aggiornamento. In tal caso, collegare nuovamente il dispositivo di controllo remoto e il velivolo.
5. Verificare tutti i collegamenti e rimuovere le eliche dai motori prima di eseguire l'aggiornamento del firmware.

Fotocamera (opzionale)

AVVERTENZA

Per evitare gravi lesioni e danni materiali, osservare la seguente regola: **NON bloccare i fori di ventilazione presenti sulla fotocamera, in quanto il calore generato potrebbe causare lesioni all'utente e danneggiare il dispositivo.**

AVVISO

1. Controllare le impostazioni della telecamera prima dell'uso per accertarsi di poterle regolare in base alle proprie esigenze.
2. Testare la fotocamera scattando qualche immagine di prova e verificarne il corretto funzionamento prima di eseguire riprese fotografiche o video importanti.

3. NON rimuovere la scheda micro-SD dal velivolo quando quest'ultimo è acceso.
4. Non è possibile trasmettere o copiare foto e video dal velivolo se la batteria di volo intelligente è spenta.
5. Accertarsi di spegnere correttamente la batteria di volo intelligente; in caso contrario, le impostazioni della telecamera NON saranno salvate ed eventuali video registrati potrebbero risultare danneggiati.
6. A prescindere dal motivo, DJI declina ogni responsabilità per eventuali foto o riprese video non registrate o registrate in maniera illeggibile elettronicamente.

Giabal (opzionale)

AVVISO

1. Gli elementi di precisione del giabal possono essere danneggiati da collisioni o impatti, causando il malfunzionamento del giabal stesso.
2. NON applicare forze esterne al giabal dopo l'accensione.
3. NON aggiungere carichi al giabal, in quanto ciò può portare al malfunzionamento del giabal stesso o addirittura causare danni al motore.
4. Il giabal e il connettore del giabal sono molto delicati. Maneggiare con cura e NON toccare il connettore del giabal, qualsiasi danno ne può provocare il funzionamento anomalo.
5. Tenere il giabal ben saldo durante la sua rimozione o il suo riposizionamento, in modo che non cada.
6. NON collegare o scollegare il giabal quando il velivolo è acceso.
7. Il giabal singolo e i giabal doppi dovrebbero essere utilizzati separatamente.
8. Se si utilizza un giabal singolo verso l'alto e i giabal doppi verso il basso, assicurarsi di attenersi rigorosamente alle istruzioni del Manuale utente montando le telecamere giabal compatibili correttamente; in caso contrario la trasmissione delle immagini potrebbe non essere effettuata.

Cura del prodotto

Conservazione e trasporto

AVVERTENZA

Per evitare lesioni gravi a bambini e animali, osservare la seguente regola: **Componenti di piccole dimensioni, come ad esempio cavi e fascette, sono pericolosi in caso di ingestione. Mantenere tutti i componenti fuori dalla portata di bambini e animali.**

AVVISO

1. Conservare la batteria di volo intelligente e il dispositivo di controllo remoto in un luogo fresco e asciutto, lontano dalla luce diretta del sole, affinché la batteria LiPo integrata NON si surriscaldi. Temperatura di conservazione raccomandata: da 22 a 30 °C (da 71 °a 86 °F) per periodi di mancato utilizzo superiori a tre mesi. Non conservare mai il prodotto in ambienti con temperature che non rientrino nella gamma compresa tra -20 e 45 °C (-4 °F e 113 °F).
2. NON consentire alla telecamera di entrare in contatto con, o essere immersa in, acqua o altri tipi di liquido. Se la telecamera si bagna, asciugarla con panno morbido e assorbente. L'accensione di un velivolo che è caduto in acqua può causare danni permanenti ai componenti. NON utilizzare sostanze contenenti alcol, benzene, solventi o altre sostanze infiammabili per pulire o effettuare la manutenzione della telecamera. NON conservare la telecamera in ambienti umidi o polverosi.
3. Scollegare il giabal dal velivolo durante un periodo di mancato utilizzo prolungato o per il trasporto su lunghe distanze.
4. NON collegare questo prodotto a interfacce USB anteriori alla versione 2.0. NON collegare questo prodotto a "prese USB con alimentazione" o dispositivi simili.

Manutenzione e mantenimento

AVVISO

1. Rivolgersi ai centri di assistenza raccomandati da DJI per l'ispezione del prodotto o per la riparazione dopo ogni urto o impatto violento. L'utilizzo di un velivolo danneggiato è molto pericoloso e può causare lesioni personali o danni materiali.
2. È possibile conservare la batteria fino a tre mesi mantenendo il livello di carica compreso tra il 40 e il 65%. Caricare e scaricare completamente la batteria almeno una volta ogni tre mesi per mantenerla in buone condizioni.
3. Si raccomanda di programmare un intervento di manutenzione ogni 50 ore di volo al fine di garantire la sicurezza e l'affidabilità durante il volo.

Requisiti ambientali di volo

Condizioni meteorologiche e ambiente circostante

⚠ AVVERTENZA

Il velivolo è stato progettato per operare in condizioni meteorologiche da favorevoli a moderate. Per evitare collisioni, gravi lesioni e danni materiali, osservare le seguenti regole:

1. NON utilizzare il velivolo in condizioni climatiche difficili. Queste includono venti con velocità superiori a 10 m/s, neve, pioggia, smog, forti raffiche di vento, grandine, fulmini, tornado o uragani.
2. Mantenere il velivolo ad almeno 10 metri (30 piedi) di distanza da ostacoli, persone, animali, edifici, infrastrutture pubbliche, alberi e corpi d'acqua quando è in volo. Mano a mano che l'altitudine del velivolo aumenta, mantenere una distanza di sicurezza maggiore dagli oggetti sopra elencati.
3. Prestare ESTREMA attenzione quando si opera il velivolo in ambienti chiusi. Alcune caratteristiche del velivolo, soprattutto la funzione di stabilizzazione, possono subire modifiche.
4. Assicurarsi di abilitare il sistema di visione quando si utilizza il velivolo in ambienti chiusi. Il sistema di visione potrebbe NON funzionare correttamente quando si fa volare il velivolo sull'acqua, su superfici senza un chiaro disegno o in un ambiente poco luminoso.

AVVISO

1. Le prestazioni del velivolo e della batteria sono soggette a fattori ambientali quali la densità e la temperatura dell'aria.
 - a. NON utilizzare il velivolo se la temperatura non rientra nella gamma compresa tra -20 e 45 °C (-4 e 113 °F).
2. NON utilizzare il velivolo in prossimità di incidenti, incendi, esplosioni, inondazioni, tsunami, valanghe, smottamenti, terremoti e tempeste di polvere o sabbia.

Interferenze con le comunicazioni

AVVISO

1. Effettuare un controllo su qualsiasi parte del velivolo che abbia subito un urto o uno schianto. Se necessario, rivolgersi al supporto DJI o ai rivenditori autorizzati.
2. Volo in zone aperte. Edifici alti o strutture in acciaio possono influenzare la precisione della bussola di bordo e interferire con il sistema GPS.
3. Evitare le interferenze tra il dispositivo di controllo remoto e altri apparecchi wireless. Accertarsi di disattivare il Wi-Fi del proprio dispositivo mobile.
4. Prestare la massima attenzione durante il volo in prossimità di aree con interferenze magnetiche o radio; si consiglia l'uso del sistema M210-RTK in tali aree con interferenze. Queste includono, ma NON sono limitate a: linee ad alta tensione, centrali elettriche di trasmissione o stazioni base di telefonia mobile su larga scala e torri di radio e telediffusione. Il mancato rispetto di tale precauzione può compromettere la qualità delle trasmissioni del prodotto o causare anomalie nel funzionamento del dispositivo di controllo remoto e nelle trasmissioni video, che a loro volta possono incidere sull'orientamento del velivolo e l'accuratezza della posizione. In aree con troppe interferenze è possibile incorrere in comportamenti anomali del velivolo o perdita di controllo sullo stesso.

Utilizzare il velivolo in modo responsabile

⚠ AVVERTENZA

Per evitare gravi lesioni e danni materiali, osservare le seguenti regole:

1. Accertarsi di NON essere sotto l'effetto di alcol, droghe o anestesia e di non soffrire di vertigini, affaticamento, nausea o altri disturbi fisici o mentali che potrebbero compromettere la capacità di azionare il velivolo in modo sicuro.
2. Per spegnere il motore quando il velivolo è in volo, tirare la levetta sinistra verso il basso all'interno di angoli e premere contemporaneamente il pulsante RTH. La funzione di atterraggio del velivolo non verrà attivata. NON eseguire la suddetta combinazione di comandi se non in situazione di emergenza. Questa funzione viene disattivata per impostazione predefinita. Attraverso l'app DJI GO 4 è possibile disattivare la funzione di tale combinazione di comandi.
3. Dopo l'atterraggio, spegnere prima il velivolo, quindi il dispositivo di controllo remoto.
4. NON far cadere, scagliare, sparare o lanciare in altra maniera alcun carico su o in corrispondenza di edifici, persone o animali, in quanto ciò potrebbe causare lesioni personali o danni materiali.
5. NON utilizzare il velivolo se questo si è schiantato, è stato urtato accidentalmente o se non è in buone condizioni.

AVVISO

1. Accertarsi di essere sufficientemente preparati e pienamente consapevoli dei piani di emergenza prima di eventuali incidenti.
2. Accertarsi di avere un piano di volo e non pilotare il velivolo in modo incauto.
3. Rispettare la riservatezza altrui quando si utilizza la telecamera. Conformarsi alle direttive locali, ai regolamenti e alle norme morali in materia di riservatezza.
4. NON utilizzare questo prodotto per motivi diversi dall'uso personale legittimo. NON utilizzare il prodotto per scopi illeciti o inappropriati (ad esempio spionaggio, operazioni militari o indagini non autorizzate).
5. NON utilizzare questo prodotto per diffamare, abusare, molestare, perseguitare, minacciare o violare in altra maniera i diritti legali di terzi (come il diritto alla riservatezza e alla pubblicità).
6. NON violare la proprietà privata di terzi.

Modalità di volo, funzioni e avvertimenti

Modalità di volo

⚠ AVVERTENZA

Per evitare gravi lesioni e danni materiali, osservare la seguente regola: NON passare dalla modalità P alla modalità A o S se non si ha sufficiente familiarità con il comportamento del velivolo in ogni modalità di volo, in quanto la disattivazione del GPS può comportare l'incapacità di far atterrare il velivolo in condizioni di sicurezza.

AVVISO

Le modalità P e S sono da preferirsi nella maggior parte delle situazioni di volo. L'utente può passare alla modalità A se le modalità P o S non sono disponibili. È necessario prestare ESTREMA attenzione quando si vola in modalità A, in quanto alcune funzionalità non sono disponibili. Durante il volo in ambienti chiusi, il velivolo non è in grado di raggiungere la massima precisione di permanenza in sospensione sopra superfici prive di un chiaro disegno. Fare riferimento alla sezione "Sistema di visione e sistema di rilevamento a infrarossi" per l'elenco completo dei criteri di volo in ambienti chiusi.

1. **Modalità P (Positioning):** la modalità P funziona meglio quando il segnale GPS è forte. Il velivolo utilizza il GPS e il sistema di visione per stabilizzarsi automaticamente, evitare gli ostacoli o seguire i movimenti di un determinato oggetto. In questa modalità sono disponibili funzioni avanzate quali TapFly e ActiveTrack.
2. **Modalità S (Sport):** la modalità S è identica alla modalità P in termini di impostazioni del sistema di controllo di volo, ad eccezione del fatto che i valori di guadagno del velivolo sono regolati in modo tale da migliorare la manovrabilità dello stesso. In questa modalità, la velocità massima di volo del velivolo è superiore.
3. **Modalità A (Attitude):** quando né il GPS né il sistema visivo sono disponibili, il velivolo controlla l'altitudine utilizzando esclusivamente il barometro per il posizionamento.

Se si intende passare a modalità che disabilitano l'assistenza GPS (come la modalità A), è necessario accettare il disclaimer visualizzato per poter attivare tale funzione. Così facendo, l'utente dichiara inoltre di comprendere e accettare che i dati, ivi compresi ma non limitatamente alle informazioni relative alla telemetria di volo e ai registri di funzione, possono essere caricati e archiviati su un server designato da DJI.

Failsafe e ritorno alla posizione iniziale

AVVISO

1. NON è possibile utilizzare la funzione di ritorno alla posizione iniziale se il segnale GPS non è sufficientemente potente (meno di tre barre per il segnale GPS) o se il GPS non è attivo.
2. Invece di spegnere il dispositivo di controllo remoto, premere il pulsante RTH (ritorno alla posizione iniziale) sul dispositivo stesso per avviare il processo di ritorno alla posizione iniziale.
3. Gli edifici alti possono compromettere l'efficacia della funzione Failsafe. Si prega di regolare la posizione, l'altitudine e la velocità del velivolo durante il ritorno alla posizione iniziale al fine di evitare eventuali ostacoli. Il velivolo smette di salire e torna immediatamente alla posizione iniziale se si sposta la levetta di sinistra e se il velivolo raggiunge almeno i 20 metri (65 piedi) di altitudine durante la modalità Failsafe.
4. Accertarsi di utilizzare il velivolo entro il raggio di trasmissione del dispositivo di controllo remoto.
5. Utilizzare le funzioni di ritorno alla posizione iniziale e Failsafe esclusivamente in situazioni di emergenza. Tali funzioni possono essere influenzate dal tempo, dall'ambiente o dai campi magnetici nelle vicinanze.

- Il velivolo non è in grado di evitare gli ostacoli con la funzione Failsafe RTH attiva e se le condizioni di luce non sono ideali. Pertanto, è importante impostare prima di ogni volo un'altitudine Failsafe idonea.
- Se la durata della batteria lo consente, il velivolo può tornare alla sua ultima posizione in cui aveva stabilito il collegamento con il dispositivo di controllo remoto quando la funzione Failsafe RTH era attiva. Di conseguenza, si può notare che il velivolo prima vola via allontanandosi dal pilota per poi ritornare alla posizione iniziale.

Livello basso di carica della batteria

AVVISO

- Quando viene emesso l'avvertimento di Batteria quasi scarica e il velivolo scende per atterrare automaticamente, è possibile spingere la leva di accelerazione verso l'alto per sollevare il velivolo e farlo volare fino a una posizione appropriata per l'atterraggio.
- Quando vengono visualizzati gli avvertimenti relativi alla batteria, riportare tempestivamente il velivolo al punto iniziale o farlo atterrare per evitare la perdita di potenza durante il volo e scongiurare il rischio di danni al velivolo e a cose, animali o persone.

D-RTK (per M210-RTK)

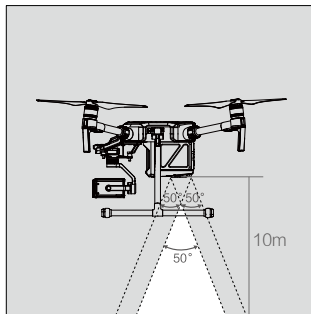
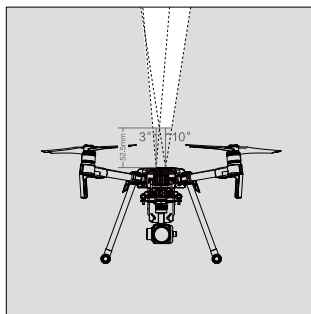
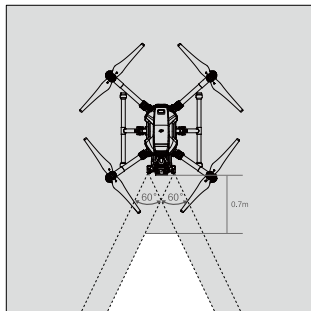
AVVISO

- Utilizzare solo componenti originali DJI o certificati da DJI. I componenti non autorizzati o i pezzi provenienti da costruttori sprovvisti di certificazione DJI possono causare il malfunzionamento del sistema e comprometterne la sicurezza.
- Utilizzare il sistema esclusivamente all'aperto, in un ambiente privo di interferenze radio. Le antenne devono essere mantenute alla stessa altezza e NON ostacolarsi reciprocamente durante l'uso.
- NON flettere o piegare eccessivamente il cavo dell'antenna.
- Assicurarsi che D-RTK™ e i relativi componenti siano privi di qualsiasi contaminazione (ad es. acqua, olio, terra e sabbia).

Sistema visivo e sistema di rilevamento a infrarossi

AVVISO

- Il sistema di visione può non funzionare correttamente su superfici che NON presentano variazioni di disegno chiare. Il sistema di visione è efficace solo quando il velivolo si trova ad altezze comprese tra 0,3 e 10 metri.
- Il sistema di visione potrebbe NON funzionare correttamente quando il velivolo vola sull'acqua.
- Mantenere gli animali domestici a distanza di sicurezza dal velivolo quando il sistema di visione è attivo, in quanto i sensori sonar emettono suoni ad alta frequenza udibili solo da alcuni animali.
- Azionare il velivolo con cautela nelle seguenti situazioni:
 - Volo su superfici monocromatiche (ad esempio nero puro, bianco puro, rosso puro, verde puro);
 - Volo su superfici fortemente riflettenti.
 - Volo ad alta velocità (oltre 14 m/s a 2 metri od oltre 5 m/s a 1 metro).
 - Volo sull'acqua o superfici trasparenti.
 - Volo su superfici o oggetti in movimento.
 - Volo in una zona dove l'illuminazione varia frequentemente o drasticamente;
 - Volo su superfici molto scure (< 15 lux) o molto illuminate (> 10.000 lux).
 - Volo su superfici in grado di assorbire le onde sonore (ad esempio, tappeti spessi).
 - Volo su superfici senza un disegno o una struttura chiara.
 - Volo su superfici con modelli o consistenza che si ripetono in modo identico (ad esempio piastrelle con lo stesso disegno).
 - Volo su superfici inclinate che allontanano le onde sonore dal velivolo.
 - Ostacoli di piccole dimensioni (con minore energia di riflessione a infrarossi).
- In caso di perdita del segnale del dispositivo di controllo remoto e se il segnale GPS è debole, se il velivolo non è in grado di rilevare la posizione iniziale, esso rimarrà sospeso per 8 secondi e quindi atterrerà automaticamente se si trova in modalità "P".
- In caso di caduta del velivolo, è necessario procedere alla taratura del sistema visivo. Tarare il sistema di visione se l'app DJI GO 4 lo richiede.
- Considerare i punti ciechi (grigi) del sistema di visione e del sistema di rilevamento a infrarossi.



Il sistema di visione verso il basso viene utilizzato esclusivamente per il posizionamento.

- Non utilizzare altri dispositivi a ultrasuoni con frequenza pari a 40 kHz o maggiore/minore se il sistema di visione è in funzione. Mantenere i sensori sempre puliti. NON toccare i sensori.
- Il sistema visivo e il sistema di rilevamento a infrarossi non sono in grado di frenare e fermare il velivolo a una distanza di sicurezza da un ostacolo se il velivolo supera la velocità di 14 m/s (31,3 mph).

TapFly

ATTENZIONE

- Per evitare gravi lesioni o danni materiali, attenersi alle seguenti direttive:
- NON pilotare il velivolo verso persone, animali, oggetti sottili o di piccole dimensioni (ad esempio rami di alberi e linee elettriche) o corpi trasparenti (ad esempio vetro e acqua).

2. Prestare attenzione a potenziali ostacoli nelle immediate vicinanze del velivolo (specialmente sul retro, a sinistra e a destra) e mantenere la distanza per evitare incidenti.
3. In caso di emergenza, prepararsi ad assumere il controllo del velivolo agendo sulle leve del dispositivo di controllo remoto oppure premere il tasto STOP sul dispositivo di controllo remoto o sullo schermo per uscire dalla modalità TapFly.

AVVISO

1. Possono verificarsi deviazioni tra il percorso previsto dalla selezione TapFly e quello effettivo.
2. L'intervallo selezionabile sullo schermo è limitato. Non è possibile effettuare selezioni TapFly in prossimità del bordo superiore e inferiore dello schermo.
3. La modalità TapFly potrebbe NON funzionare correttamente quando il velivolo è in volo sull'acqua o su superfici innevate.
4. Prestare estrema attenzione durante il volo in ambienti molto scuri (< 300 lux) o molto illuminati (> 10.000 lux).

ActiveTrack

Per evitare gravi lesioni o danni materiali, attenersi alle seguenti direttive:

1. Accertarsi che sul percorso desiderato non siano presenti persone, animali, oggetti sottili o di piccole dimensioni (ad esempio rami di alberi e linee elettriche) o corpi trasparenti (ad esempio vetro e acqua).
2. Prestare attenzione a potenziali ostacoli nelle immediate vicinanze del velivolo (specialmente sul retro, a sinistra e a destra) e mantenere la distanza per evitare incidenti.
3. In caso di emergenza, prepararsi ad assumere il controllo del velivolo agendo sulle leve del dispositivo di controllo remoto oppure premere il tasto STOP sul dispositivo di controllo remoto o sullo schermo per uscire dalla modalità ActiveTrack.

AVVISO

1. Utilizzare ActiveTrack con estrema cautela nelle seguenti situazioni:
 - a. Il soggetto tracciato non si muove in piano;
 - b. Il soggetto tracciato cambia drasticamente forma mentre si muove;
 - c. Il soggetto tracciato potrebbe risultare coperto o invisibile per un periodo di tempo prolungato;
 - d. Il soggetto tracciato si trova in una zona coperta di neve;
 - e. L'illuminazione è molto scarsa (< 300 lux) o molto intensa (> 10.000 lux); e
 - f. Il soggetto tracciato presenta un colore o un disegno simile all'ambiente circostante.
2. Quando si utilizza l'ActiveTrack, occorre conformarsi alle normative e ai regolamenti locali in materia di riservatezza.

Conformità alle normative e zone interdette al volo

Normative

AVVERTENZA

Per evitare gravi lesioni e danni materiali, osservare le seguenti regole:

1. NON utilizzare il velivolo in prossimità di aeromobili con equipaggio, indipendentemente dall'altitudine. (Se necessario, atterrare immediatamente)
2. NON utilizzare il velivolo in aree densamente popolate, comprese città e luoghi in cui si tengono eventi sportivi, mostre, spettacoli, ecc.
3. NON utilizzare il velivolo al di sopra dell'altitudine autorizzata. Mantenere le dovute distanze da eventuali velivoli con equipaggio e NON interferire con le manovre degli stessi. Tenere sempre presenti ed evitare altri velivoli ed eventuali ostacoli.

ATTENZIONE

Per evitare gravi lesioni e danni materiali, osservare le seguenti regole:

1. NON utilizzare il velivolo in prossimità o all'interno di zone interdette al volo specificate dalle normative e dalle leggi locali. L'elenco delle zone interdette al volo è in costante aggiornamento e include: aeroporti, confini tra paesi o regioni sovrane, grandi città/regioni, ecc.
2. NON utilizzare il velivolo al di sopra dell'altitudine autorizzata.
3. Mantenere SEMPRE il velivolo all'interno del proprio campo visivo ("visual line of sight", VLOS) avventandosi, se necessario, dell'assistenza di un osservatore.
4. NON utilizzare MAI il velivolo per trasportare merci/carichi illegali o pericolosi.

AVVISO

1. Accertarsi di aver compreso la natura/il tipo dell'operazione di volo (ad esempio scopi ricreativi, pubblici o commerciali) e di aver ottenuto le

licenze e autorizzazioni necessarie dagli enti governativi competenti prima del volo. Consultare gli organismi locali di regolamentazione per le definizioni complete e i requisiti specifici. Gli utenti che utilizzano il proprio velivolo negli Stati Uniti sono pregati di visitare <http://www.knowbeforeyoufly.org/> e prendere misure appropriate in base alla propria situazione.

2. In alcuni paesi e regioni, ai velivoli controllati a distanza può essere precluso lo svolgimento di attività commerciali. Informarsi sulle normative e le ordinanze locali applicabili prima del volo, e attenersi ad esse, poiché potrebbero differire da quelle riportate nella presente documentazione.
3. NON utilizzare il velivolo nelle vicinanze di infrastrutture o proprietà sensibili quali centrali elettriche, impianti di trattamento delle acque, istituti penitenziari, strade particolarmente trafficate, strutture governative, zone militari, ecc.
4. Rispettare la riservatezza altrui quando si utilizza la telecamera. NON svolgere operazioni di sorveglianza quali la ripresa di immagini o video aventi per oggetto persone, entità, eventi, esibizioni, esposizioni e altre proprietà, se privi delle necessarie autorizzazioni o nei casi in cui sussista una ragionevole aspettativa di riservatezza, anche se dette immagini o riprese video sono per uso personale.
5. Si prega di notare che in alcune zone, la ripresa di immagini e video di eventi, esibizioni, esposizioni o proprietà commerciali per mezzo di una telecamera può costituire una violazione del copyright o di altri diritti legali, anche se dette immagini o riprese video sono per uso personale.

Zone interdette al volo

AVVISO

Nel sottolineare l'importanza della sicurezza in volo, DJI ha sviluppato diversi strumenti per agevolare il rispetto delle norme e dei regolamenti locali da parte degli utenti durante il volo. Si consiglia di aggiornare il firmware alla versione più recente per garantire che le seguenti funzioni siano completamente aggiornate:

Zone interdette al volo

1. Le zone interdette al volo includono ma non si limitano ai principali aeroporti di tutto il mondo, ai confini tra i due paesi o regioni sovrane, alle grandi città/regioni, ecc.
2. Le informazioni relative alle zone interdette al volo sono disponibili sul sito ufficiale DJI all'indirizzo <http://www.dji.com/flysafe/no-fly> e sono soggette ad aggiornamenti periodici senza preavviso, in linea con i più recenti requisiti normativi.
3. Alcune zone interdette al volo comprendono a loro volta diverse aree. Ciascuna zona è suddivisa in cerchi di varie dimensioni. Il velivolo NON può decollare nell'area più interna della zona interdetta al volo e dovrà scendere all'altitudine specificata mano a mano che si avvicina al limite dell'area più interna. La funzionalità della stazione di terra è disabilitata quando il velivolo si trova all'interno di una zona interdetta al volo.
4. Gli utenti NON possono impostare alcun waypoint all'interno di una zona interdetta al volo.

Limite di altitudine

1. Volare ad altitudini NON superiori a 120 metri (400 piedi) sul livello del suolo e tenersi a distanza da eventuali ostacoli circostanti. L'altitudine di volo massima prescritta potrebbe essere inferiore secondo le leggi e le normative locali. Osservare rigorosamente a tutte le leggi applicabili.
2. Qualora si intenda volare al di sopra del limite di altitudine predefinito, è necessario accettare le limitazioni di responsabilità visualizzate per abilitare il nuovo limite di altitudine. Così facendo, l'utente dichiara inoltre di comprendere e accettare che i dati, ivi comprese ma non limitatamente alle informazioni relative alla telemetria di volo e alle modifiche del limite di altitudine, possano essere caricati e archiviati su un server designato da DJI.

Il presente contenuto è soggetto a modifiche.

Scaricare l'ultima versione da
www.dji.com/matrice-200-series

MATRICE è un marchio registrato di DJI.
Copyright © 2017 DJI. Tutti i diritti riservati.

Veiligheid in één oogopslag

1. Overwegingen m.b.t. de omgeving

- Vlieg altijd op locaties die vrij zijn van gebouwen en andere obstakels.
- Vlieg NIET boven of nabij grote menigten.
- Voorkom vliegen op hoogten boven 120 meter (400 ft)*.
- Vlieg bij matige weersomstandigheden met temperaturen tussen -20° tot 45° C (-4° tot 113° F).
- Wees extra voorzichtig bij binnen vliegen omdat de stabilisatiefuncties van de drone kunnen worden verstoord.
- Vlieg NIET bij windsnelheden hoger dan 10 m/s of 22 mph.



2. Controlelijst ter voorbereiding van de vlucht

- Controleer of de afstandsbediening en luchtvaartuigaccu's volledig zijn opgeladen.
- Controleer voor elke vlucht of de propellers in goede staat zijn en goed vastzitten.
- Zorg dat niets de motoren blokkeert.
- Controleer of de lens van de camera schoon is en vrij van vlekken.
- Kalibreer het kompas alleen wanneer dit in de DJI GO 4™-app wordt gevraagd of wanneer de statusindicator dit aangeeft.
- Het wijzigen of aanpassen van de drone kan de stabiliteit beïnvloeden. Volg de officiële instructie van DJI voor het bevestigen van compatibele externe uitrusting strikt op en zorg ervoor dat het totaalgewicht van de drone na bevestiging van de uitrusting niet hoger is dan 6,14 kg. Zorg dat de externe uitrusting in de juiste positie is gemonteerd zoals in de officiële instructie staat vermeld, om een verplaatsing van het zwaartepunt van de drone te vermijden.

3. Werking

- Blijf uit de buurt van de roterende propellers en motoren.
- Zorg dat je de drone altijd kunt zien.
- De functie waarbij de motor tijdens de vlucht met een druk op de RTH-knop (terug-naar-basis) wordt uitgeschakeld, terwijl je de linker joystick naar de linker binnenhoek drukt en 3 seconden vasthoudt, is standaard geblokkeerd. De gebruiker dient de DJI GO 4-app te openen om deze functie in te schakelen. Activeer deze functie alleen in een noodsituatie.
- Beantwoord GEEN telefoontjes, sms-berichten of andere functies van mobiele apparaten die je kunnen afleiden van het besturen van de drone. Vlieg NIET onder invloed van alcohol of drugs.
- Vlieg NIET dicht vlak boven reflecterende oppervlakken zoals water of sneeuw, omdat deze oppervlakken de werking van het Vision System kunnen beïnvloeden.
- Laat de drone onmiddellijk op een veilige plaats landen, wanneer de waarschuwing Low Battery (accu leeg) wordt afgegeven.
- Tijdens de Return-to-Home-procedure (terug-naar-basisprocedure) kun je de hoogte aanpassen om obstakels te vermijden.
- Schakel na de landing eerst de motor uit, dan de Intelligent Flight Battery en daarna de afstandsbediening.
- Zorg ervoor dat je bij het gebruik van de TapFly™- of ActiveTrack™-functie altijd klaar staat om de bediening van de drone via de joysticks over te nemen. Vergeet niet dat de TapFly- of ActiveTrack-functie van de drone actief blijft nadat je de joysticks hebt bediend. Druk op de STOP-knop op de afstandsbediening of het scherm om de geavanceerde functies te verlaten.
- Vanwege de geavanceerde technologie moet de piloot tijdens het vliegen verstandig te werk gaan. Veiligheids- en vluchthulpfuncties zoals obstakels vermijden, precieze landing en landingsbescherming zijn bedoeld als ondersteuning bij de bediening, niet als vervanging van de bediening. Omgevingsfactoren zoals verlichting en het oppervlak van het obstakel kunnen van invloed zijn op de prestaties van het Vision System.
- Stel de hoogte van Return-To-Home (Terug-naar-Basis) in de DJI Go4-app hoger in dan de obstakels in de omgeving.
- Landingsbeveiliging (detecteert op een hoogte van 2 meter boven de grond of de ondergrond geschikt is om op te landen), wordt gebruikt om de handeling te optimaliseren. Wees altijd alert wanneer je de drone bestuurt, aangezien het zichtstelsel in bepaalde situaties niet werkt (bijv. bij te weinig licht of bij objecten met onduidelijke oppervlaktepatronen) en de detectie van het bodemoppervlak kan uitvallen.

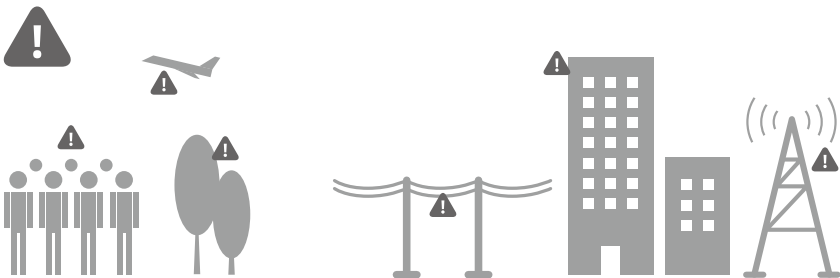
4. Onderhoud

- Gebruik GEEN oude, beschadigde of gebroken propellers.
- Aanbevolen opslagtemperatuur: Tussen 22° en 30 °C (71° en 86 °F).
- Raadpleeg de veiligheidsrichtlijnen voor de Intelligent Flight Battery voor meer informatie over het veilig gebruik van de accu.

5. Houd rekening met de plaatselijke wet- en regelgeving

- Vlieg NIET in No Fly Zones (gebieden met een vliegverbod). Je vindt een volledige lijst van deze gebieden op <http://www.flysafe.dji.com>. Informeer bij lokale luchtvaartautoriteiten naar volledige lijsten en regels omtrent no-fly-zones.
- De vlieghoogtebeperking varieert in verschillende landen. Vlieg NIET boven de maximale hoogtes die in de lokale wet- en regelgeving zijn bepaald.
- Vermijd vliegen in gebieden waar de hulpdiensten actief gebruikmaken van het luchtruim.

*De vlieghoogtebeperking varieert in verschillende landen. Vlieg NIET boven de maximale hoogtes die in de lokale wet- en regelgeving zijn bepaald.

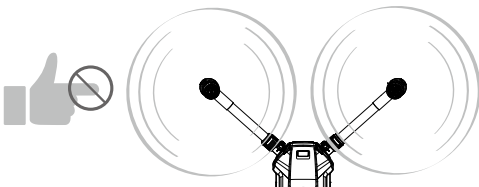


Vlieg niet boven of in de buurt van grote menigten, bomen en vliegvelden.

Sterke elektromagnetische bronnen zoals elektriciteitsleidingen, basisstations en hoge gebouwen kunnen de werking van het boordkompas beïnvloeden. Het is raadzaam de Matrice 210-RTK te gebruiken. Let altijd op de omgeving terwijl u de drone bestuurt.



Gebruik de drone NIET bij ongunstige weersomstandigheden zoals regen, sneeuw, mist en bij windsnelheden van meer dan 10 m/s of 22 mph.



Blijf uit de buurt van de roterende propellers en motoren.



No-fly zones (gebieden met een vliegverbod)

Meer informatie vind je op:
<http://fllysafe.dji.com/no-fly>

OPMERKING

Alle instructies en andere bijbehorende documenten zijn onderhevig aan veranderingen naar goeddunken van SZ DJI TM TECHNOLOGY CO., LTD ("DJI"). Ga voor up-to-date productinformatie naar <http://www.dji.com> en lees de productpagina.

Woordenlijst

De volgende termen worden gebruikt in dit document om de verschillende niveaus van mogelijke schade aan te geven tijdens het gebruik van dit product:

OPMERKING OPMERKING: Procedures kunnen, indien niet correct gevolgd, fysieke schade aan eigendommen veroorzaken, maar er is weinig of geen kans op letsel.

LET OP LET OP: Procedures kunnen, indien niet correct gevolgd, fysieke schade aan eigendommen veroorzaken EN er is kans op ernstig letsel.

WAARSCHUWING WAARSCHUWING: Procedures kunnen, indien niet correct gevolgd, fysieke schade aan eigendommen, bijkomende schade en ernstig letsel veroorzaken OF een hoge kans op ernstig letsel veroorzaken.



WAARSCHUWING

Lees de GEHELE handleiding zorgvuldig door om jezelf vertrouwd te maken met de bijzonderheden van dit product alvorens het te gebruiken. Het niet besturen van het product conform de gebruikershandleiding kan leiden tot schade aan het product of persoonlijke eigendommen en kan ernstig letsel veroorzaken.

Dit is een geavanceerd product. De apparatuur moet voorzichtig worden bediend met gezond verstand en vereist enige elementaire mechanische kennis. Het niet gebruiken van dit product op een veilige en verantwoorde manier kan leiden tot letsel of schade aan het product of andere zaken. Dit product is niet bedoeld voor gebruik door kinderen. Gebruik dit product NIET in combinatie met incompatibele onderdelen en wijzig het niet op enige wijze die niet wordt beschreven in de documenten die zijn verschaft door SZ DJI TECHNOLOGY CO., LTD. Deze veiligheidsvoorschriften bevatten instructies voor veiligheid, bediening en onderhoud. Het is van belang dat je alle instructies en waarschuwingen in de gebruiksaanwijzing leest en opvolgt vóór montage, installatie of gebruik om dit product op de juiste manier te bedienen en schade of ernstig letsel te voorkomen.

LEEFTIJDSAANBEVELING: NIET GESCHIKT VOOR KINDEREN ONDER DE 18 JAAR. DIT IS GEEN SPEELGOED.

Controlelijst ter voorbereiding van de vlucht

1. Zorg ervoor dat je uitsluitend originele onderdelen gebruikt en dat alle onderdelen in perfecte staat zijn.
2. Zorg ervoor dat de afstandsbediening, intelligente vluchtaccu en het mobiele toestel volledig zijn opgeladen.
3. Zorg ervoor dat er geen vreemde objecten vastzitten op de cameralenzen, de Micro SD-kaart in de drone is geplaatst en de gimbal vrij kan draaien voordat het product wordt ingeschakeld.
4. Zorg ervoor dat de propellers en de montageplaatsjes stevig zijn gemonteerd op de motoren en dat de motoren normaal kunnen starten en functioneren.
5. Volg de instructies op het scherm om het kompas te kalibreren.
6. Zorg ervoor dat de DJI GO 4-app en de firmware van de drone zijn bijgewerkt naar de nieuwste versie.
7. Zorg ervoor dat het vluchtgebied buiten de No Fly Zones valt en dat de vluchtcondities geschikt zijn voor het besturen van de drone.
8. Zorg ervoor dat je NIET vliegt onder invloed van alcohol, drugs of andere stoffen die schadelijk kunnen zijn voor uw cognitieve capaciteiten.
9. Zorg ervoor dat je vertrouwd bent met de geselecteerde vliegmodus en dat je alle veiligheidsfuncties en waarschuwingen begrijpt.
10. Zorg ervoor dat je alle lokale regelgeving in acht neemt, de juiste vergunningen verkrijgt en de risico's begrijpt. ONTHOUD: Het is uitsluitend je eigen verantwoordelijkheid om aan alle toepasselijke voorschriften te voldoen.
11. ZORG DAT JE DE DRONE ALTIJD KUNT ZIEN. Vertrouw NIET alleen op de First Person View-camera voor het bedienen van het toestel.
12. Zorg ervoor dat de DJI GO 4-app goed is gestart, om je te helpen

de drone te besturen. Als de vluchtgegevens niet in de DJI GO-app worden geregistreerd, kan DJI™ in bepaalde situaties (waaronder het verlies van je drone) mogelijk geen ondersteuning verlenen of aansprakelijkheid aanvaarden.

Disclaimer en waarschuwing

Dit product is GEEN speelgoed en is niet geschikt voor kinderen onder de 18 jaar. Volwassenen moeten de drone buiten bereik van kinderen houden en voorzichtigheid betrachten bij het besturen van deze drones in de aanwezigheid van kinderen.

Het product maakt gebruik van geavanceerde technologie, en onjuist gebruik van het product kan leiden tot persoonlijk letsel of materiële schade. Lees de bijbehorende documentatie door vóór het eerste gebruik van het product. Deze documenten zijn opgenomen in het productpakket en zijn ook online beschikbaar op de DJI-productpagina op <http://www.dji.com>.

De informatie in dit document betreft je veiligheid en je wettelijke rechten en plichten. Lees dit hele document zorgvuldig door om ervoor te zorgen dat je de juiste configuratie toepast vóór het gebruik. Het niet lezen en opvolgen van de instructies en waarschuwingen in dit document kan leiden tot verlies van het product, ernstig letsel voor jou of schade aan je drone.

Door dit product te gebruiken, geef je aan dat je deze disclaimer zorgvuldig hebt gelezen en dat je begrijpt en ermee akkoord gaat je te houden aan de hierin gestelde voorwaarden en bepalingen. BEHALVE ZOAALS UITDRUKKELIJK BEPAALD IN HET DJI AFTER-SALES-BEELD, BESCHIKBAAR OP ([HTTP://WWW.DJI.COM/SERVICE/POLICY](http://WWW.DJI.COM/SERVICE/POLICY)), WORDEN HET PRODUCT EN ALLE MATERIELEN EN CONTENT DIE VIA HET PRODUCT BESCHIKBAAR IS, GELEVERD 'AS IS' EN 'AS AVAILABLE', ZONDER ENIGE VORM VAN GARANTIE, EXPLICIET OF IMPLICIET. DJI WIJST ALLE GARANTIES VAN WELKE AARD DAN OOK AF, TENZIJ UITDRUKKELIJK VASTGELEGD IN HET DJI AFTER-SALES-BEELD, EXPLICIET OF IMPLICIET, MET BETREKKING TOT HET PRODUCT, PRODUCTACCESSOIRES EN ALLE MATERIELEN, INCLUSIEF: (A) ELKE IMPLICIETE GARANTIE VAN VERKOOPBAARHEID, GESCHIKTHEID VOOR EEN BEPAALD DOEL, EIGENDOM, RUSTIG GENOT OF NIET-INBREUKMAKENDHEID; EN (B) GARANTIES VOORTVLOEIEND UIT TRANSACTIES, GEBRUIK OF HANDEL. DJI GARANDEERT NIET, BEHALVE ZOAALS UITDRUKKELIJK BEPAALD IN DE DJI BEPERKTE GARANTIE, DAT HET PRODUCT, DE PRODUCTACCESSOIRES OF ENIG ONDERDEEL VAN HET PRODUCT, OF ALLE MATERIELEN, ONONDERBROKEN EN VEILIG WERKEN, VRIJ ZIJN VAN FOUTEN, VIRUSSEN OF ANDERE SCHADELIJKE COMPONENTEN EN GARANDEERT NIET DAT EEN VAN DEZE PROBLEMEN ZAL WORDEN GEORRIGEREERD.

GEEN ENKEL ADVIES OF INFORMATIE, MONDELING OF SCHRIFTELIJK, DIE JE HEBT ONTVANGEN VOOR HET PRODUCT, PRODUCTACCESSOIRES OF ENIG MATERIAAL WORDT OPGEVAT ALS EEN GARANTIE BETREFFENDE DJI OF HET PRODUCT ALS DAT NIET UITDRUKKELIJK IS VERMELD IN DEZE VOORWAARDEN. JE AANVAART ALLE RISICO VOOR SCHADE DIE KAN VOORTVLOEIEN UIT HET GEBRUIK VAN OF TOEGANG TOT HET PRODUCT, PRODUCTACCESSOIRES EN MATERIELEN. JE BEGRIJPT EN STEMTE ERMEE IN DAT JE HET PRODUCT NAAR EIGEN GOEDDUNKEN EN VOOR EIGEN RISICO GEBRUIKT EN DAT JE ZELF VERANTWOORDELIJK BENT VOOR PERSOONLIJK LETSEL, DOOD, SCHADE AAN JE EIGENDOMMEN (WAARONDER JE COMPUTERSYSTEEM OF EEN MOBIEL APPARAAT OF DJI HARDWARE DIE WORDT GEBRUIKT IN VERBAND MET HET PRODUCT) OF EIGENDOMMEN VAN DERDEN, OF HET VERLIES VAN GEGEVENS ALS GEVOLG VAN HET GEBRUIK OF DE ONMOGELIJKHEID TOT GEBRUIK VAN HET PRODUCT.

IN SOMMIGE JURISDICTIES KAN HET VERBODEN ZIJN OM GARANTIES AF TE WIJZEN EN JE KUNT ANDERE RECHTEN HEBBEN DIE PER RECHTSGEBIED VERSCHILLEN.

DJI aanvaardt geen aansprakelijkheid voor schade, letsel of enige wettelijke verantwoordelijkheid die direct of indirect voortvloeit uit het gebruik van dit product. De gebruiker neemt veilig en legaal gebruik in acht, inclusief, maar niet beperkt tot wat in deze veiligheidsvoorschriften uiteen is gezet.

Dataopslag en gebruik

Wanneer je gebruik maakt van onze mobiele app of onze producten of andere software, kunnen gegevens over het gebruik en de werking van het product, zoals vluchtmetriegegevens (bijv. snelheid, hoogte, accuduur en informatie over de gimbal en camera) en werkingsregistratie

aan DJI ter beschikking worden gesteld. De interne opslagapparatuur die is ingebouwd in het product bewaart verschillende soorten gegevens, inclusief vluchtleimetriegergegevens. Je kunt ook vluchtleimetriegergegevens en andere gegevens aan ons verstrekken wanneer je handmatig gegevens vanaf de interne opslagapparatuur aan ons overdraagt.

Raadpleeg het DJI Privacybeleid (beschikbaar op dji.com/policy) voor meer informatie.

Voordat je begint

Dit product is een drone waarmee eenvoudig kan worden gevlogen, indien deze naar behoren wordt gebruikt, zoals hieronder uiteen is gezet. Surf naar <http://www.dji.com> voor de meest actuele aanwijzingen en waarschuwingen en naar <http://knowbeforeyoufly.org/> voor meer informatie over de vliegveiligheid en compliance.

De volgende documenten zijn geproduceerd om je te helpen bij een veilige bediening en optimaal gebruik van de drone:

In de doos

Disclaimer en veiligheidsrichtlijnen

Veiligheidsrichtlijnen Intelligent Flight Battery

Snelstartgids

Gebruikershandleiding

Controleer of alle onderdelen aanwezig zijn die staan beschreven in het document In de doos en lees de Disclaimer en Veiligheidsvoorschriften vóór de vlucht. Bereid je vervolgens voor op je eerste vlucht met behulp van de Snelstartgids en door alle filmpjes met uitleg op de officiële website van DJI (<http://www.dji.com>) te bekijken. Als je vragen hebt, raadpleeg dan de Gebruikershandleiding in de app of op de officiële website van DJI voor meer uitgebreide informatie. Zorg ervoor dat je de functionaliteit van elk individueel onderdeel, de vereisten voor de vluchtcondities, de belangrijkste noodwaarschuwingfuncties/-systemen en alle overheidsvoorschriften volledig begrijpt vóór elke vlucht. Mocht je nog vragen of problemen hebben tijdens de montage, het onderhoud of het gebruik van dit product, neem dan contact op met DJI of een door DJI erkende dealer.

Afzonderlijke onderdelen

Over originele en functionele onderdelen

⚠️ WAARSCHUWING

Om storing, ernstig letsel en materiële schade te voorkomen, dien je de volgende regels in acht te nemen:

1. Gebruik uitsluitend originele DJI-onderdelen of onderdelen die zijn gecertificeerd door DJI. Niet-goedgekeurde onderdelen of onderdelen van niet door DJI gecertificeerde fabrikanten kunnen leiden tot storingen in het systeem en veiligheid kan in het gedrang komen.
2. Controleer of er zich geen vreemde voorwerpen (zoals water, olie, aarde, zand, etc.) aan de binnenkant van de drone of de onderdelen bevinden.
3. Zorg ervoor dat de drone en de bijbehorende onderdelen, waaronder, maar niet beperkt tot de afstandsbediening, camera, gimbal, kompas, aandrijfsysteem en accu - allemaal in goede staat verkeren, onbeschadigd zijn en goed werken. Raadpleeg de overige hoofdstukken in dit document voor meer informatie over hoe u kunt zorgen voor de juiste werking van deze onderdelen.
4. Breng GEEN wijzigingen aan of veranderingen aan in het toestel, de componenten en onderdelen. Ongeoorloofde wijzigingen kunnen storingen veroorzaken en de werking en de veiligheid beïnvloeden.

Afstandsbediening

OPMERKING

1. Zorg ervoor dat de afstandsbediening volledig is opgeladen vóór elke vlucht.
2. Als de afstandsbediening is ingeschakeld en gedurende 5 minuten NIET is gebruikt, geeft deze een waarschuwing af. Na 6 minuten wordt deze automatisch uitgeschakeld. Beweeg de joystick of voer een andere actie uit om de waarschuwing te annuleren.
3. Stel de klem van de mobiele apparaathouder in om een stevige grip op uw mobiele apparaat te creëren.
4. Zorg ervoor dat de mobiele apparaathouder stevig op zijn plaats zit en niet wegglijdt.
5. Zorg ervoor dat de antennes van de afstandsbediening zijn uitgeklaapt en ingesteld op de juiste plaats om een optimale kwaliteit van de transmissie te bereiken.
6. Repareer of vervang de afstandsbediening als deze beschadigd is. Een beschadigde antenne van de afstandsbediening zal tot sterk

verslechterde prestaties leiden.

7. Een koppeling is vereist als je de afstandsbediening of ontvanger wilt vervangen, of een nieuwe afstandsbediening wilt toevoegen. Raadpleeg de gebruikershandleiding voor meer informatie.
8. Zet het toestel eerst uit (als het veilig is om dit te doen) en schakel de afstandsbediening uit. Anders kan dat leiden tot het verliezen van de controle over de drone.
9. Laad de accu ten minste éénmaal per drie maanden volledig om ervoor te zorgen dat de accu in een goede staat blijft.

Kompas

LET OP

Om mogelijk ernstig letsel en materiële schade te voorkomen, dienen de volgende regels in acht te worden genomen: Land onmiddellijk wanneer aanzienlijke drift optreedt tijdens de vlucht, d.w.z. de drone vliegt NIET in een rechte lijn.

OPMERKING

Kalibreer het kompas alleen wanneer dit in de DJI GO 4-app wordt gevraagd of wanneer de statusindicator dit aangeeft. Neem de volgende regels in acht bij het kalibreren van het kompas:

1. Kalibreer het kompas NIET wanneer er sprake is van sterke magnetische storingen zoals in de buurt van magnetiet, in parkeergarages of in stalen ondergrondse constructies.
2. Leg ferromagnetische materialen zoals mobiele telefoons WEG tijdens de kalibratie.
3. Als het kompas is beïnvloed door sterke interferentie, verschijnt na voltooiing van de kalibratie een bericht in de DJI GO 4-app om deze kwestie op te lossen. Volg de instructies om het probleem met het kompas op te lossen.

Aandrijfsystemen

⚠️ WAARSCHUWING

Ter voorkoming van ernstig letsel aan jezelf of anderen, dat kan worden veroorzaakt door de roterende propellers en motoren, dien je de volgende regels in acht te nemen:

Propellers

1. Gebruik GEEN oude, beschadigde of gebroken propellers.
2. Schakel de drone altijd uit vóór het aanraken van de propellers.
3. Let goed op de scherpe randen van de propellers bij het monteren of demonteren van de propellers. Draag handschoenen of neem andere beschermende maatregelen bij het aanraken van de propellers.
4. Indien nodig gebruik je gereedschap (bijvoorbeeld steutel, schroevendraaier, tang, enz.) voor het demonteren of monteren van de propellers.
5. Zorg ervoor dat de propellers stevig zijn bevestigd om te voorkomen dat ze van de motoren af vallen.
6. Schakel de motoren NIET in wanneer de propellers zijn gemonteerd en er zich andere personen of dieren in de directe omgeving bevinden.
7. Gebruik van propellers van derde leveranciers kan ten koste gaan van de aerodynamica van de drone. Voor een betere en veiligere vliegervaring raden wij je aan om alleen originele DJI propellers te gebruiken.
8. Dep de propellers vóór elke vlucht droog wanneer de omgevingstemperatuur ca. 0 °C (32 °F) is om te voorkomen dat de propellers vastvriezen.

Motoren

1. Controleer of de motoren stevig zijn bevestigd en soepel draaien.
2. Probeer de structuur van de motoren NIET te wijzigen.
3. Raak de motoren NIET aan en laat uw handen en lichaam niet in contact komen met de motoren na de vlucht daar deze heet kunnen zijn.

LET OP

Om mogelijk ernstig letsel en materiële schade te voorkomen, dien je de volgende regels in acht te nemen:

1. Blokkeer de ventilatiegaten van de motoren NIET.
2. Blokkeer de ventilatiegaten in de frame-arm van de drone NIET.

OPMERKING

Motoren

1. Houd de motoren vrij van stof.
2. Voer als een motor is geblokkeerd en niet vrij kan draaien, het CSC (Combination Stick Command) in om de motoren direct tot stilstand te brengen.

Elektronische snelheidsregelaars (ESC's)

Zorg ervoor dat de ESC's normaal klinken wanneer deze worden ingeschakeld.

DJI GO 4-app

OPMERKING

- Zorg ervoor dat je tablet of mobiele apparaat volledig is opgeladen vóór het openen van de app.
- Voor het gebruik van de DJI GO 4-app zijn mobiele data vereist. Neem contact op met uw provider van draadloos internet voor informatie over datakosten.
- Als je een telefoon gebruikt als mobiel weergaveapparaat, zorg er dan voor dat je veilig verder kunt vliegen als de telefoon een oproep ontvangt. Beantwoord GEEN inkomende oproepen tijdens de vlucht.
- Lees alle gegeven veiligheids tips, waarschuwingsberichten en disclaimers aandachtig. Zorg ervoor dat je vertrouwd bent met de betreffende voorschriften in je land. Je bent zelf verantwoordelijk voor het op de hoogte zijn van alle relevante regelingen en voor het vliegen op een manier die daaraan voldoet.
 - Lees en begrijp de waarschuwingsberichten voordat je de automatische opstijg- en landingsfuncties gebruikt.
 - Lees en begrijp de waarschuwingsberichten voordat je jouw startpunt opnieuw instelt.
 - Lees en begrijp de waarschuwingsberichten en disclaimer voordat je de hoogte boven de voorgescreven limiet instelt.
 - Lees en begrijp de waarschuwingsberichten en disclaimer voordat je tussen vluchtmodi schakelt.
- Land de drone onmiddellijk op een veilige plaats als er een waarschuwing wordt weergegeven in de app.
- Bekijk en controleer alle waarschuwingsberichten op de checklist die worden weergegeven in de app vóór elke vlucht.
- Gebruik de simulator binnen de app voor het oefenen van je vliegvaardigheden als je de drone nog nooit hebt gebruikt of als je NIET over voldoende ervaring beschikt om de drone comfortabel te kunnen bedienen.
- Maak vóór elke vlucht verbinding met internet en sla de kaartgegevens op van het gebied waar je met de drone gaat vliegen.
- De app is bedoeld ter ondersteuning van de bediening. Gebruik je gezonde verstand en vertrouw NIET op de app voor het bedienen van het toestel.
- Het gebruik van de app is onderworpen aan de Gebruiksvoorwaarden voor de DJI GO 4-app en het DJI Privacybeleid. Lees deze aandachtig door in de app.

Firmware

WAARSCHUWING

Ter voorkoming van ernstig letsel bij kinderen en dieren, dien je de volgende regel in acht te nemen:
Houd kinderen en dieren op een veilige afstand tijdens alle firmware-upgrades, systeemkalibratie en parameterinstellingsprocedures.

OPMERKING

- Update de firmware voor de zekerheid altijd naar de nieuwste versie wanneer een upgradebericht wordt weergegeven in de DJI GO 4-app.
- Firmware-upgradeberichten informeren je over nieuwe firmware-upgrades. Je dient de onderstaande informatie te lezen en te begrijpen. Je begrijpt en gaat er verder mee akkoord dat de gegevens, met inbegrip van maar niet beperkt tot vluchtelometriegergegevens en gebruikersselectieregistratie worden geüpload naar en worden onderhouden op een speciale DJI-server.
- Zorg ervoor dat de firmware van de afstandsbediening wordt geüpdatet naar de nieuwste versie, nadat je de firmware van het vliegtuig hebt geüpdatet.
- De afstandsbediening wordt mogelijk losgekoppeld van de drone na het updaten. Koppel de afstandsbediening en de drone opnieuw.
- Controleer alle aansluitingen en verwijder de propellers uit de motoren voordat je de firmware updatet.

Camera (optioneel)

WAARSCHUWING

Om mogelijk ernstig letsel en materiële schade te voorkomen, dienen de volgende regels in acht te worden genomen:

Blokkeer GEEN ventilatieopeningen op de camera. De opgewekte warmte kan letsel veroorzaken en tot schade aan het apparaat leiden.

OPMERKING

- Controleer de camera-instellingen vóór gebruik om ervoor te zorgen dat je deze kunt aanpassen aan uw persoonlijke wensen.
- Test de camera door het schieten van enkele testbeelden en controleer of de camera correct werkt voordat je belangrijke afbeeldingen of video's opneemt.
- Verwijder de microSD-kaart NIET uit de drone als deze is ingeschakeld.
- Foto's of video's kunnen niet worden verzonden of gekopieerd vanuit de drone als de Intelligent Flight Battery is uitgeschakeld.
- Zorg ervoor dat je de Intelligent Flight Battery correct uitschakelt, anders worden je cameraparameters NIET opgeslagen en alle opgenomen video's kunnen worden beschadigd.
- Ongeacht de reden kan DJI niet aansprakelijk worden gesteld voor het niet opnemen van een afbeelding of video of het niet opnemen op een wijze die niet machinaal leesbaar is.

Gimbal (optioneel)

OPMERKING

- Precisie-elementen in de gimbal kunnen beschadigd raken bij een botsing of stoten, waardoor de gimbal abnormaal werkt.
- Oefen GEEN externe kracht uit op de gimbal nadat deze is ingeschakeld.
- Voeg geen lading toe aan de gimbal. Hierdoor kan de gimbal abnormaal werken of dit kan zelfs leiden tot motorschade.
- De gimbal en de gimbalconnector zijn heel kwetsbaar. Behandel ze voorzichtig en raak de gimbalconnector NIET aan, omdat schade ervoor zorgt dat deze abnormaal werkt.
- Houd de gimbal stevig vast wanneer je deze losmaakt of weer vastmaakt, zodat deze niet valt.
- Bevestig of verwijder de gimbal NIET terwijl de drone is ingeschakeld.
- Enkele of dubbele vingervingers moeten afzonderlijk worden gebruikt.
- Als er één gimbal boven op de drone of twee gimbal's onder op drone worden gebruikt, volg de instructie in de gebruikershandleiding dan nauwkeurig op en bevestig de compatibele gimbalcamera's op de juiste manier om de beeldtransmissie niet te laten mislukken.

Zorg voor het product

Opslag en transport

WAARSCHUWING

Ter voorkoming van ernstig letsel bij kinderen en dieren, dien je de volgende regel in acht te nemen:

Kleine onderdelen zoals kabels en banden, zijn gevaarlijk als ze worden ingeslikt. Houd alle onderdelen buiten bereik van kinderen en dieren.

OPMERKING

- Bewaar de Intelligent Flight Battery en afstandsbediening op een koele, droge plaats buiten bereik van direct zonlicht om ervoor te zorgen dat de ingebouwde LiPo-accu NIET oververhit raakt. Aanbevolen opslagtemperatuur: tussen 22° en 30 °C (71° en 86 °F) voor opslagperiodes van meer dan drie maanden. Sla het product nooit op in omgevingen buiten het temperatuurbereik van -20° tot 45 °C (-4° tot 113 °F).
- Zorg ervoor dat de camera NIET in contact komt met water of andere vloeistoffen, of hierin wordt ondergedompeld. Als het nat wordt, dient het met een zachte, absorberende doek te worden afgedroogd. Het inschakelen van een drone die in het water is gevallen kan blijvende schade aan de onderdelen veroorzaken. Gebruik GEEN producten op basis van alcohol, benzen, verdunders of andere brandbare stoffen voor het reinigen en onderhoud van de camera. Sla de camera NIET op in vochtige of stoffige omgevingen.
- Maak de gimbal los van de drone wanneer je deze gedurende langere tijd opbergt, of deze over een grote afstand vervoert.
- Sluit dit apparaat NIET aan op een USB-interface die ouder is dan versie 2.0. Sluit dit product niet aan op een "power USB" of soortgelijke apparaten.

Onderhoud

OPMERKING

- Neem voor productinspecties of reparaties na een crash of hevige botsing contact op met een door DJI aangevoelen servicecentrum. Vliegen met een beschadigde drone is erg gevaarlijk en kan letsel of schade aan eigendommen veroorzaken.
- De accu kan maximaal drie maanden worden opgeslagen als het laadniveau van de accu tussen 40% en 65% blijft. Laad en ontlad de accu ten minste éénmaal per drie maanden volledig om hem gezond te houden.

3. Het is raadzaam om telkens na 50 vlieguren een onderhoudsbeurt in te plannen voor veiligheid tijdens het vliegen en betrouwbaarheid.

Vereisten voor vluchtcondities

Weersomstandigheden en omgeving

WAARSCHUWING

De drone is ontworpen om te functioneren bij goede tot matige weersomstandigheden. Om botsingen, ernstig letsel en materiële schade te voorkomen, dien je de volgende regels in acht te nemen:

1. Gebruik de drone NIET bij extreme weersomstandigheden. Hieronder vallen een windsnelheid van meer dan 10 m/s, sneeuw, regen, smog, sterke wind, hagel, bliksem, tornado's of orkanen.
2. Houd het toestel tijdens de vlucht op ten minste 10 meter (30 ft) afstand van obstakels, mensen, dieren, gebouwen, openbare infrastructuur, bomen en water. Blijf nog verder van bovengenoemde objecten als je hoger vliegt.
3. Wees EXTRA voorzichtig bij het bedienen van de drone in een gebouw. Sommige functies van de drone, met name de stabilisatiefunctie, kunnen worden beïnvloed.
4. Zorg ervoor dat het Vision System wordt ingeschakeld wanneer je in een gebouw vliegt. Let op: het Vision System werkt mogelijk NIET correct wanneer de drone over water of oppervlakken zonder duidelijk patroon vliegt, of in een omgeving met weinig licht vliegt.

OPMERKING

1. De prestaties van de drone en de accu zijn afhankelijk van omgevingsfactoren zoals de luchtdichtheid en temperatuur.
 - a. Gebruik de drone NIET als de temperatuur buiten het bereik van -20 °C tot 45 °C (-4° tot 113° F) ligt.
2. Gebruik de drone NIET in de buurt van ongelukken, brand, explosies, overstromingen, tsunami's, lawines, grondverschuivingen, aardbevingen, stof of zandstromen.

Interferentie communicatie

OPMERKING

1. Controleer of een deel van de drone tekenen van een botsing of crash vertoont. Neem indien nodig contact op met DJI Support of de erkende dealers.
2. Vlieg in open gebieden. Hoge gebouwen of stalen constructies kunnen de nauwkeurigheid van het on-board-kompas beïnvloeden en het GPS-signaal blokkeren.
3. Voorkom interferentie tussen de afstandsbediening en andere draadloze apparatuur. Zorg ervoor dat je wifi of je mobiele apparaat uitschakelt.
4. Wees zeer alert bij het vliegen in een omgeving met magnetische of radio-interferentie. In een dergelijke omgeving wordt het gebruik van de M210-RTK aanbevolen. Deze omvatten, maar zijn NIET beperkt tot: hoogspanningsleidingen, grootschalige stroomtransmissiestations of mobiele basistations en zendmasten. Als je dit niet doet, kan dit ten koste gaan van de transmissiekwaliteit van dit product of kan dit externe besturings- en videotransmissiefouten veroorzaken die van invloed kunnen zijn op de vluchtrichting en nauwkeurigheid van de plaatsbepaling. De drone kan zich vreemd gedragen of onbestuurbaar worden in gebieden met te veel interferentie.

De drone verantwoord besturen

WAARSCHUWING

Om ernstig letsel en materiële schade te voorkomen, dien je de volgende regels in acht te nemen:

1. Zorg ervoor dat je NIET dronken, onder invloed van drugs of verdoving bent, of lidt aan duizeligheid, vermoedelijk, misselijkheid of andere aandoeningen, hetzij lichamelijk of geestelijk, die nadelige gevolgen kunnen hebben voor je geschiktheid om de drone veilig te besturen.
2. Als je de linkerstick naar de onderste binnenhoek trekt terwijl je tegelijkertijd op de RTH-knop drukt, stopt de motor wanneer het toestel in de lucht is. De landingsfunctie van de drone wordt niet geactiveerd. Voer de hierboven genoemde opdrachtcombinatie ALLEEN uit in een noodsituatie. Deze functie is standaard uitschakeld. Je kunt deze opdrachtcombinatie inschakelen via de DJI GO 4-app.
3. Schakel de drone na het landen eerst uit, en schakel dan de afstandsbediening uit.
4. Zorg ervoor dat je GEEN gevaarlijke ladingen laat vallen, lanceert, afvuurt of op andere wijze richt op of bij gebouwen, personen of dieren, of die kunnen leiden tot persoonlijk letsel of schade aan eigendommen.
5. Gebruik GEEN drone die is gecrasht, een klap heeft opgevangen of zich niet in een goede staat bevindt.

OPMERKING

1. Zorg ervoor dat je voldoende bent geoefend en volledig op de hoogte bent van eventuele rampenplannen voordat er ongelukken gebeuren.
2. Zorg ervoor dat je een vluchtplan hebt en de bestuur de drone nooit roekeloos.
3. Respecteer de privacy van anderen bij het gebruik van de camera. Zorg ervoor dat je voldoet aan de plaatselijke voorschriften en wetten, voorschriften, normen en waarden.
4. Gebruik dit product NIET om een andere reden dan het algemeen persoonlijk gebruik. Gebruik het toestel NIET voor onwettige of ongepaste doeleinden (zoals spionage, militaire operaties of ongeoorloofde onderzoeken).
5. Gebruik dit product NIET voor het te schande maken, misbruiken, aanvalen, stalken, bedreigen of anderszins schenden van de wettelijke rechten (zoals het recht op privacy en publiciteit) van anderen.
6. Betreed het particuliere eigendom van anderen niet wederrechtelijk.

Vluchtmodi, functies en waarschuwingen

Vluchtmodi

WAARSCHUWING

Om ernstig letsel en materiële schade te voorkomen, dien je de volgende regel in acht te nemen:

Schakel NIET vanuit de P-modus naar de A-modus of S-modus, tenzij je voldoende vertrouwd bent met gedrag van de drone in elke vluchtmodus, daar het uitschakelen van het GPS kan resulteren in het niet veilig kunnen landen van de drone.

OPMERKING

De P-modus of S-modus genieten de voorkeur voor de meeste vluchtsenario's. Gebruikers kunnen overschakelen naar de A-modus als P-modus of S-modus niet beschikbaar zijn. Neem bij het vliegen in de A-modus extra voorzorgsmaatregelen omdat sommige functies niet beschikbaar zijn in de A-modus. Tijdens het vliegen in een gebouw, kan de drone niet nauwkeurig boven een plek blijven hangen tijdens het vliegen boven de oppervlakken zonder een duidelijk patroon. Raadpleeg het hoofdstuk "Vision System en Infraroodsensorsysteem" voor complete criteria voor vliegen in een gebouw.

P-modus (positiebepaling): De P-modus werkt het beste wanneer het GPS-signaal sterk is. De drone maakt gebruik van het GPS en Vision System om zichzelf automatisch te stabiliseren, te navigeren tussen obstakels of een bewegend object te traceren. Geavanceerde functies zoals TapFly en ActiveTrack zijn ingeschakeld in deze modus.

S-modus (Sport): S-modus is identiek aan P-modus op het gebied van vluchtcontrollerinstellingen, met dien verstande dat de besturingswaarden van de drone zijn aangepast om de wendbaarheid van de drone te verhogen. De maximum vliegsnelheid van de drone is hoger in deze modus.

A-modus (houding): Wanneer GPS en het zichtstelsel niet beschikbaar zijn, gebruikt de drone alleen de barometer voor positionering om de hoogte te controleren.

Als je van plan bent om over te schakelen naar de modus die GPS-assistentie uitschakelt (bijv. A-modus), wordt er van je gevraagd akkoord te gaan met de weergegeven disclaimer om deze functie te activeren. Als deze functie wordt geactiveerd, begrijp je en ga je er verder mee akkoord dat gegevens, met inbegrip van maar niet beperkt tot vluchttelemetriegegevens en functieregistratie kunnen worden geüpload naar en worden onderhouden op een speciale DJI-server.

Uitvalbeveiliging en Return to Home

OPMERKING

1. De Return to Home-functie zal NIET werken als het GPS-signaal onvoldoende (GPS-signaal minder dan drie streepjes) of als het GPS niet actief is.
2. Druk op de RTH-knop op de afstandsbediening om de RTH-procedure (Terug-naar-Basis) te activeren in plaats van de afstandsbediening uit te schakelen.
3. Hoge gebouwen kunnen een nadelige invloed hebben op de uitvalbeveiligingsfunctie. Pas de plaats, hoogte en snelheid van de drone aan op de terugweg om obstakels te vermijden. De drone stopt met stijgen en keert direct terug naar de thuisbasis als je de linkerjoystick beweegt wanneer de drone tijdens een uitvalbeveiligde RTH een hoogte van minimaal 20 meter (65 ft) bereikt.
4. Zorg ervoor dat de drone binnen het zendbereik van de afstandsbediening blijft.
5. Gebruik de uitvalbeveiligings- en RTH-functie (Terug naar basis) alleen in noodgevallen. Deze functies kunnen worden beïnvloed door

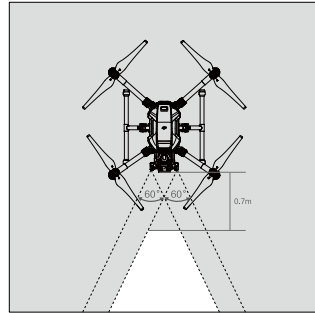
het weer, de omgeving of magnetische velden in de omgeving.

- De drone kan geen obstakels vermijden in de uitvalbeveiligings- en RTH-stand als de belichting niet ideaal is. Het is daarom belangrijk om de juiste hoogte voor uitvalbeveiliging vóór elke vlucht in te stellen.
- Als de gebruiksduur van de accu dat toestaat, kan de drone tijdens de uitvalbeveiligings- en RTH-stand eerst teruggaan naar de vorige positie waar er verbinding was met de afstandsbediening. Als gevolg hiervan vliegt de drone eerst van je weg en keert daarna terug naar het startpunt.

Low Battery (accu leeg)

OPMERKING

- Als de waarschuwing Critical Battery Level wordt geactiveerd en de drone automatisch daalt, kun je de gashendel verder openen om de drone op hoogte te houden en het naar een geschiktere locatie voor de landing te sturen.
- Breng als de accuwaarschuwingen geactiveerd zijn, de drone zo spoedig mogelijk terug naar de basis of land het om te voorkomen dat de stroom uitvalt tijdens de vlucht en schade wordt veroorzaakt aan het vliegtuig, eigendommen, dieren en mensen.



D-RTK (voor M210-RTK)

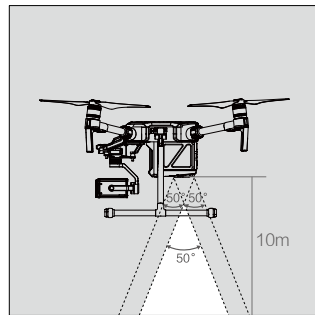
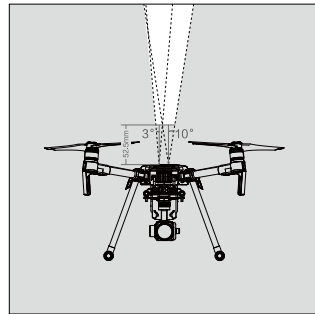
OPMERKING

- Gebruik uitsluitend originele DJI-onderdelen of onderdelen die zijn gecertificeerd door DJI. Niet-goedgekeurde onderdelen of onderdelen van fabrikanten die niet door DJI zijn gecertificeerd, kunnen leiden tot storingen in het systeem en de veiligheid kan in het gedrang komen.
- Gebruiken in een open omgeving zonder radiostoringen. De antennes moeten op dezelfde hoogte blijven en mogen elkaar tijdens gebruik NIET blokkeren.
- Buig of vouw de antennekabel NIET overmatig.
- Zorg ervoor dat de D-RTK™ en de onderdelen zijn vrij van vuil (bijv. water, olie, aarde en zand).

Zichtsysteem en infraroodsensorsysteem

OPMERKING

- Het Vision System kan niet correct werken boven oppervlakken die GEEN duidelijke patroonvariaties hebben. Het Vision System is alleen effectief wanneer de drone op een hoogte van 0,3 tot 10 meter vliegt.
- Het Vision System werkt mogelijk NIET goed als de drone boven water vliegt.
- Houd huisdieren uit de buurt van de drone als het Vision System is geactiveerd, omdat de sonarsensoren geluid met een hoge frequentie afgeven dat alleen hoorbaar is voor sommige huisdieren.
- Bedien de drone voorzichtig wanneer je je in een van de volgende situaties bevindt:
 - Bij het vliegen boven monochrome oppervlakken (bijv. volkomen zwart, volkomen wit, volkomen rood, volkomen groen).
 - Bij het vliegen boven zeer reflecterende oppervlakken.
 - Bij het vliegen bij hoge snelheden (meer dan 14 m/s op 2 meter hoogte of meer dan 5 m/s op 1 meter hoogte).
 - Bij het vliegen boven water of transparante oppervlakken.
 - Bij het vliegen boven bewegende oppervlakken of voorwerpen.
 - Bij het vliegen in een gebied waar de verlichting vaak of drastisch verandert.
 - Bij het vliegen boven extreem donkere (< 15 lux) of lichte (> 10.000 lux) oppervlakken.
 - Bij het vliegen boven oppervlakken die geluidsgolven kunnen absorberen (bijv. dik tapijt).
 - Bij het vliegen boven oppervlakken zonder duidelijke patronen of structuur.
 - Bij het vliegen boven oppervlakken met identieke herhalende patronen of structuren (bijvoorbeeld tegels met hetzelfde ontwerp).
 - Bij het vliegen boven hellende oppervlakken die geluidsgolven wegbuigen van de drone.
 - Kleine obstakels (met weinig reflectie van infrarode energie).
- In geval van verlies van het signaal van de afstandsbediening, wanneer het GPS-signaal zwak is of de drone de thuisbasis niet kan vinden, zweeft de drone gedurende 8 seconden om vervolgens automatisch te landen indien hij in de "P-modus" staat.
- Kalibratie van het Vision System is vereist indien de drone geneigd is neer te storten. Kalibreer het Vision System als de DJI GO 4-app je vraagt dit te doen.
- Wees je bewust van blinde vlekken (grijs) van het Vision System en het infraroodsensorsysteem.



Het neerwaartse Vision System wordt alleen gebruikt voor positionering.

- Gebruik geen andere ultrasone apparaten met een frequentie van 40 KHz of hoger/lager wanneer het Vision System in werking is. Zorg dat de sensoren te allen tijde schoon zijn. Probeer de sensoren NIET aan te passen.
- Het Vision System en het infrarood detectiesysteem kunnen de drone niet afremmen en stoppen op een veilige afstand van het obstakel als de snelheid van de drone hoger is dan 14 m/s (31,3 mph).

TapFly

LET OP

Om ernstig letsel of materiële schade te voorkomen, dien je de volgende richtlijnen in acht te nemen:

- Geef de drone NIET de opdracht om naar mensen, dieren, kleine en

flieje objecten (bijv. takken en hoogspanningsleidingen) of transparante objecten (bijv. glas en water) te vliegen.

2. Kijk uit voor potentiële obstakels in je omgeving (vooral aan de achter-, linker- en rechterzijde van de drone), en blijf hierbij uit de buurt om ongelukken te voorkomen.
3. Wees bereid om de bediening van de drone over te nemen door de joysticks op de afstandsbediening te bedienen, of druk in een noodgeval op de stop-knop op de afstandsbediening of op het scherm om TapFly te verlaten.

OPMERKING

1. Er kunnen afwijkingen tussen de verwachte en de werkelijke routes voor je TapFly-selectie optreden.
2. Het selecteerbare bereik op het scherm is beperkt. Je kunt geen TapFly-selecties maken bij de bovenste of onderste randen van het scherm.
3. De TapFly-modus werkt mogelijk NIET goed als het vliegtuig boven water of een met sneeuw bedekt gebied vliegt.
4. Wees extra voorzichtig tijdens het vliegen in zeer donkere (< 300 lux) of lichte (> 10.000 lux) omgevingen.

ActiveTrack

Om ernstig letsel en materiële schade te voorkomen, dien je de volgende richtlijnen in acht te nemen:

1. Verzeker je ervan dat er zich geen mensen, dieren, kleine en flieje objecten (bijv. takken en hoogspanningsleidingen) of transparante objecten (bijv. glas en water) bevinden langs de gewenste routes.
2. Kijk uit voor potentiële obstakels in je omgeving (vooral aan de achter-, linker- en rechterzijde van de drone), en blijf hierbij uit de buurt om ongelukken te voorkomen.
3. Wees bereid om de bediening van de drone over te nemen door de joysticks op de afstandsbediening te bedienen, of druk in een noodgeval op de stop-knop op de afstandsbediening of op het scherm om ActiveTrack te verlaten.

OPMERKING

1. Wees extra voorzichtig bij het gebruik van ActiveTrack in een van de volgende situaties:
 - a. De beweging van het gevolgde voorwerp is niet op een vlakke ondergrond.
 - b. Het gevolgde voorwerp verandert drastisch van vorm wanneer het beweegt.
 - c. Het gevolgde voorwerp kan worden geblokkeerd of een lange tijd uit het zicht zijn;
 - d. Wanneer het gevolgde voorwerp zich in een met sneeuw bedekt gebied bevindt.
 - e. De belichting is extreem laag (< 300 lux) of hoog (> 10.000 lux) en f. Het gevolgde voorwerp heeft een vergelijkbare kleur of patroon als de omgeving.
2. Je dient je aan de lokale privacywetgeving en regelgeving houden bij het gebruik van ActiveTrack.

Naleving van regelgeving en No Fly Zones

Regelgeving

⚠ WAARSCHUWING

Om ernstig letsel en materiële schade te voorkomen, dien je de volgende regels in acht te nemen:

1. NIET gebruiken in de nabijheid van bemande drones, ongeacht de hoogte. (Land onmiddellijk indien nodig)
2. Vlieg met de drone NIET in dichtbevolkte gebieden, waaronder steden, sportmanifestaties, tentoonstellingen, voorstellingen enz.
3. Vlieg met de drone NIET boven de toegestane hoogte. Blijf ver uit de buurt van en stoer bemande vliegtuigen NIET. Wees je bewust van en vermijd te allen tijde andere dreven en obstakels.

LET OP

Om ernstig letsel en materiële schade te voorkomen, dien je de volgende regels in acht te nemen:

1. Vlieg de drone NIET in de buurt van of binnen No Fly Zones zoals aangegeven in de lokale wetten en voorschriften. De lijst van No Fly Zones omvat: luchthavens, grenzen tussen twee soevereine landen of regio's, grote steden/regio's enz. Deze lijst wordt voortdurend bijgewerkt.
2. Vlieg met de drone NIET boven de toegestane hoogte.
3. Houd je drone altijd in het zicht (VLOS) en gebruik een waarnemer om u te helpen als dat nodig is.
4. Gebruik de drone nooit om gevaarlijke of illegale goederen/ladingen te vervoeren.

OPMERKING

1. Zorg ervoor dat je de aard van je vlucht (zoals voor recreatie, voor algemeen gebruik of voor commercieel gebruik) begrijpt en bijbehorende erkenning en goedkeuring van de betreffende overheidsinstellingen hebt ontvangen vóór de vlucht. Neem contact op met je plaatselijke regelgevers voor uitgebreide definities en specifieke vereisten. Gebruikers die met hun drone in de Verenigde Staten vliegen, dienen eerst te surfen naar <http://www.knowbeforeyoufly.org/> en actie te ondernemen die past bij hun omstandigheden.
2. Houd er rekening mee dat op afstand bestuurde drones verboden kunnen zijn voor de uitvoering van commerciële activiteiten in bepaalde landen en regio's. Controleer en volg alle toepasselijke wetten en regels voordat je gaat vliegen aangezien die regels kunnen afwijken van hetgeen hier is vermeld.
3. Vlieg NIET rond kwetsbare infrastructuur of eigendommen zoals elektriciteitscentrales, waterzuiveringsinstallaties, gevangenis, zwaar bereide gebied, overheidsgebouwen, militaire zones, enz.
4. Respecteer de privacy van anderen bij het gebruik van de camera. Voer GEEN surveillance uit zoals beeldregistratie of video-opname van personen, entiteiten, evenementen, voorstellingen, tentoonstellingen en eigendommen zonder vergoeding of wanneer er een verwachting van privacy is, zelfs indien de afbeelding of video slechts wordt vastgelegd voor persoonlijk gebruik.
5. Houd er rekening mee dat in bepaalde gebieden de opname van beelden en video's van evenementen, voorstellingen, tentoonstellingen, of commerciële eigendommen door middel van een camera kunnen indruisen tegen het auteursrecht of andere rechten, zelfs indien de afbeelding of video werd gemaakt voor persoonlijk gebruik.

No Fly Zones (gebieden met een vliegverbod)

OPMERKING

DJI neemt veiligheid zeer serieus en heeft daarom verschillende hulpmiddelen ontwikkeld om gebruikers te helpen voldoen aan de plaatselijke voorschriften en regelgeving tijdens het vliegen. Wij raden je ten eerste aan om de firmware te updaten naar de nieuwste versie om ervoor te zorgen dat de volgende functies volledig zijn geüpdatet:

No Fly Zones (gebieden met een vliegverbod)

1. Gebieden met een vliegverbod omvatten, maar zijn niet beperkt tot, grote luchthavens overal ter wereld, de grenzen tussen twee soevereine landen of regio's, grote steden/regio's, enz.
2. De lijst met no-fly zones is beschikbaar op de officiële DJI-website <http://www.dji.com/flysafe/no-fly> en is zonder voorafgaande kennisgeving onderhevig aan periodieke updates in overeenstemming met de nieuwste wet- en regelgeving.
3. Sommige No Fly Zones bestaan uit verschillende zones. Elke zone beschikt over cirkels van verschillende grootte. De drone zal NIET kunnen opstijgen in de binnenste zone van de No Fly Zones en zal dalen naar de opgegeven hoogte bij het naderen van de rand van de binnenste zone. De grondstationfunctie is uitgeschakeld wanneer de drone binnen een No Fly Zone komt.
4. Gebruikers kunnen geen routepunten instellen binnen No Fly Zones.

Hoogtelimiet

1. Vlieg NIET hoger dan 120 meter (400 feet) boven de grond en blijf uit de buurt van obstakels. De wettelijke maximale vlieghoogte conform je lokale wet- en regelgeving is mogelijk lager. Volg alle toepasselijke wetten nauwkeurig op.
2. Als je van plan bent om te vliegen boven de standaard hoogtelimiet, word je gevraagd akkoord te gaan met de weergegeven disclaimer om de nieuwe hoogtelimiet mogelijk te maken. Als de nieuwe hoogtelimiet wordt ingesteld, begrijp je en ga je er verder mee akkoord dat gegevens, met inbegrip van maar niet beperkt tot vluchtmetriegegevens en wijzigingen in de hoogtelimiet kunnen worden geüpload naar en worden onderhouden op een speciale DJI-server.

Deze inhoud is aan verandering onderhevig.

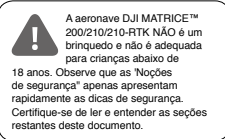
Download de nieuwste versie op www.dji.com/matrice-200-series

MATRICE is een handelsmerk van DJI.
Copyright © 2017 DJI Alle rechten voorbehouden.

Noções de segurança

1. Considerações com o meio ambiente

- Sempre voe em locais que não tenham edifícios e outros obstáculos.
- NÃO voe acima de multidões ou próximo delas.
- Evite voar acima de 120 m (400 pés)*.
- Voe em condições climáticas moderadas, com temperaturas entre -4° e 113° F (-20° a 45° C).
- Atente-se especialmente ao pilotar em ambientes fechados, pois os recursos de estabilização da aeronave podem sofrer interferências.
- NÃO voe se a velocidade do vento ultrapassar 10 m/s ou 22 mph.



2. Lista de verificação de pré-vo

- Certifique-se de que as baterias do controle remoto e da aeronave estejam totalmente carregadas.
- Certifique-se de que as hélices estejam em boas condições e firmemente instaladas antes de cada voo.
- Certifique-se de que não haja nada obstruindo os motores.
- Verifique se a lente da câmera está limpa e sem manchas.
- Calibre a bússola somente quando o aplicativo DJI GO™ 4 ou o indicador de status solicitar.
- Alterar ou modificar a aeronave pode afetar a sua estabilidade. Siga rigorosamente as instruções oficiais da DJI para conectar equipamentos externos compatíveis e certifique-se de que o peso total da aeronave não exceda 6,14 kg após a conexão. Certifique-se de que o equipamento externo esteja montado na posição direita conforme previsto na instrução oficial para evitar o deslocamento do centro de gravidade da aeronave.

3. Operação

- Fique longe das hélices giratórias e dos motores.
- Mantenha sempre o campo de visão da sua aeronave.
- A função de parada do motor em voo, pressionando o botão RTH enquanto puxa simultaneamente o joystick esquerdo para o canto inferior e o segura por 3 segundos, é desativado por padrão. O usuário deve acessar o aplicativo DJI GO 4 para ativar esta função. Ative esta função apenas em uma situação de emergência.
- NÃO atenda chamadas recebidas, digite mensagens de texto ou use quaisquer recursos de seus dispositivos móveis que podem distrair o operador da aeronave em voo. NÃO voe sob a influência de álcool ou entorpecentes.
- NÃO voe a baixa altura acima de superfícies refletivas como água ou neve, pois esses terrenos podem afetar o desempenho do Vision System.
- Em caso de Advertência de bateria fraca, aterrisse a aeronave imediatamente em um local seguro.
- Durante o procedimento Return-to-Home, é possível ajustar a altitude para evitar obstáculos.
- Depois de pousar, desligue o motor, a Intelligent Flight Battery e, em seguida, o controle remoto.
- Quando usar os recursos TapFly™ ou ActiveTrack™, esteja preparado para assumir o controle da aeronave empurrando os joysticks. Observe que a aeronave continuará a realizar as funções TapFly ou ActiveTrack após você ter empurrado os joysticks. Pressione o botão STOP no controle remoto ou na tela para sair totalmente dessas funções em andamento.
- Mesmo com a tecnologia avançada, é necessário que o piloto tenha cuidado durante o voo. Os recursos de auxílio de voo e segurança, tais como desvio de obstáculos, pouso preciso e proteção ao aterrisar, foram desenvolvidos para ajudar sua operação, e não para substituí-la. As condições ambientais, incluindo iluminação e textura dos obstáculos, podem afetar o desempenho do Vision System.
- No aplicativo DJI GO 4, configure a Altitude no modo Return-to-Home mais alta do que os obstáculos do entorno.
- A proteção ao aterrisar (detecta se o terreno é apropriado para o pouso a 2 metros de altitude acima do solo) é usada para otimizar a experiência de operação. Fique sempre alerta quando estiver no controle da aeronave, pois o Vision System pode ser desativado em certas situações (por exemplo, iluminação esmaecida ou padrões de superfície obscuros), e a detecção na superfície do solo pode falhar.

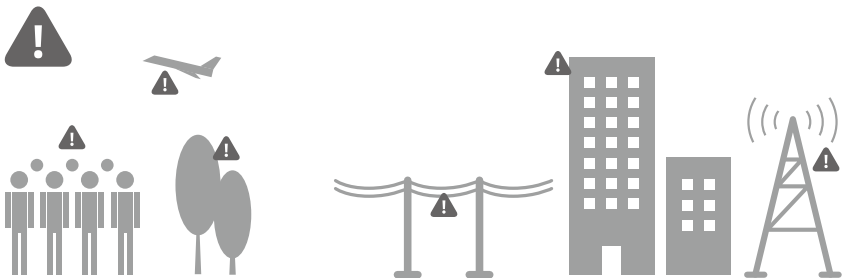
4. Manutenção

- NÃO utilize hélices velhas, lascadas ou quebradas.
- Temperatura de armazenamento recomendada: entre 22° e 30° C (71° e 86°)
- Consulte as Diretrizes de Segurança da Intelligent Flight Battery para obter mais informações sobre o uso seguro da bateria.

5. Obediência às leis e regulamentações locais

- NÃO entre nas Zonas de Exclusão Aérea. Você pode encontrar informações relevantes dessas áreas em <http://fllysafe.dji.com/>. Consulte as listas e regulamentações completas das Zonas de Exclusão Aérea junto às autoridades aeronáuticas locais.
- A restrição de altitude de voo varia conforme as diferentes jurisdições. NÃO voe acima das altitudes máximas definidas nas leis e regulamentações locais.
- Evite voar em áreas onde equipes de resgate estejam usando ativamente o espaço aéreo.

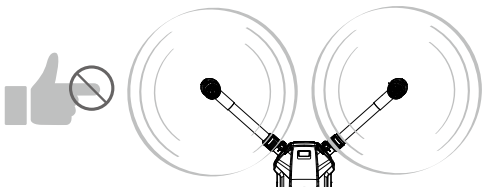
*A restrição de altitude de voo varia conforme as diferentes jurisdições. NÃO voe acima das altitudes máximas definidas nas leis e regulamentações locais.



Evitar voar sobre ou perto de multidões, árvores ou aeroportos. Fontes eletromagnéticas fortes, tais como linhas de energia, estações radiobase e edifícios altos, podem afetar a bússola integrada. É recomendada a utilização do Matrice 210-RTK. Fique sempre alerta sobre o entorno no voo.



Não use a aeronave em condições climáticas adversas como chuva, neve, neblina e velocidades do vento acima de 10 m/s (22 mph).



Fique longe das hélices giratórias e dos motores.



Zonas de Exclusão Aérea

Saiba mais em:
<http://flightsafe.dji.com/no-fly>

ATENÇÃO

Todas as instruções e outros documentos de garantia estão sujeitos à alteração a critério exclusivo da SZ DJI TECHNOLOGY CO., LTD ("DJI"). Para obter informações atualizadas sobre o produto, acesse <http://www.dji.com> e consulte a página do produto.

Glossário

Os seguintes termos são usados em toda a literatura documental para indicar vários níveis de danos em potencial ao operar este produto.

ATENÇÃO: Procedimentos que, se não seguidos corretamente, criam a probabilidade de danos físicos E pouca ou nenhuma possibilidade de ferimentos.

CUIDADO: Procedimentos que, se não seguidos corretamente, criam a probabilidade de danos físicos e ao patrimônio E a possibilidade de ferimentos graves.

ADVERTÊNCIA: Procedimentos que, se não seguidos corretamente, criam a probabilidade de danos ao patrimônio, danos colaterais e ferimentos graves OU criam alta probabilidade de ferimentos graves.



Leia o Manual do Usuário POR INTEIRO para se familiarizar com os recursos do

produto antes da operação. A utilização do produto em desacordo com o manual do usuário pode provocar danos no produto ou ao patrimônio e causar danos físicos graves.

Este é um produto sofisticado. Deve ser utilizado com cuidado e bom senso, e requer alguns conhecimentos básicos de mecânica. A utilização deste produto de uma maneira que não seja segura e responsável pode resultar em danos físicos, em danos no produto ou em outros bens materiais. Este produto não foi concebido para ser utilizado por crianças. NÃO use componentes incompatíveis nem altere este produto de qualquer maneira, salvo quando permitido pelos documentos relevantes fornecidos pela SZ DJI TECHNOLOGY CO., LTD. Estas diretrizes de segurança contêm instruções de segurança, funcionamento e manutenção. É importante ler e seguir todas as instruções e avisos constantes do manual do utilizador antes da montagem, configuração ou utilização, a fim de poder usar o produto com segurança e evitar danos materiais ou físicos graves.

RECOMENDAÇÕES DE IDADE: NÃO RECOMENDADO PARA CRIANÇAS E JOVENS COM MENOS DE 18 ANOS. ESTE PRODUTO NÃO É UM BRINQUEDO.

Lista de verificação de pré-voo

1. Certifique-se de que você esteja usando apenas peças originais e que todas as peças estejam em bom estado.
2. Certifique-se de que o controle remoto, a Intelligent Flight Battery e o dispositivo móvel estejam totalmente carregados.
3. Certifique-se de que não haja um objeto estranho preso na lente da câmera, que o cartão Micro SD tenha sido inserido na aeronave e que o estabilizador gire livremente ante de ligar.
4. Certifique-se de as hélices e as placas de montagem estejam firmemente montadas no motor e que os motores possam dar partida e funcionar normalmente.
5. Siga as instruções na tela para calibrar a bússola.
6. Certifique-se de que o aplicativo DJI GO 4 e o firmware da aeronave tenham sido atualizados para a versão mais recente.
7. Certifique-se de que a área de voo esteja fora de Zonas de Exclusão Aérea e que as condições de voo sejam adequadas para a aeronave.
8. Certifique-se de NÃO voar sob a influência de álcool, entorpecentes ou qualquer substância que possa prejudicar sua capacidade cognitiva.
9. Esteja familiarizado com o modo de voo selecionado e entenda todas as funções e avisos de segurança.
10. Certifique-se de observar todas as regulamentações locais, obter autorizações e compreender os riscos. LEMBRE-SE: é sua responsabilidade exclusiva obedecer todas as regulamentações vigentes.
11. MANTENHA SEMPRE A AERONAVE NO SEU CAMPO DE VISÃO (À VISTA DE SEUS OLHOS). NÃO dependa somente das imagens transmitidas diretamente da câmera para controlar a aeronave.
12. Verifique se o aplicativo DJI GO 4 foi iniciado corretamente para ajudar sua operação da aeronave. Sem os dados de voo registrado pelo aplicativo DJI GO 4, em determinadas situações (incluindo a perda de sua aeronave), a DJI™ pode não conseguir lhe oferecer suporte pós-venda nem assumir nenhuma responsabilidade.

Isenção de responsabilidade e aviso

Este produto NÃO é um brinquedo e não é adequado para crianças abaixo de 18 anos. Adultos devem manter a aeronave fora do alcance de crianças e ter cuidado ao operá-la na presença de crianças.

Embora o produto conte com uma tecnologia avançada, seu uso inadequado pode resultar em lesões pessoais ou danos ao patrimônio. Leia as matérias relacionadas com o produto antes de utilizá-lo pela primeira vez. Esses documentos são incluídos na embalagem do produto e também estão disponíveis on-line no site <http://www.dji.com>, na página de produtos da DJI.

As informações contidas neste documento afetam a sua segurança e os seus direitos legais e responsabilidades. Leia este documento cuidadosamente para assegurar uma configuração correta antes da utilização. Deixar de ler e seguir as instruções e avisos deste documento pode resultar em perda do produto, ferimentos graves em você ou danos à sua aeronave.

Ao usar este produto, você confirma que leu cuidadosamente este Aviso de isenção e advertências e que você entende e concorda em cumprir os termos e condições aqui contidos. EXCETO QUANDO EXPRESSAMENTE DETERMINADO PELAS POLÍTICAS DE SERVIÇOS POS-VENDA DISPONÍVEIS NO SITE ([HTTP://WWW.DJI.COM/CSERVICE/POLICY/](http://www.dji.com/CSERVICE/POLICY/)), O PRODUTO E TODOS OS MATERIAIS, BEM COMO O CONTEÚDO DISPONIBILIZADO POR MEIO DO PRODUTO, SÃO FORNECIDOS "COMO ESTÃO" E SUJEITOS À "DISPONIBILIDADE"; SEM GARANTIA OU CONDIÇÃO DE QUALQUER TIPO, TANTO EXPLÍCITAS QUANTO IMPLÍCITAS. A DJI ISENTA-SE DE TODAS AS GARANTIAS DE QUALQUER TIPO, EXCETO QUANDO EXPRESSAMENTE DETERMINADO PELAS POLÍTICAS DE SERVIÇOS POS-VENDA DA DJI, SEJA DE FORMA IMPLÍCITA OU EXPLÍCITA, EM RELAÇÃO AO PRODUTO, OS ACESSÓRIOS DO PRODUTO E TODOS OS MATERIAIS, INCLUINDO: (A) QUALQUER GARANTIA IMPLÍCITA DE COMERCIALIZAÇÃO, CONDICIONAMENTO PARA UM PROPÓSITO ESPECÍFICO, POSSÍVEL DIVERTIMENTO SILENCIOSO OU NÃO VIOLAÇÃO; E (B) QUALQUER GARANTIA DECORRENTE DE DISTRIBUIÇÃO, USO OU TROCA. A DJI NÃO GARANTE, EXCETO QUANDO EXPRESSAMENTE DETERMINADO NA GARANTIA LIMITADA DA DJI, QUE O PRODUTO, OS ACESSÓRIOS DO PRODUTO, QUALQUER PEÇA DO PRODUTO OU QUALQUER MATERIAL SÃO LIVRES DE INTERFERÊNCIAS, SEGUROS OU LIVRES DE ERROS, VÍRUS OU OUTROS COMPONENTES NÓCIVOS, E NÃO GARANTE QUE QUALQUER UM DESSES PROBLEMAS SERÁ CORRIGIDO.

NENHUM AVISO OU INFORMAÇÃO, SEJA VERBAL OU ESCRITO(A), OBTIDO(A) POR VOCÊ A RESPEITO DO PRODUTO, DOS ACESSÓRIOS DO PRODUTO OU DE QUALQUER MATERIAL CRIARÁ QUALQUER GARANTIA DA DJI OU DO PRODUTO QUE NÃO ESTEJA EXPLICITAMENTE DESCRITO NESSES TERMOS. VOCÊ ASSUME TODOS OS RISCOS POR QUALQUER DANO QUE POSSA RESULTAR DO SEU USO OU ACESSO AO PRODUTO, AOS ACESSÓRIOS DO PRODUTO E A QUALQUER MATERIAL. VOCÊ ENTENDE E CONCORDA QUE O USO QUE FAZ DO PRODUTO É DE SUA RESPONSABILIDADE E RISCO, E QUE VOCÊ É TOTALMENTE RESPONSÁVEL POR QUALQUER FERIMENTO PESSOAL, DANO AO PATRIMÔNIO (INCLUINDO O SISTEMA DO SEU COMPUTADOR OU DISPOSITIVO MÓVEL OU O HARDWARE DA DJI USADO EM CONJUNTO COM O PRODUTO) OU AO PATRIMÔNIO DE TERCEIROS, BEM COMO A PERDA DE DADOS RESULTANTE DO USO OU DA FALTA DE CAPACIDADE DE UTILIZAR O PRODUTO.

ALGUMAS JURISDIÇÕES PODEM PROIBIR A ISENÇÃO DE RESPONSABILIDADE DE GARANTIA, E VOCÊ PODE TER OUTROS DIREITOS QUE VARIAM DE ACORDO COM A JURISDIÇÃO.

A DJI não assume qualquer responsabilidade pelos danos, ferimentos ou quaisquer responsabilidades legais decorrentes direta ou indiretamente da utilização deste produto. O usuário deve observar práticas seguras e legais, incluindo, mas não se limitando àquelas estabelecidas nas Diretrizes de segurança.

Armazenamento e uso de dados

Quando você usar nosso aplicativo móvel ou nossos produtos ou outro software, dados sobre o uso e a operação do produto, como os dados de telemetria de voo (por exemplo, velocidade, altitude, autonomia da bateria e informações sobre o estabilizador e a câmera) e registros de operações, podem ser fornecidos à DJI. O dispositivo de armazenamento interno incorporado ao produto armazena vários tipos de dados, incluindo dados de telemetria de voo. Você também pode fornecer dados de telemetria de voo e outros dados para nós quando você transmitir essas informações manualmente do dispositivo de armazenamento interno para nós.

Para mais informações, consulte a Política de Privacidade da DJI (disponível em <http://www.dji.com/policy>).

Antes de começar

Este produto é uma aeronave que oferece voo fácil quando está em bom funcionamento, conforme estabelecido abaixo. Visite <http://www.dji.com> para obter as instruções e advertências mais atualizadas e <http://knowbeforeyoufly.org/> para obter mais informações sobre segurança e conformidade de voo.

Os documentos a seguir foram produzidos para ajudá-lo a operar com segurança e aproveitar ao máximo sua aeronave:

Incluído na embalagem
Isenção de responsabilidade e diretrizes de segurança
Diretrizes de segurança da Intelligent Flight Battery
Guia de início rápido
Manual do Usuário

Antes do voo, verifique todas as peças incluídas listadas no documento Na Caixa e leia as Diretrizes de segurança e Avisos Legais. Em seguida, prepare-se para seu primeiro voo usando o Guia de Início Rápido e assistindo a todos os vídeos do tutorial no site oficial da DJI (<http://www.dji.com>). Se você tiver dúvidas, consulte o Manual do Usuário no aplicativo ou no site oficial da DJI para obter informações mais abrangentes. Certifique-se de compreender totalmente a funcionalidade de cada uma das peças, os requisitos de condição de voo, as principais funções/sistemas de advertência de contingência e todas as regulamentações governamentais antes de cada voo. Se você tiver alguma dúvida ou problema durante a montagem, manutenção ou uso deste produto, entre em contato com a DJI ou um revendedor autorizado da DJI.

Peças individuais

Relação de peças originais e funcionais

⚠️ ADVERTÊNCIA

Para evitar mau funcionamento do componente, ferimentos graves e danos ao patrimônio, observe as seguintes regras:

1. Use somente peças originais DJI ou peças certificadas pela DJI. Peças não autorizadas ou peças de fabricantes não certificados pela DJI podem causar mau funcionamento do sistema e comprometer a segurança.
2. Verifique se não há objetos estranhos (como água, óleo, solo, areia etc.) dentro da aeronave ou em seus componentes.
3. Certifique-se de que a aeronave e componentes - incluindo, mas não limitado a, controle remoto, câmera, estabilizador, bússola, sistema de propulsão e bateria - estejam em boas condições de funcionamento, livres de danos e funcionando bem. Consulte as seções restantes deste documento para obter mais detalhes sobre como garantir a funcionalidade desses componentes.
4. NÃO modifique ou altere a aeronave, nem os componentes e as peças dela. A modificação não autorizada pode causar mau funcionamento da aeronave e afetar a sua segurança e funcionalidade.

Controle remoto

⚠️ ATENÇÃO

1. Certifique-se de que o controle remoto esteja totalmente carregado antes de cada voo.
2. Se o controle remoto estiver ligado e NÃO tiver sido usado por 5 minutos, ele emitirá um som de alerta. Após 6 minutos, ele será desligado automaticamente. Mova as hastes ou execute alguma outra ação para cancelar o alerta.
3. Ajuste a braçadeira de suporte do dispositivo móvel para permitir que se possa segurar firmemente o seu dispositivo móvel.
4. Certifique-se de que suporte do dispositivo móvel esteja firmemente no lugar e não escorrega.
5. Certifique-se de que as antenas do controle remoto estejam desdobradas e ajustadas na posição adequada para obter a melhor qualidade de transmissão.
6. Repare ou substitua o controle remoto se estiver danificado. Uma antena do controle remoto danificada diminuirá significativamente o desempenho.
7. É necessário estabelecer um link você deseja substituir o controle remoto ou receptor ou adicionar um novo controle remoto. Consulte o Manual do usuário para obter detalhes.
8. Desligue primeiro a aeronave (quando for seguro fazer isso) e, em seguida, desligue o controle remoto. Caso contrário, pode haver perda de controle do equipamento.
9. Carregue e descarregue totalmente a bateria pelo menos uma vez a cada 3 meses para manter a sua integridade.

Bússola

⚠️ CUIDADO

Para evitar possíveis ferimentos graves e danos à propriedade, observe a seguinte regra:

Aterrisque imediatamente quando um desvio considerável ocorrer durante o voo; por exemplo, a aeronave NÃO voa em linha reta.

⚠️ ATENÇÃO

Calibre a bússola somente quando o aplicativo DJI GO 4 ou o indicador de status solicitar. Observe as seguintes regras ao calibrar a bússola:

1. NÃO calibre a bússola em locais onde exista a chance de forte interferência magnética, como magnetita, estruturas de estacionamento e estruturas subterrâneas de metal.
2. NÃO carregue materiais ferromagnéticos, como celulares, com você durante a calibração.
3. O aplicativo DJI GO 4 solicitará que você resolva o problema da bússola se ela for afetada por interferência forte após a realização da calibração. Siga as instruções indicadas para resolver o problema da bússola.

Sistemas de propulsão

⚠️ ADVERTÊNCIA

Para evitar ferimentos graves em si mesmo ou em terceiros, que podem ser causados pelas hélices rotativas e os motores, observe as seguintes regras:

Hélices

1. NÃO utilize hélices velhas, lascadas ou quebradas.
2. Sempre desligue a aeronave antes de tocar as hélices.
3. Esteja ciente das bordas afiadas da hélice ao montá-las ou removê-las. Use luvas ou tome outras medidas de proteção ao tocar as hélices.
4. Sempre que necessário, use ferramentas (por exemplo, chave de boca, chave de fenda, alicates etc.) para remover ou instalar as hélices.
5. Certifique-se de que as hélices estejam instaladas com firmeza para impedir que se desprendam dos motores.
6. NÃO ligue os motores quando as hélices estiverem montadas e houver outras pessoas e animais nas imediações.
7. Usar hélices de terceiros pode comprometer a aerodinâmica da aeronave. Para uma experiência de voo melhor e mais segura, recomendamos que você utilize apenas hélices originais da DJI.
8. Limpe as hélices para mantê-las secas antes de cada voo nos locais em que a temperatura circundante for de cerca de 0 °C (32 °F), para evitar o congelamento das hélices).

Motores

1. Certifique-se de que os motores estejam instalados com firmeza e girem suavemente.
2. NÃO tente modificar a estrutura dos motores.
3. NÃO toque, nem deixe suas mãos ou seu corpo tocarem os motores após o voo, pois eles podem estar quentes.

⚠️ CUIDADO

Para evitar possíveis ferimentos graves e danos ao patrimônio, observe as seguintes regras:

1. NÃO bloqueie nenhum dos orifícios de ventilação dos motores.
2. NÃO bloqueie nenhum dos orifícios de ventilação no braço da estrutura da aeronave.

⚠️ ATENÇÃO

Motores

1. Mantenha os motores livres de poeira.
2. Se o motor estiver emperrado e não puder girar livremente, execute o comando CSC (Combination Stick Command) para parar os motores imediatamente.

Controladores Eletrônicos de Velocidade

Verifique se os ESCs emitem som normal quando ligados.

Aplicativo DJI GO 4

⚠️ ATENÇÃO

1. Certifique-se de carregar totalmente seu tablet ou dispositivo móvel antes de iniciar o aplicativo.
2. O plano de dados do celular é necessário para operar o aplicativo DJI GO 4. Consulte a sua operadora de celular para orientar-se quanto a taxas de dados sem fio.

- Se você estiver usando um telefone como seu dispositivo de exibição móvel, certifique-se de continuar a voar com segurança quando o telefone receber uma chamada de entrada. NÃO atenda chamadas telefônicas durante o voo.
- Leia cuidadosamente todas as dicas de segurança, mensagens de aviso e isenções de responsabilidade. Esteja familiarizado com as regulamentações da sua área. Você é exclusivamente responsável por estar ciente de todas as regulamentações relevantes e por voar de acordo com elas.
 - Leia e compreenda as mensagens de advertência antes de usar os recursos Decolagem automática e Aterrissagem automática.
 - Leia e compreenda as mensagens de advertência antes de redefinir o seu Home Point.
 - Leia e compreenda as mensagens de advertência e a isenção de responsabilidade de antes de configurar a altitude além do limite regulatório.
 - Leia e compreenda as mensagens de advertência e a isenção de responsabilidade antes de alternar entre os modos de voo.
- Aterrisse sua aeronave imediatamente em um local seguro se houver um alerta exibido no aplicativo.
- Examine e verifique se todas as mensagens de advertência na lista de verificação exibida no aplicativo antes de cada voo.
- Use o simulador no aplicativo para praticar as suas habilidades de voo se você nunca tiver operado a aeronave ou se NÃO tiver experiência suficiente para sentir-se à vontade para operar a aeronave.
- Armazene em cache os dados do mapa da área em que você pretende voar com a aeronave, conectando-se à internet antes de cada voo.
- O aplicativo foi desenvolvido para auxiliar sua operação. Use-o com bom senso e NÃO dependa dele para controlar a aeronave.
- A utilização do aplicativo está sujeita aos Termos de Uso do DJI GO 4 e à Política de Privacidade da DJI. Leia-os cuidadosamente no aplicativo.

Firmware

⚠️ ADVERTÊNCIA

Para evitar ferimentos graves em crianças e animais, observe a regra a seguir:

Mantenha as crianças e animais a uma distância segura durante qualquer procedimento de atualização de firmware, calibração do sistema e configuração de parâmetro.

ATENÇÃO

- Para sua segurança, sempre atualize o firmware para a versão mais recente quando uma notificação de atualização for mostrada no aplicativo DJI GO 4.
- As notificações de atualização de firmware informarão sobre novas atualizações de firmware. É necessário que você leia e entenda as informações mostradas. Você entende e concorda que os dados, incluindo, mas não limitado a dados de telemetria de voo e registros de seleções do usuário, possam ser carregados e mantidos em um servidor designado pela DJI.
- Certifique-se de atualizar o firmware do controle remoto para a versão mais recente depois de atualizar o firmware da aeronave.
- O controle remoto pode perder o link com a aeronave após a atualização. Estabeleça o link novamente entre o controle remoto e a aeronave.
- Certifique-se de verificar todas as conexões e remover as hélices dos motores antes de executar a atualização do firmware.

Câmera (opcional)

⚠️ ADVERTÊNCIA

Para evitar possíveis ferimentos graves e danos à propriedade, observe a seguinte regra:

NÃO bloqueie as aberturas de ventilação na câmera, pois o calor gerado pode feri-lo e danificar o dispositivo.

ATENÇÃO

- Verifique as configurações da câmera antes do uso para garantir que você possa ajustá-las de acordo com as suas necessidades.
- Teste a câmera capturando algumas imagens de teste e verifique se está funcionando corretamente antes de fotografar imagens ou vídeos importantes.
- NÃO remova o cartão Micro SD da câmera quando estiver ligada.
- Fotos ou vídeos não podem ser transmitidos nem copiados da aeronave se a Intelligent Flight Battery estiver desligada.

- Certifique-se de desligar a Intelligent Flight Battery corretamente; caso contrário, os parâmetros da sua câmera NÃO serão salvos e quaisquer vídeos gravados podem ser danificados.
- Independentemente do motivo, a DJI não se responsabilizará por quaisquer falhas de gravação de uma imagem ou vídeo, nem pela gravação de uma forma que não possa ser lida pela máquina.

Estabilizador (opcional)

ATENÇÃO

- Os elementos de precisão do estabilizador podem ser danificados em uma colisão ou uma queda, e isso pode fazer o estabilizador funcionar de maneira anormal.
- NÃO aplique força externa no estabilizador depois que ele estiver ligado.
- NÃO adicione cargas ao estabilizador, pois isso pode fazer com que funcione anormalmente ou até mesmo causar danos ao motor.
- O estabilizador e seu conector são muito delicados. Manuseie com cuidado e NÃO toque no conector do estabilizador, já que qualquer dano fará com que ele funcione de maneira anormal.
- Segure firmemente o estabilizador ao retirá-lo ou colocá-lo, para que não caia.
- NÃO conecte nem desconecte o estabilizador quando a aeronave estiver ligada.
- Um estabilizador único e estabilizadores duplos devem ser usados separadamente.
- Quando utilizar um estabilizador simples voltado para cima e estabilizadores duplos voltados para baixo, siga rigorosamente as instruções no Manual do Usuário, montando corretamente as câmeras compatíveis dos estabilizadores; caso contrário, a transmissão de imagens pode falhar.

Cuidados com o produto

Armazenamento e transporte

⚠️ ADVERTÊNCIA

Para evitar ferimentos graves em crianças e animais, observe a regra a seguir:

Peças pequenas, como cabos e braçadeiras, são perigosos se engolidos. Mantenha todas as peças fora do alcance de crianças e animais.

ATENÇÃO

- Armazene a Intelligent Flight Battery e o controle remoto em um local fresco e seco longe da luz solar direta para garantir que a bateria integrada LiPo NÃO superaqueça. Temperatura de armazenamento recomendada: entre 71° e 86° F (22° e 30° C) para períodos de armazenamento maiores que três meses. Nunca armazene em ambientes fora da faixa de temperatura de -4° a 113° F (-20° a 45° C).
- NÃO permita que a câmera entre em contato com água ou outros líquidos, nem fique imersa neles. Se ela ficar molhada, seque com um pano macio e absorvente. Ligar uma aeronave que tenha caído na água pode causar danos permanentes ao componente. NÃO use substâncias inflamáveis para limpar ou fazer manutenção da câmera. NÃO armazene a câmera em locais com poeira ou umidade.
- Desconecte o estabilizador da aeronave se for armazená-la por um longo período de tempo ou transportá-la por longas distâncias.
- NÃO conecte este produto a nenhuma interface USB mais antiga do que a versão 2.0. NÃO conecte este produto a nenhum dispositivo "power USB" ou similar.

Manutenção

ATENÇÃO

- Entre em contato com os centros de serviço recomendados pela DJI para fazer a inspeção ou reparo do produto após qualquer acidente ou choque violento. Operar aeronaves danificadas é muito perigoso e pode causar ferimentos ou danos ao patrimônio.
- A bateria pode ficar armazenada por três meses se o nível da bateria restante permanecer entre 40% e 65%. Carregue e descarregue totalmente a bateria pelo menos uma vez a cada 3 meses para manter a sua integridade.
- É recomendável agendar uma manutenção a cada 50 horas de voo para a obter segurança e confiabilidade do voo.

Requisitos de condições de voo

Condições climáticas e ambiente ao redor

⚠️ ADVERTÊNCIA

A aeronave foi projetada para operar em condições climáticas boas a moderadas. Para evitar colisões, ferimentos graves e danos à propriedade, observe as seguintes regras:

1. NÃO utilize a aeronave em condições climáticas rigorosas. Isso inclui velocidades do vento acima de 10 m/s, neve, chuva, neblina, vento forte, granizo, raios, tornados ou furacões.
2. Mantenha a aeronave a, no mínimo, 30 pés (10 metros) de distância de obstáculos, pessoas, animais, edifícios, árvores, infraestrutura pública e corpos d'água durante o voo. Fique ainda mais longe desses objetos à medida que a altitude aumenta.
3. Seja EXTREMAMENTE cuidadoso ao operar a aeronave em ambientes fechados. Alguns recursos da aeronave, principalmente o de estabilização, podem ser afetados.
4. Certifique-se de ativar o Vision System ao voar em ambientes fechados. Note que o sistema Vision System pode NÃO funcionar adequadamente se a aeronave estiver voando sobre água, superfícies sem um padrão claro ou em um ambiente de pouca luz.

ATENÇÃO

1. O desempenho da aeronave e da bateria está sujeito a fatores ambientais, como densidade do ar e temperatura.
 - a. NÃO opere a aeronave quando a temperatura estiver fora da faixa de -4° a 113° F (-20° a 45° C).
2. NÃO use a aeronave perto de acidentes, incêndios, explosões, inundações, tsunamis, avalanches, deslizamentos, terremotos, poeira ou tempestades de areia.

Interferência com as comunicações

ATENÇÃO

1. Verifique se qualquer parte da aeronave foi atingida ou caiu. Entre em contato com o suporte da DJI ou os revendedores autorizados quando necessário.
2. Voe em espaços abertos. Edifícios altos ou estruturas de aço podem afetar a precisão da bússola embarcada e bloquear o sinal do GPS.
3. Evite interferência entre o controle remoto e outros equipamentos sem fio. Certifique-se de desligar o Wi-Fi do seu dispositivo móvel.
4. Fique extremamente atento quando voar próximo de áreas com interferência magnética ou de rádio, e como o M210-RTK seja recomendada em tal ambiente. Isso inclui, mas não está limitado a: linhas de alta tensão, estações de transmissão de energia em grande escala ou estações radiobase e torres de transmissão celulares. Deixar de fazer isso pode comprometer a qualidade da transmissão deste produto ou causar erros do controle remoto ou de transmissão de vídeo que podem afetar a orientação de voo e a precisão da localização. A aeronave pode se comportar de forma anormal ou sair de controle em áreas com interferência excessiva.

Operação da aeronave de forma responsável

⚠️ ADVERTÊNCIA

Para evitar ferimentos graves e danos à propriedade, observe as seguintes regras:

1. Certifique-se de que você NÃO tenha bebido, tomado medicamentos, esteja sob a influência de anestesia ou sofrendo de vertigem, fadiga, náusea ou qualquer outra condição física ou mental que possa prejudicar sua capacidade de operar a aeronave com segurança.
2. Puxar o joystick esquerdo até o canto inferior interno e pressionar o botão RTH ao mesmo tempo faz com que o motor seja desligado enquanto a aeronave estiver em voo. A função de pouso não será acionada. NÃO execute essa combinação de comando, exceto em uma situação de emergência. Esta função é desativada por padrão. Você pode ativar esse recurso de comando combinado por meio do aplicativo DJI GO 4.
3. Ao aterrissar, desligue a aeronave primeiro, depois desligue o controle remoto.
4. NÃO derrube, arremesse, incendeie e nem projete cargas perigosas ou sobre edifícios, pessoas ou animais, porque isso pode causar ferimentos ou danos ao patrimônio.
5. NÃO use a aeronave caso tenha caído ou batido acidentalmente, ou caso esteja em más condições.

ATENÇÃO

1. Certifique-se de ter sido suficientemente treinado e estar plenamente ciente de quaisquer planos de contingência antes que ocorram acidentes.
2. Certifique-se de ter um plano de voo e nunca voar com a aeronave de forma imprudente.
3. Respeite a privacidade das outras pessoas ao usar a câmera. Certifique-se de estar em conformidade com leis locais, regulamentações e padrões morais de privacidade.
4. NÃO use este produto por qualquer motivo que não o uso pessoal geral. NÃO o utilize para qualquer propósito ilegal ou impróprio (como espionagem, operações militares ou investigações não autorizadas).
5. NÃO use este produto para difamar, assediar, ameaçar, perseguir ou violar os direitos legais (como o direito de privacidade e publicidade) de outros.
6. NÃO invada propriedades privadas de outras pessoas.

Modos de voo, funções e advertências

Modos de voo

⚠️ ADVERTÊNCIA

Para evitar ferimentos graves e danos à propriedade, observe a seguinte regra:

NÃO mude do P-mode para o A-mode ou S-mode, a menos que esteja suficientemente familiarizado com o comportamento da aeronave em cada modo de voo, pois desativar o GPS pode resultar em incapacidade de aterrissar a aeronave com segurança.

ATENÇÃO

O P-mode ou o S-mode é o preferencial para a maioria dos cenários de voo. Os usuários podem alternar para o A-mode se o P-mode ou o S-mode estiver indisponível. Ao voar em A-mode, tome precauções EXTRAS, pois alguns recursos NÃO estão disponíveis no A-mode. Quando utilizada em ambientes fechados, a aeronave não pode executar a flutuação de precisão ao voar acima de superfícies que não tenham um padrão nítido. Consulte a seção "Vision System e Sistema de Detecção por Infravermelho" para ver os critérios completos de voo em ambientes fechados.

1. P-mode (Posicionamento): O P-mode funciona melhor quando o sinal de GPS está forte. A aeronave utiliza o GPS e o Vision System para estabilizar-se automaticamente, navegar entre os obstáculos ou acompanhar um objeto em movimento. Recursos avançados, como TapFly e ActiveTrack, são ativados nesse modo.
2. S-mode (Esportes): O S-mode é idêntico ao P-mode em termos de configurações do controlador de voo, exceto que os valores de ganho de manuseio da aeronave são ajustados a fim de melhorar a manobrabilidade. Nesse modo, a velocidade de voo máxima da aeronave é aumentada.
3. A-mode (Altitude): Quando nem o GPS nem o Vision System estiver disponível, a aeronave usará somente o barômetro no posicionamento para controlar a altitude.

Se você pretende mudar para modos que desativam a assistência do GPS (por exemplo, A-mode), será necessário aceitar a declaração de isenção de responsabilidade apresentada para ativar essa função. Se a função for ativada, você entende e concorda que os dados, incluindo, mas não limitado a dados de telemetria de voo e registros de funções, possam ser carregados e mantidos em um servidor designado pela DJI.

Failsafe e Return to Home

ATENÇÃO

1. O recurso Return to Home NÃO irá funcionar se o sinal de GPS for insuficiente (sinal do GPS com menos de três barras) ou se o GPS não estiver ativo.
2. Pressione o RTH (Return to Home) no controle remoto para trazer a aeronave de volta para o Home Point, em vez de desligar o controle remoto.
3. Edifícios altos podem afetar de forma adversa a função Failsafe. Ajuste a localização, a altitude e a velocidade da aeronave ao executar o Return to Home, a fim de evitar obstáculos. A aeronave irá parar de subir e retornará imediatamente ao Home Point se você mover o joystick do lado esquerdo, quando a aeronave atingir 20 metros (65 pés) de altitude ou mais durante a função Failsafe.
4. Certifique-se de sempre voar com a aeronave dentro do alcance de transmissão do controle remoto.

- Use as funções Failsafe e Return to Home somente em caso de emergência. Algumas funções podem ser afetadas pelo clima, ambiente ou campos magnéticos próximos.
- O aeronave não consegue evitar obstáculos durante o Failsafe RTH, quando a condição de iluminação não for ideal. Portanto, é importante estabelecer uma altitude adequada de Failsafe antes de cada voo.
- Se a vida útil da bateria permitir, a aeronave poderá retornar à última posição em que tinha conexão com o controle remoto durante o Failsafe RTH. Como resultado, talvez a aeronave voe para longe de você, retornando em seguida ao home point.

Bateria fraca

ATENÇÃO

- Quando a Advertência de Nível de Bateria Crítico for ativada e a aeronave estiver descendo automaticamente, você poderá empurrar o acelerador para cima para manter a altitude da aeronave e navegar com ela até um local mais adequado para pouso.
- Quando acionadas, as advertências de bateria trazem imediatamente a aeronave de volta para o Home Point ou a aterrissam, a fim de evitar perda de potência durante o voo e danos à aeronave, ao patrimônio, a animais e a pessoas.

D-RTK (para o M210-RTK)

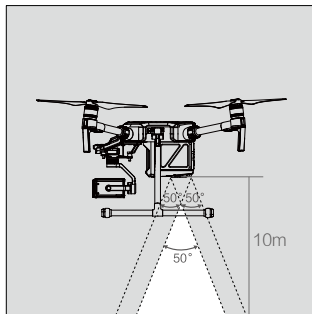
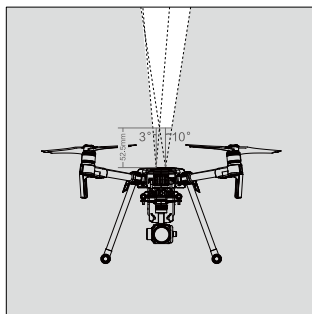
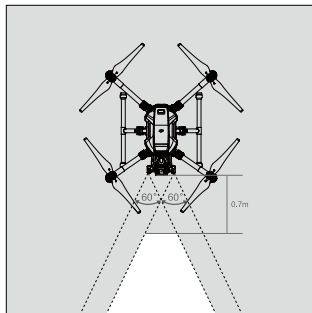
ATENÇÃO

- Use somente peças originais DJI ou peças certificadas pela DJI. Peças não autorizadas ou peças de fabricantes não certificados pela DJI podem causar mau funcionamento do sistema e comprometer a segurança.
- Opere em um ambiente aberto livre de interferência de rádio. As antenas devem ser mantidas na mesma altura e NÃO obstrua umas às outras quando utilizadas.
- NÃO curve ou dobre o cabo da antena excessivamente.
- Verifique se o D-RTK™ e seus componentes estão livres de contaminação (por exemplo, água, óleo, terra e areia).

Vision System e Sistema de Detecção Infravermelho

ATENÇÃO

- O Vision System não funciona corretamente acima de superfícies que NÃO tenham variações de padrão. O Vision System é eficaz somente quando a aeronave está a altitudes de 0,3 a 10 metros.
- O Vision System pode NÃO funcionar adequadamente quando a aeronave está voando acima da água.
- Mantenha seus animais de estimação afastados da aeronave quando o Vision System estiver ativado, pois os sensores do sonar emitem um som de alta frequência que somente é audível para alguns animais.
- Tenha cuidado ao operar a aeronave em qualquer uma das seguintes situações:
 - Voar sobre superfícies monocromáticas (por exemplo, preto puro, branco puro, vermelho puro, verde puro);
 - Voar sobre superfícies altamente reflexivas.
 - Voar a altas velocidades (acima de 14m/s a 2 metros ou acima de 5m/s a 1 metro).
 - Voar sobre água ou superfícies transparentes.
 - Voar sobre superfícies ou objetos móveis.
 - Voar em uma área onde a iluminação muda frequentemente ou drasticamente.
 - Voar sobre superfícies extremamente escuras (< 15 lux) ou claras (> 10.000 lux).
 - Voar sobre superfícies que podem absorver ondas sonoras (por exemplo, carpete espesso);
 - Voar sobre superfícies sem padrões ou texturas visíveis.
 - Voar sobre superfícies com padrões ou texturas repetidas idênticas (por exemplo, azulejos com o mesmo desenho).
 - Voar sobre superfícies inclinadas que refletem ondas sonoras para longe da aeronave.
 - Pequenos obstáculos (com menos energia de reflexão de infravermelhos).
- Em caso de perda do sinal do controle remoto e o sinal do GPS estiver fraco, se a aeronave não detectar o Home Point, a aeronave irá pairar por 8 segundos e, em seguida, pousará automaticamente se estiver no P-mode.
- A calibração do Vision System é necessária se a aeronave sofrer impactos. Calibre o Vision System se o aplicativo DJI GO 4 solicitar.
- Atente-se aos pontos cegos (em cinza) do Vision System e do Sistema de Detecção por Infravermelho.



O sistema de visão descendente é usado somente para o posicionamento.

- Não use outros dispositivos ultrassônicos com frequência de 40 KHz ou aproximada quando o Vision System estiver em operação. Mantenha os sensores sempre limpos. NÃO obstrua os sensores.
- O Vision System e o Sistema de Sensores Infravermelhos não conseguem parar a aeronave a uma distância segura do obstáculo se ela estiver sendo pilotada a uma velocidade superior a 14 m/s (31,3 mph).

TapFly

CUIDADO

Para evitar ferimentos graves e danos ao patrimônio, observe as seguintes regras:

- NÃO oriente a aeronave para voar na direção de pessoas, animais, objetos pequenos e finos (por exemplo, galhos de árvores e linhas de energia) ou transparentes (por exemplo, vidro ou água).

2. Fique atento aos potenciais obstáculos na sua área circundante (especialmente atrás, à esquerda e à direita da aeronave) e afaste-se deles para evitar acidentes.
3. Esteja preparado para assumir o controle da aeronave empurrando os joysticks do controle remoto, ou pressione o botão STOP no controle remoto ou na tela para sair do TapFly em caso de emergência.

ATENÇÃO

1. Pode haver desvios entre os percursos de voo esperado e real da sua seleção do TapFly.
2. O intervalo selecionado na tela é limitado. NÃO é possível fazer seleções de TapFly que estejam perto da borda superior ou inferior da tela.
3. O modo TapFly pode NÃO funcionar adequadamente quando a aeronave está acima da superfície da água ou de uma área coberta de neve.
4. Seja extremamente cuidadoso ao voar em ambientes extremamente escuros (< 300 lux) ou brilhantes (>10.000 lux).

ActiveTrack

Para evitar ferimentos graves e danos ao patrimônio, observe as seguintes regras:

1. Certifique-se de que não existam pessoas, animais, objetos pequenos e finos (por exemplo, galhos de árvores e de linhas de transmissão de energia) ou objetos transparentes (por exemplo, vidro e água) ao longo do caminho de rastreamento desejado.
2. Fique atento aos potenciais obstáculos na sua área circundante (especialmente atrás, à esquerda e à direita da aeronave) e afaste-se deles para evitar acidentes.
3. Esteja preparado para assumir o controle da aeronave empurrando os joysticks do controle remoto, ou pressione o botão STOP no controle remoto ou na tela para sair do ActiveTrack em caso de emergência.

ATENÇÃO

1. Redobre o cuidado ao usar o ActiveTrack em qualquer uma das seguintes situações:
 - a. O movimento do objeto acompanhado não segue em um plano nivelado;
 - b. O objeto acompanhado muda de forma drasticamente durante o movimento;
 - c. O objeto acompanhado pode ficar bloqueado ou fora de visão por um tempo longo;
 - d. Quando o objeto acompanhado está em área coberta de neve;
 - e. A iluminação está extremamente baixa (< 300 lux) ou alta (> 10.000 lux); e
 - f. O objeto acompanhado tem cor ou padrão semelhante ao ambiente ao redor.
2. Você deve seguir as leis e regulamentações locais de privacidade ao usar o ActiveTrack.

Conformidade com as regulamentações e as Zonas de Exclusão Aérea

Regulamentações

⚠️ ADVERTÊNCIA

Para evitar ferimentos graves e danos à propriedade, observe as seguintes regras:

1. NÃO opere nas proximidades de aeronaves tripuladas, independentemente da altitude. (Aterrissagem imediatamente, se necessário)
2. NÃO voe com a aeronave em áreas densamente povoadas, incluindo cidades, eventos esportivos, exposições, apresentações etc.
3. NÃO voe com a aeronave acima da altitude autorizada. Fique afastado e NÃO interfira nas operações de aeronaves tripuladas. Sempre esteja ciente de outras aeronaves e obstáculos e evite-os.

CUIDADO

Para evitar ferimentos graves e danos à propriedade, observe as seguintes regras:

1. NÃO voe com a aeronave perto ou dentro de Zonas de Exclusão Aérea especificadas pelas leis e regulamentações locais. A lista de Zonas de Exclusão Aérea inclui aeroportos, fronteiras entre dois países ou regiões soberanas, principais cidades/regiões etc. e é atualizada continuamente.
2. NÃO voe com a aeronave acima da altitude autorizada.
3. SEMPRE mantenha sua aeronave dentro da linha de visão (VLOS) e use um observador para ajudá-lo, se necessário.
4. NUNCA use a aeronave para transportar produtos/cargas ilegais ou perigosos.

ATENÇÃO

1. Certifique-se de compreender a natureza/o tipo da sua operação de voo (como recreação, uso público ou uso comercial) e obtenha a respectiva aprovação e liberação dos órgãos governamentais pertinentes antes do voo. Consulte as definições completas e os requisitos específicos junto às agências de regulamentação local. Para os usuários que operam a aeronave nos Estados Unidos, primeiro visite o site <http://www.knowbeforeyoufly.org/> e tome as medidas apropriadas para as suas circunstâncias.
2. Observe que a aeronave com controle remoto pode ser proibida de realizar atividades comerciais em determinados países e regiões. Verifique e siga todas as leis e determinações locais vigentes antes de voar, pois essas regras podem ser diferentes do que está declarado aqui.
3. NÃO voe ao redor de infraestruturas ou propriedades sensíveis, como estações de energia, estações de tratamento de água, centros de detenção, vias de tráfego intenso, instalações governamentais, zonas militares, etc.
4. Respeite a privacidade das outras pessoas ao usar a câmera. NÃO realize operações de vigilância, como a captura de imagens ou vídeos de qualquer pessoa, entidade, evento, apresentação, exibição e propriedade sem autorização ou onde haja uma expectativa de privacidade, mesmo se a imagem ou o vídeo for capturado para uso pessoal.
5. Esteja ciente de que, em algumas áreas, a gravação de imagens e vídeos de eventos, apresentações, exposições ou propriedades comerciais por meio de uma câmera pode infringir os direitos autorais ou outros direitos legais, mesmo se a imagem ou vídeo for gravado para uso pessoal.

Zonas de Exclusão Aérea

ATENÇÃO

A DJI sempre enfatiza a segurança durante o voo e, portanto, desenvolveu vários meios de auxílio ao usuário para cumprir as regras e regulamentações locais durante o voo. Recomendamos que você atualize o firmware para a versão mais recente para garantir que os recursos a seguir estejam totalmente atualizados:

Zonas de Exclusão Aérea

1. Zonas de Exclusão Aérea incluem, mas não estão limitadas a, os principais aeroportos em todo o mundo, fronteiras entre dois países ou regiões soberanas, principais cidades/regiões etc.
2. Uma lista completa de Zonas de Exclusão Aérea se encontra no site oficial da DJI, em <http://www.dji.com/fliesafe/no-fly> e está sujeita a atualizações periódicas de acordo com os requisitos regulamentares mais recentes sem aviso prévio.
3. Algumas Zonas de Exclusão Aérea são compostas de várias zonas. Cada zona apresenta círculos de vários tamanhos. A aeronave NÃO será capaz de decolar na zona mais interna das Zonas de Exclusão Aérea e irá descer até a altitude especificada quando se aproximar da borda da zona mais interna. A funcionalidade da estação terrestre é desativada quando a aeronave está em uma Zona de Exclusão Aérea.
4. Os usuários NÃO são capazes de configurar pontos de passagem dentro de Zonas de Exclusão Aérea.

Limite de altitude

1. NÃO voe em altitudes superiores a 120 metros (400 pés) acima do nível do chão e fique longe de quaisquer obstáculos circundantes. A altitude máxima de voo permitida por lei pode ser inferior de acordo com as suas leis e regulamentos locais. Por favor, siga rigorosamente todas as leis aplicáveis.
2. Se você pretende voar acima do limite de altitude padrão, será solicitado a aceitar o aviso de isenção de responsabilidade apresentado para ativar o novo limite de altitude. Se um novo limite de altitude for definido, você entende e concorda que os dados, incluindo, mas não limitado a dados de telemetria de voo e alterações de limite de altitude, possam ser carregados e mantidos em um servidor designado pela DJI.

Este conteúdo está sujeito a alterações.

Baixe a versão mais recente disponível em www.dji.com/matrice-200-series

MATRICE é uma marca comercial da DJI.
Copyright © 2017 Todos os direitos reservados.

Краткий обзор правил техники безопасности

1. Факторы окружающей среды

- Не выполняйте полеты там, где находятся здания и другие препятствия.
- ЗАПРЕЩАЕТСЯ выполнять полеты над большими скоплениями людей или в непосредственной близости от них.
- Избегайте полетов на высоте более 120 м (400 футов)*.
- Эксплуатация дрона допускается в умеренных погодных условиях при температурах от -20 до +45 °C (от -4 до 113 °F).
- Соблюдайте дополнительную осторожность при выполнении полетов внутри помещения, поскольку это может помешать обычной работе функций стабилизации дрона.
- НЕ ВЫПОЛНЯЙТЕ полеты при скорости ветра выше 10 м/с (22 мили/ч).



2. Перед полетом

- Убедитесь в том, что аккумуляторы пульта дистанционного управления и дрона полностью заряжены.
- Перед каждым полетом необходимо убедиться в том, что пропеллеры находятся в хорошем состоянии и надежно закреплены.
- Убедитесь в том, что ничто не препятствует работе двигателей.
- Объектив камеры должен быть чистым, на нем не должно быть пятен.
- Выполняйте калибровку компаса только при получении соответствующего запроса от приложения DJI GO™ 4 или при соответствующем сигнале светового индикатора.
- Изменения или модификации деталей дрона могут негативно повлиять на стабильность его работы. Строго следуйте официальным инструкциям DJI при установке совместимого внешнего оборудования и убедитесь, что общая масса дрона не превышает 6,14 кг после установки. Убедитесь, что внешнее оборудование установлено в правильное положение в соответствии с официальными инструкциями во избежание смещения центра тяжести дрона.

3. Эксплуатация

- Не приближайтесь к вращающимся пропеллерам и электродвигателям.
- Постоянно держите дрон в пределах видимости.
- Для включения функции остановки электродвигателей во время полета нажмите кнопку «возврата домой», одновременно перемещая левый джойстик в нижний внутренний угол, и удерживайте ее в течение 3 секунд. Для включения этой функции необходимо зайти в приложение DJI GO 4. Активируйте эту функцию только в чрезвычайной ситуации.
- ЗАПРЕЩАЕТСЯ отвечать на входящие звонки, использовать функции набора текста или любые другие функции мобильного устройства, которые могут отвлекать вас от управления дроном во время полета. ЗАПРЕЩАЕТСЯ выполнять полеты в состоянии алкогольного или наркотического опьянения.
- ЗАПРЕЩАЕТСЯ выполнять полеты на малой высоте от таких отражающих поверхностей, как вода или снег, поскольку они могут привести к нарушениям в работе системы обзора.
- В случае появления сигнала, предупреждающего о низком уровне заряда аккумулятора, немедленно осуществите посадку дрона в безопасном месте.
- Во время возврата в домашнюю точку вы можете регулировать высоту полета, чтобы избежать столкновения с препятствиями.
- После приземления сначала выключите двигатель, затем аккумулятор Intelligent Flight Battery, а затем пульт дистанционного управления.
- При использовании функций TapFly™ или ActiveTrack™ будьте готовы принять на себя управление дроном с помощью джойстиков. Обратите внимание, что дрон будет продолжать выполнение функций TapFly или ActiveTrack после отскока джойстиков. Нажмите кнопку STOP (СТОП) на экране, чтобы полностью прекратить выполнение функций.
- Несмотря на высокотехнологичность устройства пилоту нужно сохранять бдительность. Функции безопасности и помощи при полете, такие как обнаружение препятствий, точная посадка и система защиты при посадке помогают вам управлять дроном, а не заменяют необходимость управления. Условия окружающей среды, в том числе освещение и текстура препятствий, могут влиять на работу системы обзора.
- Установите высоту возврата домой, значение которой должно быть больше высоты окружающих препятствий, в приложении DJI GO 4.
- Система защиты при посадке (определяет, подходит ли место для посадки, на высоте 2 метра от земли) используется для оптимизации управления. Будьте бдительны, управляя дроном, т. к. система обзора может отключиться в определенных ситуациях (например, при тусклом освещении или нечетком рисунке поверхности препятствий) и не распознать поверхность.

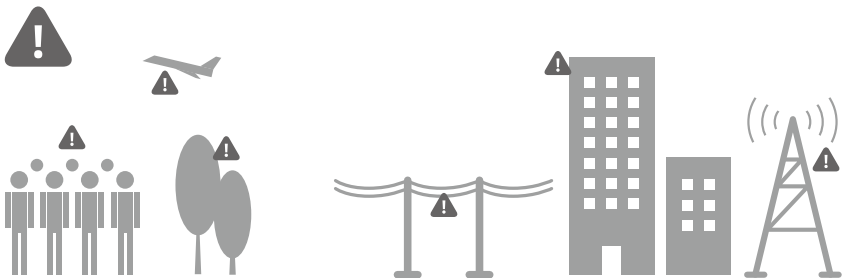
4. Обслуживание и содержание

- НЕ используйте старые, вышедшие или сломанные пропеллеры.
- Оптимальная температура хранения аккумулятора: от +22 до +30 °C (71–86 °F).
- Для получения дополнительных сведений о безопасном использовании аккумулятора см. руководство по технике безопасности аккумулятора Intelligent Flight Battery.

5. Соблюдайте местные законы

- ЗАПРЕЩАЕТСЯ выполнять полеты в зонах, запрещенных для полетов. Информацию о зонах, запрещенных для полетов, можно найти на веб-сайте <http://flysafe.dji.com/>. Запросите полный список зон, запрещенных для полетов, у местного агентства воздушного транспорта.
- Ограничения высоты полета могут различаться в разных юрисдикциях. НЕ поднимайте дрон выше максимальной разрешенной высоты, определенной местным законодательством и нормативно-правовыми актами.
- Избегайте полетов там, где спасательные команды активно используют воздушное пространство.

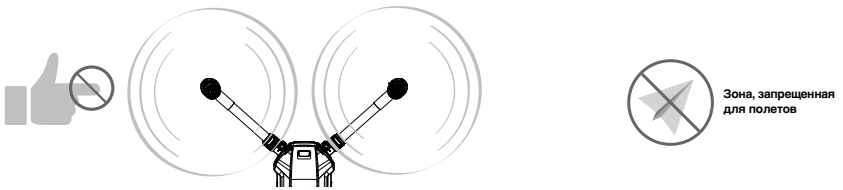
* Ограничения высоты полета могут различаться в разных юрисдикциях. НЕ поднимайте дрон выше максимальной разрешенной высоты, определенной местным законодательством и нормативно-правовыми актами.



Следует избегать полетов над скоплениями людей, деревьями или аэропортами или в непосредственной близости от них. Такие источники сильных электромагнитных полей, как линии электропередачи и базовые станции, могут повлиять на работу встроенного компаса. Рекомендуется использовать Matrice 210-RTK. Всегда наблюдайте за обстановкой во время полета.



ЗАПРЕЩАЕТСЯ использовать дрон в неблагоприятных погодных условиях, таких как дождь, снег, туман и при скорости ветра более 10 м/с или 22 миль/ч.



Не приближайтесь к вращающимся пропеллерам и электродвигателям.

Более подробная информация приведена на веб-сайте: <http://flightsafe.dji.com/no-fly>

ПРИМЕЧАНИЕ

SD DJI TECHNOLOGY CO., LTD (далее - DJI-) оставляет за собой право по своему усмотрению вносить изменения во все инструкции и другие сопутствующие документы. Для получения обновленной информации по продукту посетите веб-сайт <http://www.dji.com> и выберите соответствующую страницу.

Обозначения

Для определения различных уровней потенциальной опасности при использовании данного продукта в соответствующей документации применяются приведенные ниже термины.

ПРИМЕЧАНИЕ: операции, при некорректном выполнении которых создается угроза физического повреждения имущества и минимальная возможность получения травм.

ПРЕДОСТЕРЕЖЕНИЕ: операции, при некорректном выполнении которых создается угроза физического повреждения имущества и возможность получения серьезных травм.

ПРЕДУПРЕЖДЕНИЕ: операции, при некорректном выполнении которых создается угроза физического повреждения имущества, сопутствующего ущерба и тяжелых травм ИЛИ является большая вероятность серьезных телесных повреждений.



ПРЕДУПРЕЖДЕНИЕ

Перед началом эксплуатации прочтите руководство пользователя и ознакомьтесь с характеристиками

данного продукта. Пренебрежение инструкциями, содержащимися в руководстве пользователя, и несоблюдение мер безопасности может привести к серьезным травмам, повреждению продукта и другого имущества.

Данный продукт является сложным изделием. Использование изделия требует базовых механических навыков. Будьте внимательны и руководствуйтесь здравым смыслом при работе с устройством. Несоблюдение нижеизложенных инструкций по технике безопасности может привести к травме, повреждению дрона или другого имущества. Данный продукт не предназначен для детей. НЕ используйте несоместимые компоненты и не вносите изменения в конструкцию данного продукта тем или иным способом, не указанным в соответствующих документах, предоставляемых SD DJI TECHNOLOGY CO., LTD. Данное руководство по технике безопасности содержит инструкции по технике безопасности, эксплуатации и обслуживанию продукта. Для обеспечения безопасной эксплуатации и во избежание повреждений и серьезных травм до начала сборки, настройки или использования продукта важно ознакомиться со всеми инструкциями и предупреждениями в руководстве пользователя и соблюдать их.

ВОЗРАСТНЫЕ ОГРАНИЧЕНИЯ: НЕ ПРЕДНАЗНАЧЕНО ДЛЯ ДЕТЕЙ ИЛИ МЛАДШЕ 18 ЛЕТ. ПРОДУКТ НЕ ВЫЛЕТАЕТ ИЗ РУКОВОДЯ.

Перед полетом

1. Убедитесь в том, что вы используете оригинальные компоненты и они находятся в отличном состоянии.
2. Пульт дистанционного управления, аккумулятор Intelligent Flight Battery и мобильное устройство должны быть полностью заряжены.
3. Перед активацией стабилизатора убедитесь в том, что он свободно вращается, на объективе камеры нет посторонних объектов и карта памяти microSD вставлена в дрон.
4. Убедитесь в том, что протекторы и монтажные пластины надежно установлены на электродвигателях, а электродвигатели могут запуститься и работать в обычном режиме.
5. Для калибровки компаса следуйте инструкциям на экране.
6. Убедитесь в том, что приложение DJI GO 4 и прошивка дрона обновлены до последней версии.
7. Убедитесь в том, что предстоящий полет не будет проходить в зоне, ЗАПРЕЩЕННОЙ для полетов, а полетные условия соответствуют требованиям.
8. Запрещается выполнять полет, находясь под воздействием алкоголя, наркотиков или любого другого вещества, которое может ослабить ваши когнитивные способности.
9. Ознакомьтесь с выбранным режимом полета и тщательно изучите все функции системы безопасности и предупреждения.
10. Соблюдайте все местные нормативные акты, получите соответствующее разрешение и проанализируйте возможные риски. ПОМНИТЕ: на вас лежит полная ответственность за соблюдение требований всех применимых нормативных документов.
11. ПОСТОЯННО ДЕРЖИТЕ ДРОН В ПРЕДЕЛАХ ВИДИМОСТИ. При управлении дроном НЕ полагайтесь только на изображение камеры с видом от первого лица.

12. Запустите приложение DJI GO 4 и используйте им для помощи в управлении дроном. Если приложение DJI GO 4 не будет запрашивать полетные данные, в определенных ситуациях (включая потерю дрона) DJI™ не сможет оказать послепродажную поддержку или принять на себя ответственность.

Заявление об отказе от ответственности и предупреждение

Данный продукт НЕ является игрушкой и не предназначен для лиц младше 18 лет. Дрон должен храниться в местах, недоступных для детей. В присутствии детей полеты следует выполнять с особой осторожностью.

Несмотря на высокотехнологичность продукта его ненадлежащее использование может привести к травмам или повреждению имущества. Перед использованием ознакомьтесь с материалами, относящимися к работе продукта. Эти документы содержатся в комплекте поставки продукта, а также находятся на странице продукта DJI на сайте <http://www.dji.com>.

Информация, содержащаяся в этом документе, затрагивает вашу безопасность, законные права и обязанности. Внимательно ознакомьтесь с данным документом перед использованием продукта. Отказ от ознакомления и выполнения инструкций и предупреждений, содержащихся в этом документе, может стать причиной потери продукта, получения вами серьезных травм или повреждения вашего дрона.

Используя данный продукт, вы подтверждаете, что внимательно ознакомились с заявлением об отказе от ответственности и соглашаетесь выполнять правила и условия настоящего документа. КРОМЕ ЯВНОМ ОБРАЗОМ ПРЕДУСМОТРЕННОГО В ПРАВИЛАХ ПОСЛЕПРОДАЖНОГО ОБСЛУЖИВАНИЯ DJI ([HTTP://WWW.DJI.COM/SERVICE/POLICY](http://www.dji.com/service/policy)), ПРОДУКТ И ВСЕ ДОСТУПНЫЕ МАТЕРИАЛЫ ПРЕДОСТАВЛЕННЫ «КАК ЕСТЬ» И «В СУЩЕСТВУЮЩЕМ СОСТОЯНИИ» БЕЗ КАКИХ-ЛИБО ГАРАНТИЙ ИЛИ УСЛОВИЙ, ЯВНО ВЫРАЖЕННЫХ ИЛИ ПОДРАЗУМЕВАЕМЫХ. ЗА ИСКЛЮЧЕНИЕМ ГАРАНТИЙ, ЯВНОМ ОБРАЗОМ ПРЕДУСМОТРЕННЫХ В ПРАВИЛАХ ПОСЛЕПРОДАЖНОГО ОБСЛУЖИВАНИЯ DJI, КОМПАНИЯ DJI НЕ ПРЕДОСТАВЛЯЕТ НИКАКИХ ДРУГИХ ГАРАНТИЙ, ЯВНО ВЫРАЖЕННЫХ ИЛИ ПОДРАЗУМЕВАЕМЫХ, ОТНОСЯЩИХСЯ К ПРОДУКТУ, АКСЕССУАРАМ ПРОДУКТА И ВСЕМ МАТЕРИАЛАМ, ВКЛЮЧАЯ СЛЕДУЮЩЕЕ: (А) ЛЮБАЯ ПОДРАЗУМЕВАЕМАЯ ГАРАНТИЯ ОТНОСИТЕЛЬНО КОММЕРЧЕСКОЙ ПРИГОДНОСТИ, СООТВЕТСТВИЯ НАЗНАЧЕНИЮ, НАЗВАНИЯ, БЕСПРЕЯТВИТЕЛЬНОГО ПОЛЬЗОВАНИЯ, ОТСУТСТВИЯ НАРУШЕНИЙ ПРАВ ИНТЕЛЛЕКТУАЛЬНОЙ СОБСТВЕННОСТИ; И (Б) ЛЮБАЯ ГАРАНТИЯ, ВОЗНИКАЮЩАЯ В РЕЗУЛЬТАТЕ ЭКСПЛУАТАЦИИ, ДЕЛОВЫХ ОПЕРАЦИЙ ИЛИ КОММЕРЧЕСКОГО ИСПОЛЬЗОВАНИЯ. ЗА ИСКЛЮЧЕНИЕМ ГАРАНТИЙ, ЯВНОМ ОБРАЗОМ ПРЕДУСМОТРЕННЫХ В ОТРАЖЕННОЙ ГАРАНТИИ DJI, КОМПАНИЯ DJI НЕ ПРЕДОСТАВЛЯЕТ НИКАКИХ ДРУГИХ ГАРАНТИЙ, ЧТО ПРОДУКТ, АКСЕССУАРЫ ПРОДУКТА, ЛЮБАЯ ЧАСТЬ ПРОДУКТА ИЛИ ЛЮБЫЕ МАТЕРИАЛЫ БУДУТ ПОСТОЯННО И БЕЗОПАСНО РАБОТАТЬ, НЕ БУДУТ СОДЕРЖАТЬ НЕИСПРАВНОСТЕЙ, ВЫРУСОВ ИЛИ ДРУГИХ ВРЕДНЫХ КОМПОНЕНТОВ, А ТАКЖЕ НЕ ПРЕДОСТАВЛЯТ ГАРАНТИЙ ТОГО, ЧТО ЛЮБАЯ ИЗ ЭТИХ ПРОБЛЕМ БУДЕТ ИСПРАВЛЕНА.

НИКАКИЕ РЕКОМЕНДАЦИИ И ИНФОРМАЦИЯ, В УСТНОЙ ИЛИ ПИСЬМЕННОЙ ФОРМЕ, ПОЛУЧЕННЫЕ ВАМИ ПРИ ИСПОЛЬЗОВАНИИ ПРОДУКТА, АКСЕССУАРОВ ПРОДУКТА ИЛИ ЛЮБЫХ МАТЕРИАЛОВ, НЕ ЯВЛЯЮТСЯ ОСНОВАНИЕМ ПРЕДОСТАВЛЕНИЯ ГАРАНТИИ, ОТНОСЯЩЕЙСЯ К DJI ИЛИ ПРОДУКТУ, ЗА ИСКЛЮЧЕНИЕМ ГАРАНТИЙ, ЯВНОМ ОБРАЗОМ ПРЕДУСМОТРЕННЫХ В ЭТИХ УСЛОВИЯХ. ВЫ ПРИНИМАЕТЕ НА СЕБЯ ВСЮ ОТВЕТСТВЕННОСТЬ ЗА ЛЮБЫЕ ПОВРЕЖДЕНИЯ, КОТОРЫЕ МОГУТ ВОЗНИКНУТЬ В РЕЗУЛЬТАТЕ ИСПОЛЬЗОВАНИЯ ПРОДУКТА, АКСЕССУАРОВ ПРОДУКТА ИЛИ ЛЮБЫХ МАТЕРИАЛОВ ИЛИ ВАШЕГО ДОСТУПА К НИМ. ВЫ ПОНИМАЕТЕ И СОГЛАШАЕТЕСЬ, ЧТО ИСПОЛЬЗОВАТЬ ПРОДУКТ ПО ВАШЕМУ СОБСТВЕННОМУ УСМОТРЕНИЮ И НА ВАШ РИСК И ЧТО ВЫ САМОСТЕЛЬНО НЕСЕТЕ ОТВЕТСТВЕННОСТЬ ЗА ЛЮБЫЕ ТРАВМЫ, СМЕРТЬ, УЩЕРБ ВАШЕМУ ИМУЩЕСТВУ (ВКЛЮЧАЯ КОМПЬЮТЕРНУЮ СИСТЕМУ, МОБИЛЬНОЕ УСТРОЙСТВО ИЛИ АППАРАТНОЕ ОБЕСПЕЧЕНИЕ DJI, ПОДКЛЮЧАЕМЫЕ К ПРОДУКТУ) ИЛИ ИМУЩЕСТВУ ТРЕТЬИХ ЛИЦ, И ЗА ПОТЕРЮ ДАННЫХ, ПРОИЗОШЕДШИЕ В РЕЗУЛЬТАТЕ ИСПОЛЬЗОВАНИЯ ВАМИ ИЛИ НЕВОЗМОЖНОСТИ ИСПОЛЬЗОВАНИЯ ВАМИ ПРОДУКТА.

НЕКОТОРЫЕ ЮРИСДИКЦИИ МОГУТ ИСКЛЮЧАТЬ ОТКАЗ ОТ ОТВЕТСТВЕННОСТИ, И ВЫ МОЖЕТЕ ИМЕТЬ ДРУГИЕ ПРАВА, В ЗАВИСИМОСТИ ОТ КОНКРЕТНОЙ ЮРИСДИКЦИИ.

DJI не несет ответственность за повреждения, травмы или любую юридическую ответственность, прямо или косвенно вызванную использованием данного продукта. На пользователя возлагается обязанность соблюдать правила техники безопасности и законодательство, включая, но не ограничиваясь изложенными в настоящем руководстве по технике безопасности.

Хранение и использование данных

При использовании нашего мобильного приложения, наших продуктов или другого программного обеспечения, данные телеметрии полета (например, скорость, высота, состояние аккумулятора, информация о стабилизаторе и камере) и эксплуатационные записи могут быть предоставлены DJI. Внутреннее запоминающее устройство дрона сохраняет разные типы данных, включая полетную телеметрию. Вы также можете самостоятельно передать нам полетную телеметрию и другие данные из внутреннего запоминающего устройства. Более подробная информация приведена в политике конфиденциальности DJI (<http://www.dji.com/policy>).

Перед началом эксплуатации

Данный продукт представляет собой дрон, который легко использовать, если он находится в хорошем рабочем состоянии (описано ниже). Посетите сайт <http://www.dji.com> для ознакомления с самыми свежими инструкциями и предупреждениями и сайт <http://knowbeforeyoufly.org/> для получения более подробной информации о безопасности полетов и соответствии требованиям.

Данные документы были разработаны с целью помочь вам безопасно эксплуатировать и в полном объеме использовать ваш дрон.

Комплект поставки

Заявление об отказе от ответственности и руководства по технике безопасности

Руководство по технике безопасности аккумулятора Intelligent Flight Battery

Краткое руководство пользователя

Руководство пользователя

Перед выполнением полета проверьте наличие всех компонентов по списку «Комплект поставки» и изучите инструкцию по технике безопасности и заявление об отказе от ответственности. Подготовьтесь к первому полету с помощью краткого руководства пользователя и обучающих видеороликов на официальном веб-сайте DJI (<http://www.dji.com>). При возникновении вопросов обратитесь к руководству пользователя в приложении или посетите официальный веб-сайт DJI для получения более подробной информации. Перед началом каждого полета убедитесь в том, что вы полностью понимаете назначение каждого компонента, полетные требования, работу основных функций и систем предупреждения о нештатных ситуациях и все применимые нормативные акты. Если у вас возникли вопросы во время сборки, обслуживания или эксплуатации данного продукта, свяжитесь с компанией DJI или ее уполномоченным представителем.

Отдельные компоненты

Оригинальные и рабочие компоненты

⚠️ ПРЕДУПРЕЖДЕНИЕ

Соблюдение следующих правил поможет вам избежать неисправностей, серьезных травм и причинения ущерба имуществу:

1. Используйте только оригинальные или сертифицированные DJI компоненты. Компоненты сторонних и не сертифицированных компаний DJI производителей могут вызвать неисправности системы и угрозу безопасности.
2. Убедитесь в том, что внутри дрона или его компонентов нет посторонних объектов (таких как вода, масло, грязь, песок и т. д.).
3. Убедитесь в том, что дрон и его компоненты, включая (но не ограничиваясь этим) дистанционное управление, камеру, стабилизатор, компас, силовую установку и аккумулятор, находятся в хорошем рабочем состоянии, не имеют повреждений и нормально работают. Более подробную информацию о работе данных компонентов см. в соответствующих разделах этого документа.
4. НЕ модифицируйте и НЕ изменяйте дрон, его компоненты и части. Несанкционированная модификация может привести к неисправностям и повлиять на безопасную и надежную работу дрона.

Пульт дистанционного управления

ПРИМЕЧАНИЕ

1. Перед полетом убедитесь в том, что пульт дистанционного управления полностью заряжен.
2. Если пульт дистанционного управления включен и не используется 5 минут, он издает предупреждающий звуковой сигнал. По истечении 6 минут он выключится автоматически. Для отключения предупреждающего сигнала переведите двойстики или выполните какое-либо другое действие.
3. Отрегулируйте зажим держателя мобильного устройства для обеспечения его надежного крепления.
4. Убедитесь в том, что держатель мобильного устройства надежно закреплен и не скользит.
5. Убедитесь, что антенны дистанционного управления выдвинуты

и выставлены в положение, необходимое для достижения оптимального качества передачи.

6. В случае повреждения отремонтируйте или замените пульт дистанционного управления. Поврежденная антенна пульта дистанционного управления значительно снижает производительность.
7. Если вы хотите заменить пульт дистанционного управления или приемник или добавить новый пульт, необходимо выполнить подключение к дрону. Подробно информацию см. в руководстве пользователя.
8. Сначала необходимо выключить дрон (когда это безопасно), затем выключить пульт дистанционного управления. В противном случае может произойти потеря управления дроном.
9. Полностью заряжайте аккумулятор, по меньшей мере, один раз в три месяца для поддержания его в хорошем рабочем состоянии.

Компас

ПРЕДУПРЕЖДЕНИЕ

Соблюдение следующего правила поможет вам избежать серьезных травм и причинения вреда собственности. Немедленно посадите дрон при очевидном отклонении курса в полете, т. е. если дрон НЕ летит по прямой линии.

ПРИМЕЧАНИЕ

Выполняйте калибровку компаса только при получении соответствующего запроса от приложения DJI GO 4 или при соответствующем сигнале светового индикатора. При калибровке компаса следуйте приведенным ниже инструкциям:

1. НЕ калибруйте компас, если имеется вероятность сильных магнитных помех. Источниками подобных помех могут быть магнитный железняк, конструкции для парковки и подземные металлические конструкции.
2. НЕ берите с собой ферромагнитные материалы, такие как сотовые телефоны, при выполнении калибровки.
3. Приложение DJI GO 4 сообщает вам о неполадках в работе компаса и о необходимости их устранения в случае воздействия сильных электромагнитных помех после калибровки. Для устранения неполадок компаса следуйте инструкциям на экране.

Силовая установка

⚠️ ПРЕДУПРЕЖДЕНИЕ

Соблюдение следующих правил поможет вам избежать причинения серьезных травм себе и окружающим.

Пропеллеры

1. НЕ пользуйтесь старыми, потрескавшимися или сломанными пропеллерами.
2. Всегда выключайте дрон перед тем, как прикасаться к пропеллерам.
3. При монтаже и демонтаже пропеллеров соблюдайте осторожность, т. к. они имеют острые края. Для работы с пропеллерами пользуйтесь перчатками или другими защитными средствами.
4. Если необходимо, для снятия или установки пропеллеров применяйте инструменты (например, гаечный ключ, отвертку, плоскогубцы и т. д.).
5. Пропеллеры должны быть надежно закреплены на электродвигателе, иначе они могут отсоединиться.
6. НЕ включайте электродвигатели во время установки пропеллеров или если рядом находятся люди или животные.
7. Использование пропеллеров сторонних производителей может нарушить аэродинамику дрона. Для надежного и безопасного выполнения полета рекомендуется использовать только оригинальные пропеллеры DJI.
8. Протрите пропеллеры насухо перед каждым полетом при окружающей температуре около 0 °C (32 °F) во избежание образования инея на пропеллерах.

Электродвигатели

1. Убедитесь в том, что пропеллеры надежно закреплены и легко вращаются.
2. НЕ пытайтесь вносить изменения в конструкцию двигателей.
3. НЕ прикасайтесь к двигателю после выполнения полета, так как они могут быть горячими.

ПРЕДУПРЕЖДЕНИЕ

Соблюдение следующих правил поможет вам избежать серьезных травм и повреждения имущества:

1. НЕ закрывайте вентиляционные отверстия двигателей.
2. НЕ закрывайте вентиляционные отверстия на раме дрона.

ПРИМЕЧАНИЕ

Электродвигатели

1. Очищайте двигатели от пыли.

2. Если двигатель заклинило и он не может свободно вращаться, немедленно остановите его с помощью комбинированной команды джойстиков.

Электронные регуляторы скорости

Убедитесь в том, что при включении питания электронные регуляторы скорости издают нормальный звук.

Приложение DJI GO 4

ПРИМЕЧАНИЕ

1. Перед запуском приложения полностью зарядите ваш планшет или мобильное устройство.
2. При использовании приложения DJI GO 4 требуется мобильное соединение. Свяжитесь с вашим оператором беспроводной связи для получения информации об оплате связи.
3. Если в качестве портативного дисплея используется телефон, убедитесь в возможности безопасного продолжения полета при поступлении входящего вызова. ЗАПРЕЩАЕТСЯ отвечать на входящие вызовы во время выполнения полета.
4. Внимательно ознакомьтесь со всей информацией по технике безопасности, предупреждающими сообщениями и заявлениям об отказе от ответственности. Ознакомьтесь с соответствующим местным законодательством. На вас лежит единоличная ответственность за ознакомление с применимым законодательством и выполнение полетов в соответствии с ним.
 - a. Изучите предупреждающие сообщения перед использованием функций автоматического взлета и посадки.
 - б. Изучите предупреждающие сообщения перед установкой новой домашней точки.
 - в. Изучите предупреждающие сообщения и заявление об отказе от ответственности перед установкой высоты, превышающей ограничение.
 - г. Прочтите и усвойте предупреждающие сообщения и заявление об отказе от ответственности перед тем, как менять режимы полета.
5. При появлении аварийного сигнала на экране приложения немедленно посадите дрон в безопасном месте.
6. Перед каждым полетом читайте и проверяйте все предупреждающие сообщения из списка приложений.
7. Если вы никогда не управляли дроном или НЕ имеете достаточно опыта в управлении, воспользуйтесь встроенным в приложение симулятором для выработки полетных навыков.
8. Перед каждым полетом копируйте из Интернета в память устройства карту местности, где будет проходить полет.
9. Приложение помогает вам управлять дроном. НЕ доверяйте контроль управления приложению и управляйте дроном с разумной осторожностью.
10. Приложением необходимо пользоваться в соответствии с Условиями использования приложения DJI GO 4 и Политикой конфиденциальности DJI. Внимательно ознакомьтесь с их содержанием в приложении.

Прошивка

⚠ ПРЕДУПРЕЖДЕНИЕ

Соблюдение следующего правила позволит вам избежать нанесения серьезных травм детям и животным: Во время обновления прошивки, калибровки системы и установки параметров дети и животные должны находиться на безопасном расстоянии.

ПРИМЕЧАНИЕ

1. В целях безопасности всегда обновляйте прошивку до последней версии при появлении соответствующего уведомления в приложении DJI GO 4.
2. Приложение уведомит о наличии обновления прошивки. Вам потребуется тщательно изучить информацию ниже. Вы ознакомились и соглашаетесь в дальнейшем с тем, что данные, включая (но не ограничиваясь этим) полную телеметрию и записи полета, могут быть загружены и сохранены на выделенном сервере DJI.
3. После обновления прошивки дрона обновите прошивку пульта дистанционного управления.
4. После обновления прошивки связь пульта дистанционного управления с дроном может быть нарушена. Повторно выполните подключение пульта дистанционного управления к дрону.
5. Перед началом обновления прошивки проверьте все соединения и демонтируйте пропеллеры с электродвигателей.

Камера (дополнительно)

⚠ ПРЕДУПРЕЖДЕНИЕ

Соблюдение следующего правила поможет вам избежать серьезных травм и причинения вреда собственности. НЕ закрывайте вентиляционные отверстия камеры, т. к. генерируемое ей тепло может обжечь вас и повредить устройство.

ПРИМЕЧАНИЕ

1. Перед использованием проверьте настройки камеры так, чтобы вы могли отрегулировать их по желанию.
2. Перед съемкой важных кадров или видеороликов сделайте несколько тестовых снимков для проверки работы камеры.
3. Перед извлечением карты памяти microSD выключите дрон.
4. При выключенном аккумуляторе Intelligent Flight Battery передача или копирование фотографий или видео с дрона невозможны.
5. Отключение аккумулятора Intelligent Flight Battery должно производиться корректно, иначе параметры камеры НЕ будут сохранены, а записанные видеоролики могут быть повреждены.
6. Независимо от причины компания DJI не несет ответственности за нечитаемость фотографий или видеороликов, записанных способом, который привел к невозможности аппаратного считывания.

Стабилизатор (дополнительно)

ПРИМЕЧАНИЕ

1. В результате столкновения или удара прецизионные элементы стабилизатора могут получить повреждения, что может привести к его некорректной работе.
2. НЕ подвергайте стабилизатор внешнему воздействию после подключения к нему питания.
3. НЕ крепите дополнительные грузы к стабилизатору, так как это может привести к его некорректной работе и даже поломке электродвигателя.
4. Стабилизатор и его разъем очень хрупкие. С разъемом стабилизатора следует обращаться с особой осторожностью и НЕ прикасаться к нему, так как любое повреждение может привести к его некорректной работе.
5. Крепко удерживайте стабилизатор при его монтаже и демонтаже во избежание падения.
6. НЕ подсоединяйте и не снимайте стабилизатор при включении дрона.
7. Одиночные и двойные стабилизаторы должны использоваться по отдельности.
8. При использовании одного стабилизатора, направленного вверх, или двух стабилизаторов, направленных вниз, строго следуйте инструкциям руководства пользователя для правильной установки стабилизаторов камеры, иначе может произойти сбой в передаче изображений.

Уход за продуктом

Хранение и транспортировка

⚠ ПРЕДУПРЕЖДЕНИЕ

Соблюдение следующего правила позволит вам избежать нанесения серьезных травм детям и животным. Мелкие компоненты, такие как кабели и ремни, представляют опасность при проглатывании. Храните все компоненты в местах, недоступных для детей и животных.

ПРИМЕЧАНИЕ

1. Храните аккумулятор Intelligent Flight Battery и пульт дистанционного управления в прохладном сухом месте, не подвергаяйте их воздействию прямых солнечных лучей во избежание перегрева встроенного литий-полимерного аккумулятора. Рекомендуемая температура хранения на период более трех месяцев: от +22 до +30 °C (71–86 °F). Запрещается хранение при температурах за пределами диапазона -20...+45 °C (-4°–113 °F).
2. НЕ допускайте контакта камеры с водой или ее погружения в воду или другие жидкости. Если камера намочилась, вытрите ее насухо мягкой гигроскопичной тканью. Включение дрона, упавшего в воду, может привести к необратимым повреждениям. Для очистки или обслуживания камеры ЗАПРЕЩАЕТСЯ использовать жидкости, содержащие спирт, бензин, растворители или другие горючие вещества. НЕ храните камеру во влажных или загрязненных местах.
3. Для хранения в течение длительного периода времени или транспортировки на большие расстояния отсоедините стабилизатор от дрона.
4. НЕ подключайте данный продукт к разъемам USB версий старше 2.0. НЕ подключайте данный продукт к зарядным устройствам USB или аналогичным устройствам.

Обслуживание и содержание

ПРИМЕЧАНИЕ

1. Свяжитесь с рекомендованным DJI сервисным центром для проведения проверки продукта или ремонта после падения или сильного удара. Управление поврежденным дроном представляет опасность и может стать причиной получения травм или повреждения имущества.
2. Аккумулятор можно хранить в течение трех месяцев, если его заряд остается на уровне 40–65%. Полностью заряжайте и разряжайте

аккумулятор по меньшей мере один раз в три месяца для поддержания его в хорошем рабочем состоянии.

3. Рекомендуется проводить техническое обслуживание после каждых 50 часов полета для безопасной и надежной работы.

Требования к условиям полета

Погодные условия и окружающая среда

⚠ ПРЕДУПРЕЖДЕНИЕ

Данный дрон предназначен для работы при хороших и умеренных погодных условиях. Соблюдение следующих правил поможет вам избежать столкновений, серьезных травм и причинения ущерба имуществу:

1. НЕ используйте дрон в неблагоприятных погодных условиях. К ним относятся: ветер свыше 10 м/с, снег, дождь, смог, сильный ветер, град, гроза, торнадо или ураганы.
2. Расстояние от дрона до препятствий, людей, животных, строений, общественной инфраструктуры, деревьев и водоемов во время полета должно быть не менее 10 метров (30 футов). По мере увеличения высоты полета расстояние до упомянутых выше препятствий должно увеличиваться.
3. С ОСОБОЙ осторожностью выполняйте полеты внутри помещения. Это может повлиять на работу некоторых функций, в частности на функцию стабилизации.
4. При полетах внутри помещения включите систему обзора. Обратите внимание, что система обзора может НЕ работать должным образом при выполнении полетов над водой, поверхностями без четкого рисунка или при слабом освещении.

⚠ ПРЕДУПРЕЖДЕНИЕ

1. Эксплуатационные характеристики дрона и аккумулятора зависят от условий окружающей среды, например плотности воздуха и температуры.
 - a. ЗАПРЕЩАЕТСЯ эксплуатация дрона при температуре за пределами диапазона от -20 до +45 °C (от -4 до 113 °F).
2. НЕ используйте дрон в местах, где произошли аварии, пожары, взрывы, наводнения, цунами, снежные лавины, оползни, землетрясения, пыльные или песчаные бури.

Помехи систем связи

⚠ ПРЕДУПРЕЖДЕНИЕ

1. Проверяйте детали дрона на предмет ударов и поломок. При необходимости свяжитесь со службой поддержки DJI или авторизованным дилером.
2. Выполняйте полеты на открытых участках. Высокие здания и крупные металлические конструкции могут повлиять на точность бортового компаса и стабильность сигнала спутников.
3. Избегайте появления помех между пультом дистанционного управления и другим беспроводным оборудованием. Отключите Wi-Fi на вашем мобильном устройстве.
4. Сохраняйте бдительность при выполнении полета вблизи мест, где наблюдаются магнитные или радиочастотные помехи; в таких условиях рекомендуется использовать M210-RTK. К таким местам относятся (но не ограничиваются ими) высоковольтные линии электропередачи, промышленные станции электропередачи и передающие вышки. Нарушение этого пункта может снизить качество передачи сигнала или привести к ошибкам в работе пульта дистанционного управления и проблемам трансляции видео, что может негативно повлиять на ориентацию в полете и точность позиционирования. В районах с очень сильными помехами дрон может вести себя некорректно или полностью выйти из-под контроля.

Ответственное управление дроном

⚠ ПРЕДУПРЕЖДЕНИЕ

Соблюдение следующих правил поможет вам избежать серьезных травм и причинения ущерба имуществу:

1. НЕ управляйте дроном в состоянии алкогольного или наркотического опьянения, под воздействием анестезии, при головокружении, тошноте или других физических или психических расстройствах, которые могут повлиять на вашу способность управлять летательным аппаратом.
2. Одновременный перевод левого джойстика в нижний внутренний угол и нажатие кнопки возврата домой остановит электродвигатель во время полета. Функция приземления не будет активирована. НЕ выполняйте указанную выше комбинированную команду за исключением аварийных ситуаций. Эта функция выключена по умолчанию. Данную комбинированную команду можно включить через приложение DJI GO 4.
3. После приземления сначала выключите дрон, а затем пульт дистанционного управления.
4. НЕ скидывайте, не запускайте, не забрасывайте опасные грузы

по направлению к зданиям, людям или животным — это может привести к травмированию живых существ или причинению вреда имуществу.

5. ЗАПРЕЩАЕТСЯ использовать дрон, который разбился или подвергся ударному воздействию, или находится в ненадлежащем состоянии.

ПРИМЕЧАНИЕ

1. Вы должны иметь достаточную подготовку и знать планы действия в нештатных ситуациях до того, как произойдет несчастный случай.
2. У вас должен быть план полета. Никогда не выполняйте полет опрометчиво.
3. При использовании камеры уважайте конфиденциальность других людей. Ваши действия должны соответствовать местным законам о конфиденциальности и нормам и стандартам морали.
4. Данный продукт предназначен только для DJI-FLYCO использования. ЗАПРЕЩАЕТСЯ использовать его в противозаконных или неуместных целях (шпионаж, военные операции или незаконные расследования).
5. ЗАПРЕЩАЕТСЯ использовать данный продукт для клеветы, оскорбления, домогательства, угрозы или других действий, нарушающих права других людей (право на конфиденциальность и публичность).
6. НЕ нарушайте границы частной собственности других людей.

Режимы полета, функции и предупреждения

Режимы полета

⚠ ПРЕДУПРЕЖДЕНИЕ

Соблюдение следующих правил поможет вам избежать серьезных травм и причинения вреда имуществу.

НЕ переключайтесь из режима P в режим A или S, если вы недостаточно ознакомлены с работой дрона в этих режимах, так как отключение спутников может сделать невозможной безопасную посадку.

ПРИМЕЧАНИЕ

Режим P или режим S является предпочтительным для большинства полетных сценариев. Пользователь может переключиться на режим A, если режим P или режим S недоступен. При полете в режиме A соблюдайте особую осторожность, поскольку в этом режиме некоторые функции недоступны. При выполнении полетов внутри помещения дрон не может производить точное зависание над поверхностями, которые не имеют четкого рисунка. Для получения полной информации по выполнению полетов внутри помещения см. раздел «Система обзора и система инфракрасных датчиков».

1. **Режим P (Позиционирование):** режим P лучше всего использовать при наличии стабильного сигнала спутников. Дрон использует сигнал спутников и систему обзора для автоматической стабилизации, навигации между препятствиями и следования за движущимся объектом. В этом режиме активны такие расширенные функции, как TapFly и ActiveTrack.
 2. **Режим S (Спортивный):** настройки полетного контроллера в режиме S идентичны настройкам в режиме P. Однако в этом режиме дрон послушнее, что обеспечивает повышенную маневренность. Максимальная скорость полета дрона в этом режиме увеличивается.
 3. **Режим A (Ручной):** если недоступен ни сигнал спутников, ни система обзора, для позиционирования с целью регулировки высоты дрон будет задействована только барометр.
- Если вы хотите перейти на режимы, обеспечивающие поддержку спутников (например, режим A), вам потребуется принять заявление об отказе от ответственности для активации этой функции. Если данная функция активирована, это означает, что вы ознакомились и соглашаетесь в дальнейшем с тем, что данные, включая (но не ограничиваясь этим) полетную телеметрию и записи функции, могут быть загружены и сохранены на выделенном сервере DJI.

Аварийный режим и возвращение в домашнюю точку

ПРИМЕЧАНИЕ

1. Функция возврата домой НЕ работает при отключенном или слабом сигнале спутников (значение индикатора сигнала спутников — менее трех делений).
2. Вместо выключения пульта дистанционного управления для запуска процесса возврата домой нажмите кнопку «возврата домой» на пульте дистанционного управления.
3. Высокие здания могут помешать работе аварийного режима. Для облета препятствий при возвращении в домашнюю точку настройте местоположение дрона, высоту и скорость. Дрон прекращает подъем и немедленно возвращается в домашнюю точку при перемещении левого джойстика, если достиг высоты 20 метров (65 футов) или более в режиме сохранения.
4. Управление дроном должно проходить в пределах дальности передачи сигнала пульта дистанционного управления.

- Функции аварийного режима и возврата домой следует использовать только в нештатных ситуациях. Эти функции подвержены воздействию погодных условий, окружающей среды и магнитных полей.
- Во время возврата в домашнюю точку в аварийном режиме дрон не может облетать препятствия при плохой освещенности или неработающей системе обзора. Поэтому перед каждым полетом важно установить соответствующую высоту возврата домой в аварийном режиме.
- Если позволяет заряд аккумулятора, дрон может сначала вернуться к точке потери связи с пультом дистанционного управления во время возврата домой в аварийном режиме. В результате, может возникнуть ситуация, когда дрон сначала улетает от вас, а потом возвращается в домашнюю точку.

Низкий уровень заряда аккумулятора

ПРИМЕЧАНИЕ

- Когда появляется предупреждение о критически низком уровне заряда аккумулятора и дрон начинает автоматическую посадку, можно сдвинуть джойстик тяги вверх, чтобы дрон завис на текущей высоте, и направить его в более подходящее для посадки место.
- Когда активируется предупреждение о низком уровне заряда аккумулятора, быстро верните дрон в домашнюю точку или посадите его, чтобы не потерять энергию во время полета, не повредить аппарат и не причинить вред имуществу, животным и людям.

Система D-RTK (для M210-RTK)

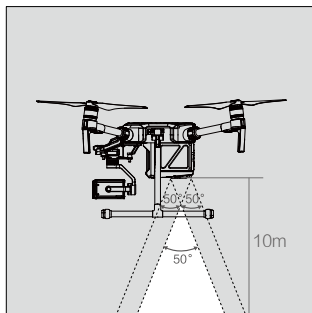
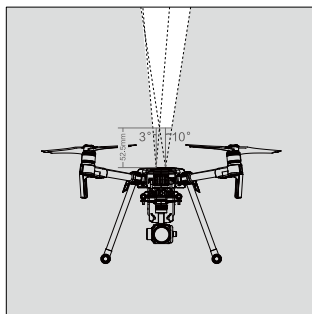
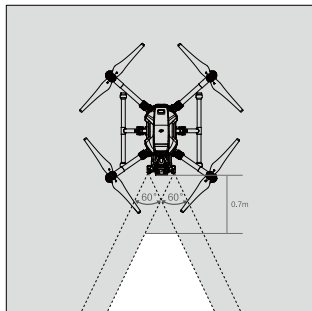
ПРИМЕЧАНИЕ

- Используйте только оригинальные или сертифицированные DJI компоненты. Компоненты сторонних и не сертифицированных компаний DJI производитель могут вызвать неисправности системы и создать угрозу безопасности.
- Используйте устройство на открытой местности, свободной от помех. Антенны должны находиться на одной высоте и НЕ ПРЕПЯТСТВОВАТЬ работе друг друга при использовании устройства.
- Избегайте чрезмерного сгибания кабеля антенны.
- Убедитесь, что на D-RTK™ и его компонентах отсутствуют загрязнения (например, вода, масло, почва и песок).

Система обзора и система инфракрасных датчиков

ПРИМЕЧАНИЕ

- Система обзора не может работать корректно над поверхностями БЕЗ четких контуров. Система обзора эффективна только при полете на высоте от 0,3 до 10 метров.
- Система обзора может работать неправильно при полете дрона над водой.
- При работе системы обзора необходимо, чтобы домашние животные находились на расстоянии от дрона, так как ее датчики издают звуки высокой частоты, которые могут восприниматься некоторыми животными.
- Управляйте дроном с осторожностью в следующих случаях:
 - При полете над одноцветной поверхностью (например, над поверхностью чисто черного, чисто белого, чисто красного, чисто зеленого цвета).
 - При полете над поверхностями с высокими отражающими свойствами.
 - При полете на высоких скоростях (свыше 14 м/с при высоте полета 2 метра, или свыше 5 м/с при высоте полета 1 м).
 - При полете над водой или прозрачными поверхностями.
 - При полете над движущимися поверхностями или объектами.
 - При полете в местах с частым или резким изменением освещения.
 - При полете над крайне темными (менее 15 люкс) или крайне яркими (более 10 000 люкс) поверхностями.
 - При полете над поверхностями, способными поглощать звуковые волны (например, плотный ковер).
 - При полете над поверхностями, не имеющими четких контуров или текстуры.
 - При полете над поверхностями с повторяющимися одинаковыми контурами или текстурами (например, однотонная плитка).
 - При полете над наклонными поверхностями, отражающими звуковые волны в сторону от дрона.
 - При полете над небольшими препятствиями (с меньшей способностью к отражению инфракрасного излучения).
- При полете в режиме Р, в случае потери сигнала от пульта дистанционного управления и слабым сигнале GPS, если дрон не может определить домашнюю точку, он зависнет на месте на 8 секунд и затем совершит посадку в автоматическом режиме.
- В случае аварии дрона требуется калибровка системы обзора. Выполните калибровку системы обзора, если этого требует приложение DJI GO 4.
- Принимайте во внимание мертвые зоны (обозначены серым) систем обзора и инфракрасных датчиков.



Система нижнего обзора используется только для регулировки.

- Во время работы системы обзора не используйте ультразвуковые устройства с частотой 40 кГц или более/менее. Следует постоянно следить за чистой датчиков. НЕ меняйте настройки датчиков.
- Системы обзора и инфракрасных датчиков не могут затормозить и остановить дрон на безопасном расстоянии от препятствия, если скорость дрона превышает 14 м/с (31,3 миля/ч).

Функция TapFly

ПРЕДОСТЕРЕЖЕНИЕ

Соблюдение следующих правил поможет вам избежать серьезных травм и причинения ущерба имуществу:

- НЕ направляйте дрон в сторону людей, животных, мелких и тонких объектов (например, ветви деревьев и линии электропередач) или прозрачных объектов (например, стекло или поверхность воды).
- Остерегайтесь потенциальных препятствий в области полета.

- (особенно сзади, слева и справа от дрона) и держитесь на расстоянии от них во избежание несчастных случаев.
3. Будьте готовы принять на себя управление дроном, нажимая на джойстики пульта управления, или нажмите кнопку STOP (СТОП) на пульт дистанционного управления или на экране для выхода из режима TarFly в случае чрезвычайной ситуации.

ПРИМЕЧАНИЕ

1. Возможны некоторые отклонения между ожидаемой и фактической траекторией полета по выбору TarFly.
2. Диапазон выбора на экран ограничен. В TarFly невозможно выбрать цель, если она расположена близко к верхнему или нижнему краю экрана.
3. Режим TarFly не функционирует должным образом, если дрон летит над поверхностью воды или покрытой снегом поверхностью.
4. Будьте особенно осторожны при полете в условиях сильной туманности (< 300 люкс) или чрезмерно яркого освещения (> 10 000 люкс).

Функция ActiveTrack

- Соблюдение следующих правил поможет вам избежать серьезных травм и причинения вреда имуществу:
1. Убедитесь в отсутствии людей и животных, а также маленьких и тонких предметов (например, ветвей деревьев и линий электропередач) или прозрачных объектов (например, стекла и воды) на пути дрона.
 2. Остерегайтесь потенциальных препятствий в области полета (особенно сзади, слева и справа от дрона) и держитесь на расстоянии от них во избежание несчастных случаев.
 3. Будьте готовы принять на себя управление дроном, нажимая на джойстики пульта управления, или нажмите кнопку STOP (СТОП) на пульт дистанционного управления или на экране для выхода из режима ActiveTrack в случае чрезвычайной ситуации.

ПРИМЕЧАНИЕ

1. В следующих ситуациях будьте особенно внимательны при использовании ActiveTrack:
 - а. Отслеживаемый объект движется не на плоскости.
 - б. Отслеживаемый объект в процессе передвижения значительно меняет форму.
 - в. Отслеживаемый объект в течение длительного времени может быть недоступен для обзора.
 - г. Отслеживаемый объект находится в заснеженной области.
 - д. Освещенность очень низкая (< 300 люкс) или очень высокая (> 10 000 люкс); и
 - е. Цвет или рисунок отслеживаемого объекта сливаются с окружающей средой.
2. При использовании ActiveTrack необходимо соблюдать местные законы о конфиденциальности и руководствоваться моральными принципами.

Соответствие нормативно-правовым актам и зоны, запрещенные для полетов

Нормативно-правовые акты

⚠ ПРЕДУПРЕЖДЕНИЕ

- Соблюдение следующих правил поможет вам избежать серьезных травм и причинения ущерба имуществу:
1. НЕ выполняйте полеты в непосредственной близости от других летательных аппаратов независимо от высоты. (При необходимости произведите посадку немедленно)
 2. НЕ выполняйте полеты над устоявленными районами, городами, над спортивными мероприятиями, выставками, концертами и т. д.
 3. НЕ поднимайте дрон выше разрешенной высоты. Держитесь на расстоянии и НЕ мешайте пилотируемым летательным аппаратам. Всегда держите другие летательные аппараты и препятствия в зоне видимости и облетайте их.

ПРЕДОСТЕРЕЖЕНИЕ

- Соблюдение следующих правил поможет вам избежать серьезных травм и причинения ущерба имуществу:
1. НЕ выполняйте полеты в непосредственной близости и внутри зон, запрещенных для полета, определенных местным законодательством и нормативно-правовыми актами. Список зон, запрещенных для полетов, включает в себя аэропорты, границы между двумя суверенными государствами или регионами, крупные города/регионы и т. д. Этот список постоянно обновляется.
 2. НЕ поднимайте дрон выше разрешенной высоты.
 3. ВСЕГДА держите дрон в поле зрения, прибегая к помощи напарника, если это необходимо.
 4. НИКОГДА не используйте дрон для перевозки незаконных или опасных товаров/грузов.

ПРИМЕЧАНИЕ

1. Вы должны понимать цель вашего полета (для развлечения, для общественного или коммерческого использования) и получить

- соответствующее разрешение органов власти перед полетом. Проконсультируйтесь с местными регулирующими органами по всем соответствующим вопросам. Для пользователей в США сначала необходимо посетить сайт <http://www.knowbeforeyoufly.org/> и далее действовать сообразно обстоятельствам.
2. Помните, что в некоторых странах и регионах может быть запрещено коммерческое использование дистанционно управляемых летательных аппаратов. Перед полетом ознакомьтесь с действующими законами и соблюдайте их, так как они могут отличаться от указанных в этом документе.
 3. НЕ выполняйте полеты вблизи стратегически важных объектов инфраструктуры или зон, таких как электростанции, водочастные сооружения, исправительные учреждения, оживленные шоссе, правительственные учреждения, военные зоны и т. д.
 4. При использовании камеры уважайте конфиденциальность других людей. НЕ производите видеонаблюдение за людьми, объектами, событиями, выступлениями, выставками и собственностью без разрешения или там, где возможно нарушение конфиденциальности, даже если снятые кадры или видео предназначены для личного пользования.
 5. Помните, что в определенных местах фотографирование и видеозапись событий, выступлений, выставок или коммерческой собственности с помощью камеры может нарушать авторское право или другие законные права, даже если снятые кадры или видео предназначены для личного пользования.

Зоны, запрещенные для полетов

ПРИМЕЧАНИЕ

Компания DJI всегда уделяет особое внимание безопасности полетов и разработала для этой цели разнообразные виды поддержки пользователей в области соответствия местным законам и нормативно-правовым актам. Мы настоятельно рекомендуем вам обновить прошивку до последней версии, чтобы полностью обновить следующую информацию.

Зоны, запрещенные для полетов

1. Зоны, запрещенные для полетов, включают в себя (не ограничиваясь ими) крупные аэропорты по всему миру, границы между двумя суверенными государствами или регионами, крупные города/регионы и т. д.
2. Список зон, ЗАПРЕЩЕННЫХ для полетов, приведен на официальном веб-сайте DJI <http://www.dji.com/flysafe/no-fly>. Список периодически обновляется в соответствии с последними нормативными требованиями без предварительного уведомления.
3. Некоторые зоны, запрещенные для полетов, включают в себя несколько участков. Такие зоны состоят из окружающей различных размеров. Дрон НЕ сможет взлететь в самой большой внутренней зоне и будет снижаться до определенной высоты, когда приблизится к краю самой большой внутренней зоны. Когда дрон находится в зоне, запрещенной для полетов, функции наземной станции отключаются.
4. Когда дрон находится в зоне, запрещенной для полетов, пользователь НЕ может установить маршрутные ориентиры.

Ограничение высоты

1. Выполняйте полеты на высоте НЕ БОЛЕЕ 120 метров (400 футов) над поверхностью земли и не приближайтесь к препятствиям. Одобренная максимальная высота полета может быть снижена в соответствии с местным законодательством и нормативно-правовыми актами. Строго соблюдайте все действующие законы.
2. Если вы намерены выполнять полет на высоте, превосходящей установленное ограничение, для активации нового ограничения высота вам будет необходимо согласиться с заявлением об отказе от ответственности. Если установлено новое ограничение высоты, это означает, что вы ознакомились и соглашаетесь в дальнейшем с тем, что данные, включая (но не ограничиваясь этим) полетную телеметрию и записи пользователя, могут быть загружены и сохранены на выделенном сервере DJI.

Компания вправе вносить изменения в содержание данного документа. Актуальную редакцию документа можно загрузить с веб-сайта: www.dji.com/matrice-200-series

MATRICE является товарным знаком компании DJI. © 2017 DJI Все права защищены.

Compliance Information

FCC Compliance Notice

This device complies with Part 15 of the FCC Rules. Operation is subject to the following two conditions: (1) This device may not cause harmful interference, and (2) This device must accept any interference received, including interference that may cause undesired operation.

Any changes or modifications not expressly approved by the party responsible for compliance could void the user's authority to operate the equipment.

This equipment has been tested and found to comply with the limits for a Class B digital device, pursuant to part 15 of the FCC Rules. These limits are designed to provide reasonable protection against harmful interference in a residential installation. This equipment generates, uses and can radiate radio frequency energy and, if not installed and used in accordance with the instructions, may cause harmful interference to radio communications. However, there is no guarantee that interference will not occur in a particular installation. If this equipment does cause harmful interference to radio or television reception, which can be determined by turning the equipment off and on, the user is encouraged to try to correct the interference by one or more of the following measures:

- Reorient or relocate the receiving antenna.
- Increase the separation between the equipment and receiver.
- Connect the equipment into an outlet on a circuit different from that to which the receiver is connected.
- Consult the dealer or an experienced radio/TV technician for help.

RF Exposure Information

This equipment complies with FCC radiation exposure limits set forth for an uncontrolled environment. In order to avoid the possibility of exceeding the FCC radio frequency exposure limits, human proximity to the antenna shall not be less than 20cm during normal operation.

IC RSS Warning

This device complies with Industry Canada licence-exempt RSS standard (s). Operation is subject to the following two conditions: (1) this device may not cause interference, and (2) this device must accept any interference, including interference that may cause undesired operation of the device.

Le présent appareil est conforme aux CNR d'Industrie Canada applicables aux appareils radio exempts de licence.

L'exploitation est autorisée aux deux conditions suivantes:
(1) l'appareil ne doit pas produire de brouillage, et
(2) l'utilisateur de l'appareil doit accepter tout brouillage radioélectrique subi, même si le brouillage est susceptible d'en compromettre le fonctionnement.

IC Radiation Exposure Statement:

This equipment complies with IC RF radiation exposure limits set forth for an uncontrolled environment. This transmitter must not be co-located or operating in conjunction with any other antenna or transmitter.

This equipment should be installed and operated with minimum distance 20cm between the radiator & your body.
Any Changes or modifications not expressly approved by the party responsible for compliance could void the user's authority to operate the equipment.

KCC Warning Message

"해당 무선설비는 운용 중 전파혼신 가능성이 있으므로 인명안전과 관련된 서비스는 할 수 없습니다."
"해당 무선설비는 운용 중 전파혼신 가능성이 있음"

NCC Warning Message

低功率電波輻射性電機管理辦法
第十二條 經型式認證合格之低功率射頻電機，非經許可，公司、商號或使用者均不得擅自變更頻率、加大功率或變更原設計之特性及功能。
第十四條 低功率射頻電機之使用不得影響飛航安全及干擾合法通信；經發現有干擾現象時，應改善至無干擾時方得繼續使用。前項合法通信，指依電信法規定作業之無線電通信。低功率射頻電機須忍受合法通信或工業、科學及醫療用電波輻射性電機設備之干擾。

EU Compliance Statement: SZ DJI TECHNOLOGY CO., LTD. hereby declares that this device is in compliance with the essential requirements and other relevant provisions of the RED Directive.

A copy of the EU Declaration of Conformity is available online at www.dji.com/euro-compliance

Declaración de cumplimiento UE: SZ DJI TECHNOLOGY CO., LTD. por la presente declara que este dispositivo cumple los requisitos básicos y el resto de provisiones relevantes de la Directiva RED. Hay disponible online una copia de la Declaración de conformidad UE en www.dji.com/euro-compliance

EU-verklaring van overeenstemming: SZ DJI TECHNOLOGY CO., LTD. verklaart hierbij dat dit apparaat voldoet aan de essentiële vereisten en andere relevante bepalingen van Richtlijn RED.

De EU-verklaring van overeenstemming is online beschikbaar op www.dji.com/euro-compliance

Declaração de conformidade da UE: A SZ DJI TECHNOLOGY CO., LTD. declara, através deste documento, que este dispositivo está em conformidade com os requisitos essenciais e outras disposições relevantes da Diretiva RED.

Existe uma cópia da Declaração de conformidade da UE disponível online em www.dji.com/euro-compliance

Dichiarazione di conformità UE: SZ DJI TECHNOLOGY CO., LTD. dichiara che il presente dispositivo è conforme ai requisiti essenziali e alle altre disposizioni rilevanti della direttiva RED.

Una copia della dichiarazione di conformità UE è disponibile online all'indirizzo Web www.dji.com/euro-compliance

Déclaration de conformité UE : Par la présente, SZ DJI TECHNOLOGY CO., LTD déclare que cet appareil est conforme aux principales exigences et autres clauses pertinentes de la directive européenne RED.

Une copie de la déclaration de conformité UE est disponible sur le site www.dji.com/euro-compliance

EU-Compliance: Hiermit erklärt SZ DJI TECHNOLOGY CO., LTD., dass dieses Gerät den wesentlichen Anforderungen und anderen einschlägigen Bestimmungen der EU-Richtlinie RED entspricht. Eine Kopie der EU-Konformitätserklärung finden Sie online auf www.dji.com/euro-compliance.

Заявление о соответствии требованиям ЕС SZ DJI TECHNOLOGY CO., LTD. настоящим подтверждает, что данное устройство выполнено в строгом соответствии с основополагающими требованиями и другими актуальными предписаниями Директивы RED. С полным текстом официальной декларации о соответствии требованиям ЕС можно ознакомиться на веб-сайте компании DJI по адресу www.dji.com/euro-compliance



EU contact address: DJI GmbH, Industriestrasse, 12, 97618, Niederlauer, Germany

CAUTION: RISK OF EXPLOSION IF BATTERY IS REPLACED BY AN INCOMPATIBLE TYPE. DISPOSE OF USED BATTERIES ACCORDING TO THE INSTRUCTIONS

Environmentally friendly disposal



Old electrical appliances must not be disposed of together with the residual waste, but have to be disposed of separately. The disposal at the communal collecting point via private persons is for free. The owner of old appliances is responsible to bring the appliances to these collecting points or to similar collection points. With this little personal effort, you contribute to recycle valuable raw materials and the treatment of toxic substances.

Thailand Warning Message

เครื่องโทรคมนาคมและอุปกรณ์นี้ มีความสอดคล้องตามข้อกำหนดของ กทท.

If you have any questions about this document, please contact DJI by sending a message to DocSupport@dji.com.

YC.BZ.S01565.01

Printed in China.