

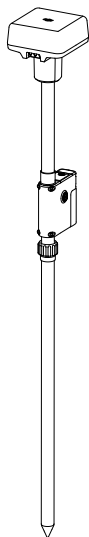
D-RTK 2

High Precision GNSS Mobile Station for Matrice Series

User Guide

使用说明

v1.0 2019.01



Contents

EN	Disclaimer	2
	Warnings	2
	Introduction	2
	In the Box	3
	Overview	4
	Preparation	5
	How to Use the D-RTK 2 Mobile Station for Matrice Series	7
	Appendix	10
CHS	免责声明	12
	注意事项	12
	简介	12
	物品清单	13
	部件说明	14
	准备	15
	使用	17
	附录	20
	Compliance Information	22

Disclaimer

Thank you for purchasing D-RTK™ 2 High Precision GNSS Mobile Station for MATRICE™ Series (hereinafter referred to as the "Product"). Read this disclaimer carefully before using this Product. By using this Product, you hereby agree to this disclaimer and signify that you have read it fully. Please use this Product in strict accordance with the manual and be sure to pay attention to the Warnings. SZ DJI TECHNOLOGY CO., LTD., and its affiliated companies assume no liability for damage(s) or injuries incurred directly or indirectly from using, installing or refitting this Product improperly, including but not limited to using non-designated accessories.

DJI™ is a trademark of SZ DJI TECHNOLOGY CO., LTD. (abbreviated as "DJI") and its affiliated companies. Names of products, brands, etc., appearing in this manual are trademarks or registered trademarks of their respective owner companies. This Product and manual are copyrighted by DJI with all rights reserved. No part of this Product or manual shall be reproduced in any form without the prior written consent or authorization of DJI.

This disclaimer is produced in various languages. In the event of divergence among different versions, the Chinese version shall prevail when the Product in question is purchased in China, and the English version shall prevail when the Product in question is purchased in any other region.

Warnings

1. Only use the D-RTK 2 High Precision GNSS Mobile Station for Matrice Series (abbreviated as D-RTK 2 Mobile Station for Matrice Series) in the corresponding frequency band and in accordance with local laws and regulations.
2. DO NOT bend or fold the cables excessively.
3. Ensure that the D-RTK 2 Mobile Station for Matrice Series is perfectly level when mounted and placed.
4. Only operate in an open environment free from radio interference. Turn off nearby devices using the same frequencies as the D-RTK 2 Mobile Station for Matrice Series (e.g. radio transceivers).
5. Ensure that the antennas of all the devices used are unobstructed when in use.
6. Only use genuine DJI parts or parts certified by DJI. Unauthorized parts or parts from non-DJI-certified manufacturers may cause the system to malfunction and compromise safety.
7. Ensure that the D-RTK 2 Mobile Station for Matrice Series and its components are free from contamination (e.g. water, oil, soil and sand).
8. DO NOT attempt to disassemble any part of the D-RTK 2 Mobile Station for Matrice Series that has already been mounted prior to shipping.
9. Handle the sharp ends of the extension rod and tripod with caution.
10. Keep the battery and the inside of the battery compartment dry and avoid letting them get in contact with any moisture when used in rain, snow, and/or thunderstorms. Operate with caution in severe weather conditions.
11. To maximize the lifespan of the battery, remove the Intelligent Battery from the D-RTK 2 Mobile Station for Matrice Series when not in use.

Introduction

The D-RTK 2 High Precision GNSS Mobile Station for Matrice Series is a next-generation high-precision satellite signal receiver that supports four global satellite navigation systems: GPS, BeiDou, GLONASS, and Galileo with 11-band satellite signal* reception. Its built-in OCUSYNC™ 2.0, LAN, and 4G** data transmission links ensure uninterrupted, stable data transmission under a variety of application scenarios. The D-RTK 2 Mobile Station for Matrice Series can be used as an RTK mobile base station to achieve centimeter-level positioning accuracy of an aircraft equipped with a DJI RTK positioning system (such as Matrice 210 RTK V2). Its functions are uncompromised even in environments with strong magnetic interference, for example, near high-voltage power lines or metal structures. The D-RTK 2 Mobile Station for Matrice Series can also be used as a stationary RTK base station to quickly build network RTK services***.

* Refer to the Specifications for details.

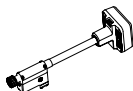
** Supported later.

*** Supported later. DJI only provides technical services, users must comply with the local laws, regulations and requirements for building network RTK services.

In the Box

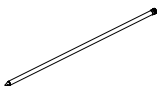
D-RTK 2 Body

x1



Extension Rod

x1



Charging Hub

x1



AC Power Adapter

x1



Intelligent Battery (WB37)

x2



Battery Cover

x1



AC Power Cable

x1



USB-C Cable

x1



Hex Key

x1



Optional Items

① Tripod

② 4G Dongle

③ Power Adapter II

④ LAN Cable

⑤ Carrying Case



① When using the D-RTK 2 Mobile Station for Matrice Series as a mobile base station, use the Tripod to support the D-RTK 2 body.

② When using the D-RTK 2 Mobile Station for Matrice Series as a mobile base station, use the 4G Dongle for the transmission of observation satellite data to the aircraft through the OcuSync LTE Dual Link. When using the D-RTK 2 Mobile Station for Matrice Series as a stationary base station, use the 4G Dongle for the transmission of observation satellite data to the Network RTK server.*

③ When using the D-RTK 2 Mobile Station for Matrice Series as a stationary base station, use the Power Adapter II to connect to the AC power for long-term power supply.

④ When using the D-RTK 2 Mobile Station for Matrice Series as a stationary base station, use the LAN Cable to access the cloud server.

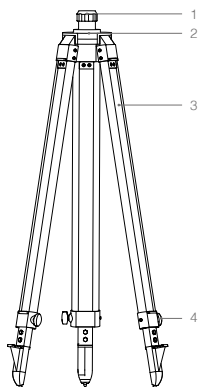
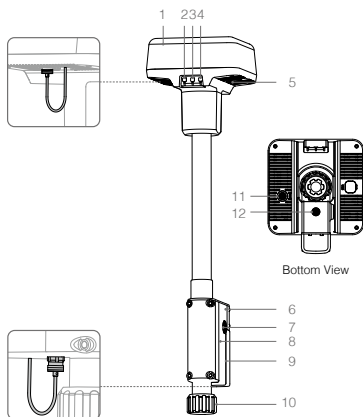
⑤ When transporting the D-RTK 2 Mobile Station for Matrice Series, place the D-RTK 2 Body, Extension Rod and other accessories into the Carrying Case.

* Supported later.

Overview

D-RTK 2 Body

Tripod



1. Antenna
2. Linking Button and Indicator
3. Power Button and Indicator
4. Operating Mode Button and Indicator
5. USB-C Port
6. Dongle Compartment
7. Rosette Mount
8. Battery Compartment
9. Battery Cover
10. Lock Nut
11. LAN Port*
12. External Power Port*

1. Sleeve
2. Mount Base
3. Retractable Legs
4. Knobs

* Equipped with a protective cover that can be stored when the unit is in use. When not in use, cover the ports to protect the unit from moisture and dust.

The illustrations in this document may be slightly different from the actual product. Please refer to the actual one.

Preparation

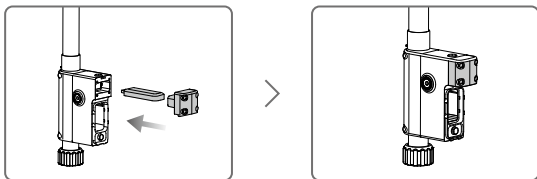
Mounting the Dongle



- Only use a DJI approved dongle. Unapproved dongles may not be installed into the D-RTK 2 Mobile Station for Matrice Series. Internet access and OcuSync may be interfered.
- The dongle supports various network standards. Use a SIM card that is compatible with the chosen mobile network provider and select a mobile data plan according to the planned level of usage.
- Use the dongle and the SIM card in accordance with their manuals.

1. Remove the screws with the hex key and then remove the dongle compartment cover.
2. Insert the dongle into the USB port with the SIM card inserted into the dongle and test.*
3. Re-mount the dongle compartment cover.

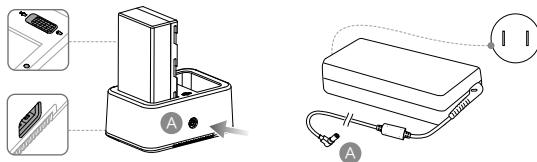
* Test procedure: Press and hold the power button of the D-RTK 2 Mobile Station for Matrice Series to turn it on, and then link it with the aircraft by following the Linking Procedure below. Go to the Camera View in the app, tap ●●● and select RTK. A strong signal is indicated by at least three white bars ■■■ for the network signal of the D-RTK 2 in the status table.



Charging the Battery

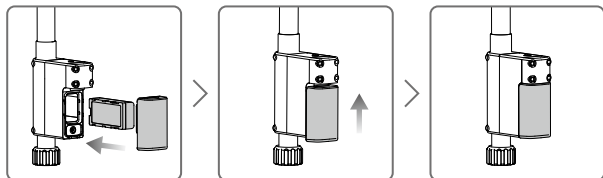
Press the battery level button once to check the battery level. Fully charge the batteries before first-time use.

1. Place the battery into the charging hub, connect the AC power adapter to the Charging Hub, and then connect the AC power adapter to a power outlet (100–240V, 50/60Hz).
2. The charging hub will intelligently charge batteries in sequence according to battery power levels from high to low.
3. The Status LED blinks green when charging and turns solid green when fully charged. The buzzer will begin beeping when charging is complete. Remove the battery or turn off the buzzer to stop it.



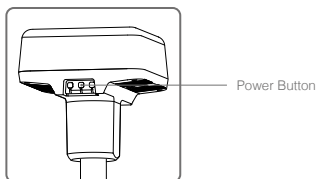
Refer to the WCH2 Charging Hub User Guide and the WB37 Intelligent Battery Safety Guidelines for more details.

Mounting the Battery



Powering the D-RTK 2 Mobile Station for Matrice Series On/Off

Press and hold the power button to power on/off the D-RTK 2 Mobile Station for Matrice Series.



Power Indicator Descriptions

Solid Red	System initializing/error notification
Quick Red Blink	Battery level is less than 20%
Slow Red Blink	Signals from ≤ 5 Satellite received
Solid Yellow	Signals from 6-9 Satellite received
Solid Green	Signals from ≥ 10 Satellite received

Operating Modes

Press and hold the Operating Mode button to switch modes. The indicator will blink yellow once to indicate that the switch is successful.

Operating modes are indicated by the number of green blinks in the indicator.

	Operating Mode 1	Operating Mode 2*
Mode Name	Mobile Base Station	Stationary Base Station
Green Blinking Times	Once	Twice

* Supported later.

How to Use the D-RTK 2 Mobile Station for Matrice Series

Linking

Linking Procedure

The D-RTK 2 Mobile Station for Matrice Series must be linked to the aircraft when using with the M210 RTK V2.

1. Turn on the M210 RTK V2 aircraft and make sure that it is linked to the remote controller.
2. Press the Linking button on the D-RTK 2 Mobile Station for Matrice Series and the linking indicator will blink red and green alternately, indicating that the mobile station is being linked.
3. Press the Linking button on the aircraft.
4. Wait for a few seconds. The linking is successful when the indicator lights on both the aircraft and mobile station become solid green.

Linking Indicator Descriptions

When the linking process starts, the indicator blinks red and green alternately.

When the linking process is finished, the indicator blinking patterns are as shown below.

Operating Mode 1	Status
Solid Green	OcuSync signal quality > 70%
Quick Green Blink	OcuSync signal quality 35%-70%
Slow Green Blink	OcuSync signal quality ≤ 35%
Solid Red	OcuSync signal quality = 0
Operating Mode 2	Status
Solid Green	Network connected
Solid Red	Network disconnected

Activation

Make sure to activate the D-RTK 2 Mobile Station for Matrice Series before first-time use. Activation can be done in the DJI Pilot app or in the DJI ASSISTANT™ 2 software.

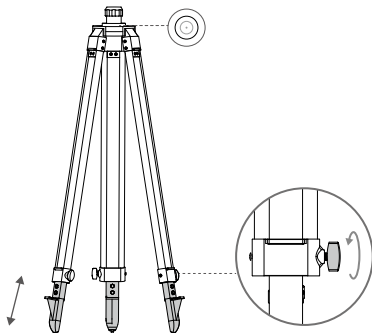
In the app: Turn on the mobile station, and make sure that it is linked to the aircraft. Launch the DJI Pilot app and follow the on-screen steps for activation.

In the software: Turn on the mobile station. Then connect it to the computer using the USB-C cable and follow the on-screen steps for activation.

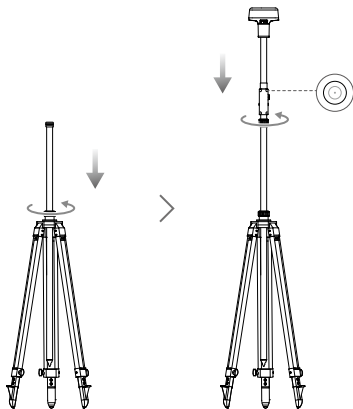
Setup

Choose an open area to set up the D-RTK 2 Mobile Station for Matrice Series. Mark the location and align the center of the tripod with the mark to ensure that the D-RTK 2 Mobile Station for Matrice Series can be replaced at the same location.

1. Unfold the tripod, stretch the three retractable legs to the desired length, and then tighten each of the three knobs. Ensure that the bubble of the bubble level on the mount base is located within the black circle (viewed from the top of the bubble level vertically) while keeping the tripod secure.



2. Insert the extension rod into the tripod and tighten the sleeve on the tripod. Then attach the D-RTK 2 body onto the extension rod and tighten the lock nut on the D-RTK 2 body. Ensure that the bubble of the bubble level on the D-RTK 2 is located within the black circle (viewed from the top of the bubble level vertically).



- DO NOT change the position or angle of the tripod or the D-RTK 2 Mobile Station for Matrice Series after the tripod has been leveled, or else it should be readjusted.
- The setup environment requires a wild field of vision. Ensure that there are no obstructions (trees, buildings) within the zone more than a 15° angle above the horizontal plane of the D-RTK 2 antenna to prevent the GNSS signals from being absorbed or blocked.
- The setup location should be at least 200 m away from high-power radio emission sources (such as television stations, microwave stations, etc.) and at least 50 m away from high-voltage transmission lines to avoid electromagnetic interference to GNSS signals.
- The setup location should be away from large-area waters or objects that strongly interfere with satellite signal reception to reduce multipath effects.

Instructions

1. Lift the extension rod in the tripod to adjust the D-RTK 2 Mobile Station for Matrice Series to the desired height, and then tighten the sleeve.
2. Turn on the D-RTK 2 Mobile Station for Matrice Series, wait until system initialization is complete, and then press and hold the operating mode button to enter Operating Mode 1.
3. Turn on the remote controller and the aircraft. Make sure that the aircraft is linked to both the mobile station and remote controller, and that the DJI Pilot app is launched.
4. In the DJI Pilot app, go to Camera View, tap ●●● on the upper right corner, and then select RTK to enter RTK settings. Enable aircraft RTK function and select D-RTK 2 Mobile Station as the RTK service type. Then view the Status display to check the connection.
5. Wait for the system to start searching for satellites. Start the motors when the status of both the aircraft's orientation and positioning in the status table in the RTK settings page show "FIX".

Advanced Settings

1. Go to the bottom of the RTK settings page, and then tap Advanced Settings.
2. View and edit the device name.
3. Input measured coordinates and altitude* to set them to the D-RTK 2 Mobile Station for Matrice Series when using as a base station.

* If coordinates input into the app are more than 50 m away from the actual coordinates of the D-RTK 2 Mobile Station for Matrice Series, they will not be imported.

If the D-RTK 2 Mobile Station for Matrice Series is restarted after input coordinates are successfully set, these coordinates will be used only if the difference between the actual coordinates and the set coordinates is less than 5 m. Otherwise, the actual positioning coordinates will be used.

Appendix

Specifications

GNSS Receiver	GNSS Frequency	Simultaneously receive: GPS: L1, L2, L5; BeiDou: B1, B2, B3 GLONASS: F1, F2; Galileo: E1, E5A, E5B
	Positioning Accuracy	Single Point Horizontal: 1.5 m (RMS) Vertical: 3.0 m (RMS) RTK Horizontal: 1 cm + 1 ppm (RMS) Vertical: 2 cm + 1 ppm (RMS) 1 ppm: For every 1 km increase in distance, the accuracy will be 1 mm less. For example, the horizontal accuracy is 1.1 cm when the receiving end is 1 km away from the base station.
	Positioning Update Rate	1 Hz, 2 Hz, 5 Hz, 10 Hz and 20 Hz
	Cold Start	< 45 s
	Hot Start	< 10 s
	Recapture Time	< 1 s
	Initialization Reliability	> 99.9%
	Differential Data Format	RTCM 2.x/3.x
Communication and Data Storage	Data Link	OcuSync 2.0, LAN, 4G
	Operating Frequency	2.4000-2.4835 GHz; 5.725-5.850 GHz
	OcuSync 2.0 EIRP	2.4 GHz FCC/NCC: < 26 dBm SRRC/CE/MIC/ KCC: < 20 dBm 5.8 GHz FCC/SRRC/NCC: < 26 dBm; CE: < 14 dBm
	OcuSync 2.0 Communication Distance	Between the aircraft and mobile station: NCC/FCC: 7 km; CE/MIC/SRRC: 5 km Between the remote controller and mobile station: 200 m (Unobstructed and free of interference at a flying altitude of about 120 m, when the distance from the D-RTK 2 antenna to the bottom of the tripod is 1.8 m, and when the remote controller is 1.2 m from ground level)
	Memory Capacity	16 GB
IMU	Features	Built-in high-precision 6-axis accelerometer D-RTK 2 movement monitoring Sloping measurements Electronic bubble level
Electrical Characteristics	Power Consumption	12 W
	Power Supply	16.5 to 58.8VDC
	Battery	Type: Lithium-ion battery Capacity: 4920 mAh Energy: 37.3 Wh
	Run Time	WB37 battery: > 2 h
Physical Characteristics	Dimensions (D-RTK 2 body with extension rod)	168 mm × 168 mm × 1708 mm
	IP Rating	IP67
Operating Temperature		-4° to 131° F (-20° to 55° C)

Updating the Firmware

Update the firmware of the D-RTK 2 Mobile Station for Matrice Series in the DJI Pilot app or the DJI Assistant 2 software. DJI Pilot is used in the following instructions as an example.

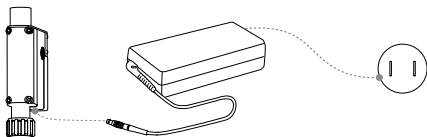
1. Make sure that the mobile station is linked to the aircraft. Turn on the mobile station, remote controller and aircraft.
2. Make sure that the app has access to the Internet. When a new firmware is detected, a prompt for update will appear.
3. Follow the on-screen steps to update the firmware.

If users choose to ignore the update prompt, the firmware version detection and update can be done later by going to Camera View, and tapping ●●● > ⚙ > About.

Accessories Usage

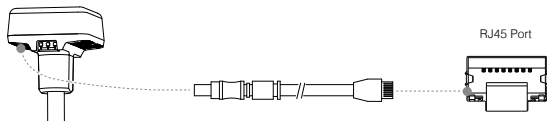
Power Adapter II

Connect the Power Adapter II to the external power port, then connect the Power Adapter II to a power outlet (100-240V, 50/60Hz) with the AC power cable.



LAN Cable

Use the LAN cable to access the public network.



Be sure to comply with local laws and regulations when transmitting satellite positioning information on a public network.

This content is subject to change.

Download the latest version from
<http://www.dji.com/d-rtk-2>

D-RTK is a trademark of DJI.
 Copyright © 2019 DJI All Rights Reserved.

免责声明

感谢您购买 D-RTK™ 2 高精度 GNSS 移动站 MATRICE™ 版（简称 D-RTK 2 移动站 Matrice 版）。在使用之前，请仔细阅读本声明，一旦使用，即被视为对本声明全部内容的认可和接受。请严格遵守本文安装和使用该产品，并务必重视注意事项。因用户不当使用、安装、改装（包括但不限于使用非 DJI 指定的零配件）造成的任何损失，深圳市大疆™ 创新科技有限公司及其关联公司将不承担任何责任。

DJI™ 是深圳市大疆创新科技有限公司及其关联公司的商标。本文出现的产品名称、品牌等，均为其所属公司的商标或注册商标。本产品及文档为深圳市大疆创新科技有限公司版权所有。未经许可，不得以任何形式复制翻印。

关于不同语言版本的免责声明可能存在的语义差异，中国以中文版为准，其他地区以英文版为准。

注意事项

1. 根据当地无线电规定，使用对应频段的 D-RTK 2 移动站 Matrice 版，并遵守当地无线电法律法规。
2. 安装时切勿过度弯曲和折叠线材。
3. 安装和摆放时，务必确保 D-RTK 2 移动站 Matrice 版与水平面相对水平。
4. 在开阔、不受无线电干扰的环境中使用 D-RTK 2 移动站 Matrice 版。务必在关闭其他同频段的无线设备（如对讲机等）后再使用。
5. 使用过程中请确保所有设备的天线均不受遮挡。
6. 使用原厂配件或经过 DJI 认证的配件。使用非原厂配件有可能对系统的安全使用造成危险。
7. 确保部件内部没有进入任何异物（如：水、油等液体，沙土等）。
8. 切勿自行拆下出厂时已安装的任何部件。
9. 延长杆底部及三脚架底部较为尖锐，使用时务必小心。
10. 雨雪天气使用时，请注意保持电池及电池仓内部干燥，避免接触雨雪。雷电天气请谨慎使用，注意防雷。
11. 为提高电池使用寿命，关闭 D-RTK 2 移动站 Matrice 版后，请及时取出其中的智能电池。

简介

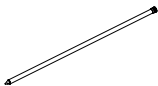
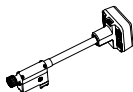
D-RTK 2 高精度 GNSS 移动站 Matrice 版是 DJI 最新研发的高精度卫星信号接收机，支持 GPS、BeiDou、GLONASS 和 Galileo 4 系统 11 频* 的卫星信号接收，同时内置 OCUSYNC™ 2.0、LAN、4G 等数据传输链路，方便用户在不同应用场景使用。D-RTK 2 移动站 Matrice 版可作为 RTK 移动基站，将装备有 DJI RTK 定位系统的飞行器（如 Matrice 210 RTK V2）定位精度由米级提升至厘米级，而且提供强大的抗磁干扰能力，在高压线、金属建筑等强磁干扰的环境下保障可靠的作业飞行。D-RTK 2 移动站 Matrice 版还可以作为固定基站，用来快速建立网络 RTK 服务**。

* 详见规格参数。

** 后续支持；网络 RTK 服务的建设必须符合当地法律法规和资质要求，DJI 仅提供技术服务。

物品清单

D-RTK 2 主体 ×1 延长杆 ×1 充电管家 ×1



电源适配器 ×1 智能电池 (WB37) ×2 电池盖 ×1



AC 电源线 ×1 USB-C 线 ×1 内六角扳手 ×1



可选配件

① 三脚架

② 4G 无线上网卡

③ 电源适配器 II

④ LAN 线

⑤ 手提箱



① 作为移动基站使用时，用于固定 D-RTK 2 主体。

② 作为移动基站使用时，用于通过 OcuSync LTE 增强链路向飞行器传输卫星观测数据。作为固定基站使用时，用于向网络 RTK 服务器传输卫星观测数据。

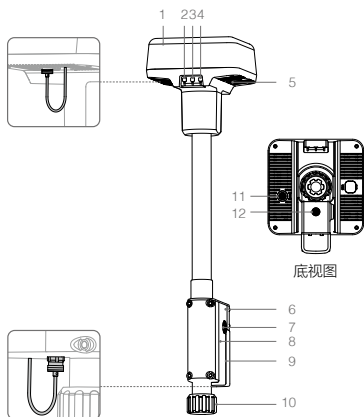
③ 作为固定基站使用时，连接至交流电源提供长时间供电。

④ 作为固定基站使用时，连接 LAN 线通过有线网络接入到云端服务器。

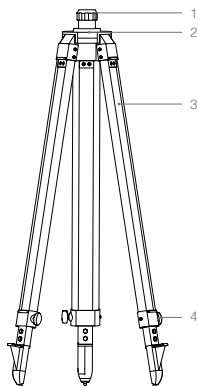
⑤ 用于放置 D-RTK 2 主体、延长杆及其他配件，方便运输。

部件说明

D-RTK 2 主体



三脚架



1. 天线
2. 对频按键及指示灯
3. 电源按键及指示灯
4. 模式按键及指示灯
5. USB-C 接口
6. 无线上网卡仓
7. 盘齿
8. 电池仓
9. 电池盖
10. 锁定螺母
11. LAN 口 *
12. 外部电源接口 *

1. 套筒
2. 底座
3. 伸缩杆
4. 旋钮

* 配备保护盖，接口使用时取下保护盖并保存好；接口未使用时请盖好保护盖以防防水防尘。

文中图示可能与实物存在细微差别，请以实物为准。

准备

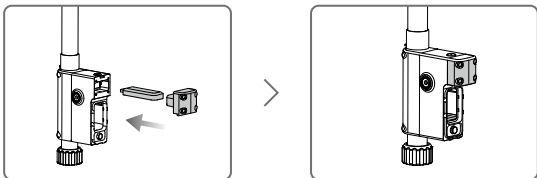
安装无线上网卡

- ⚠ • 务必使用 DJI 认证的无线上网卡*。否则可能无法安装到设备上，无法上网或者干扰 OcuSync 通信。
- 用户需自备 SIM 卡，并根据实际使用情况选择合适的流量服务。无线上网卡支持多种网络制式，根据当地运营商网络的实际情况选择合适的 SIM 卡，以获得最佳体验。
- 按照无线上网卡及 SIM 卡本身的使用说明进行操作。

* 中国大陆地区推荐使用中兴 MF833U（支持 LTE TDD B38/41，FDD B1/3/5/8，UMTS B1/8），其他国家和地区推荐使用中兴 MF833V（支持 LTE FDD B1/2/3/4/5/7/8/12&B17/20，UMTS B1/2/4/5/8，GSM 850/900/1800/1900）。

1. 使用内六角扳手移除无线上网卡仓盖。
2. 无线上网卡中装入 SIM 卡，然后安装到仓内。测试确保工作正常**。
3. 重新安装无线上网卡仓盖。

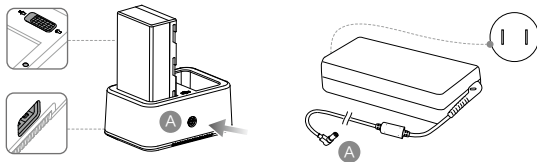
** 测试方法：长按电源按键开启 D-RTK 2 移动站 Matrice 版，按照后文的“对频方法”与飞行器对频后，进入 App 相机界面 > ●●● > RTK，在移动站状态显示列表中，D-RTK 2 移动站对应的网络信号状态 📶 为三格及以上表示传输信号良好。



充电

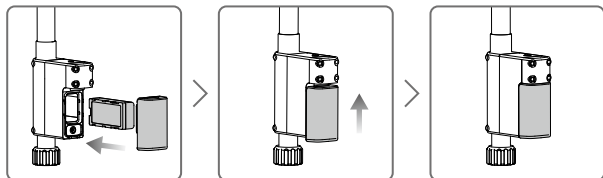
短按一次电池的电量按键，可查看电池电量。首次使用时，务必将电池充满。

1. 安装电池到充电管家中，再将电源适配器接头插入充电管家的电源接口，最后连接充电器到交流电源（100-240V，50/60Hz）。
2. 充电过程中，充电管家会优先选择电量较高的电池进行充电。
3. 充电管家绿灯闪烁表示正在充电，绿灯常亮表示充电完毕。电池充满时会有声音提示，拨下电池或关闭蜂鸣器开关可停止声音提示。



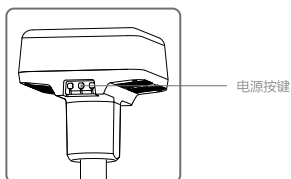
💡 参考《WCH2 充电管家使用说明》和《WB37 智能电池安全使用指引》，了解更多内容。

安装电池



开启 / 关闭 D-RTK 2 移动站 Matrice 版

长按电源按键以开启 / 关闭 D-RTK 2 移动站 Matrice 版。



电源指示灯说明

红灯常亮	正在初始化 / 错误报警
红灯快闪	电量 <20%
红灯慢闪	接收卫星数量 ≤ 5 颗
黄灯常亮	接收卫星数量 6-9 颗
绿灯常亮	接收卫星数量 ≥ 10 颗

选择工作模式

长按模式按键进行切换，模式指示灯黄灯闪烁一次表示切换成功。

模式状态指示灯绿灯周期内循环闪烁的次数表示不同的工作模式，详细见下表：

模式	工作模式 1	工作模式 2*
模式	移动基站	固定基站
闪灯 (绿色)	1 次	2 次

* 后续支持。

使用

对频

对频方法

D-RTK 2 移动站 Matrice 版需要与 M210 RTK V2 飞行器对频后，方可使用。

1. 开启 M210 RTK V2 飞行器，并确保已与遥控器对频。
2. 短按一次 D-RTK 2 移动站 Matrice 版上的对频按键，对频状态指示灯红绿交替闪烁表示进入对频状态。
3. 短按一次飞行器上的对频按键。
4. 等待数秒后，飞行器及移动站的对频状态指示灯均为绿灯常亮，表示对频成功。

对频状态指示灯说明

进入对频状态时，对频状态指示灯将红绿交替闪烁。

退出对频状态时，对频状态指示灯显示如下：

工作模式 1	状态
绿灯常亮	OcuSync 信号质量 >70%
绿灯快闪	OcuSync 信号质量 35%-70%
绿灯慢闪	OcuSync 信号质量 ≤ 35%
红灯常亮	OcuSync 信号质量 =0
工作模式 2	状态
绿灯常亮	网络已连接
红灯常亮	网络未连接

激活

首次使用，需要激活 D-RTK 2 移动站 Matrice 版。用户可通过 DJI Pilot App 或 DJI ASSISTANT™ 2 调参软件完成激活。

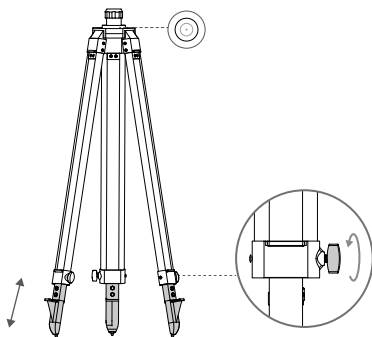
通过 App 激活：开启移动站，并确保已与飞行器对频，运行 DJI Pilot App，按照 App 提示进行激活操作。

通过调参软件：开启移动站，使用 USB-C 线连接移动站至计算机，按照软件提示进行激活操作。

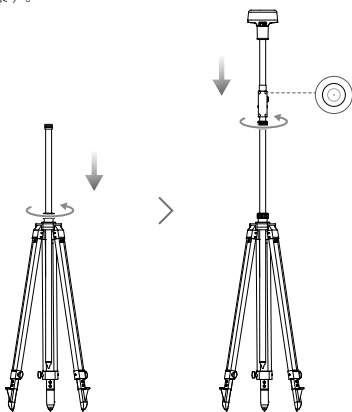
架设 D-RTK 2 移动站 Matrice 版

选择视野开阔的地点架设 D-RTK 2 移动站 Matrice 版并作标记（使三脚架的中心对准标记点中心），以便 D-RTK 2 移动站 Matrice 版被移动后可以准确复位。

1. 撑开三脚架，将三根伸缩杆拉伸至合适长度，然后拧紧旋钮。确保基座上水平仪中的气泡保持在黑色圆圈内（从水平仪垂直正上方观察），同时确保三脚架稳固。



2. 安装延长杆至三脚架，拧紧三脚架上的套筒。安装 D-RTK 2 主体至延长杆，拧紧主体上的锁定螺母。确保 D-RTK 2 移动站 Matrice 版上水平仪中的气泡保持在黑色圆圈内（从水平仪垂直正上方观察）。



- 三脚架调至水平后，请勿改变三脚架或 D-RTK 2 移动站 Matrice 版的位置及角度，否则需要重新调平。
- 移动站的架设环境要求视野开阔，确保 D-RTK 2 移动站 Matrice 版天线周围 15° 以上没有障碍物（树木、建筑物），以避免 GNSS 信号被吸收或遮挡。
- 移动站的架设环境应远离大功率无线电发射源（如电视台、微波站等）至少 200 m，远离高压输电线至少 50 m，以避免电磁场对 GNSS 信号的干扰。
- 移动站的架设环境附近不应有大面积水域或强烈干扰卫星信号接收的物体，以减弱多路径效应的影响。

使用 D-RTK 2 移动站 Matrice 版

使用方法

1. 升起延长杆调整移动站至合适的高度，然后拧紧套筒。
2. 开启移动站电源，等待系统完成初始化，长按模式按键切换到工作模式 1。
3. 开启遥控器和飞行器电源。确保飞行器与遥控器、移动站均已对频，显示设备已运行 DJI Pilot App。
4. 进入 App 相机界面，点击右上角 ●●● > RTK，进入 RTK 设置页面。打开“飞行器 RTK”开关，在“选择 RTK 服务类型”中选取“D-RTK 2 移动站”。查看“状态”项是否为连接成功。
5. 等待搜星，在 RTK 设置页面的状态显示列表中，飞行器 RTK 的定向及定位状态均为 FIX，则可启动电机起飞。

高级设置

1. 在“RTK 设置”页面底部，点击“高级设置”，进入高级设置。
2. 查看及修改设备名称。
3. 当移动站做基站时，可以输入已有坐标，从而使基站的坐标定位为已知的坐标和海拔*。

* 在 App 中输入坐标时，若 D-RTK 2 移动站 Matrice 版实际定位坐标与输入坐标距离超过 50 m，则无法写入坐标。

若在成功写入坐标后重启 D-RTK 2 移动站 Matrice 版，当实际定位坐标与输入坐标距离在 5 m 内，则使用之前通过 App 写入的坐标。否则，将使用当前定位的坐标。

附录

规格参数

GNSS 接收机	卫星接收频点	同时接收: GPS: L1, L2, L5 BeiDou: B1, B2, B3 GLONASS: F1, F2 Galileo: E1, E5A, E5B
	定位精度	单点 水平: 1.5 m (RMS) 垂直: 3.0 m (RMS) RTK 水平: 1 cm+1 ppm (RMS) 垂直: 2 cm+1 ppm (RMS) 1 ppm: 每增加 1 km, 精度变差 1 mm。 例如距离基站 1 km, 则精度为 1.1 cm。
	定位更新率	1 Hz, 2 Hz, 5 Hz, 10 Hz 和 20 Hz
	冷启动	< 45 s
	热启动	< 10 s
	重捕获	< 1 s
	初始化可靠性	> 99.9%
	差分数据传输格式	RTCM 2.X/3.X
	通信和 数据存储	数据链路
工作频率		2.4000-2.4835 GHz; 5.725-5.850 GHz
OcuSync 2.0 等效全向辐射功率 (EIRP)		2.4 GHz SRRRC/CE/MIC/KCC: < 20 dBm FCC/NCC: < 26 dBm 5.8 GHz SRRRC/NCC/FCC: < 26 dBm; CE: < 14 dBm
OcuSync 2.0 通信距离		飞行器与移动站: NCC/FCC: 7 km; SRRRC/CE/MIC: 5 km 遥控器与移动站: 200 m (无干扰、无遮挡, 飞行高度约 120 m, 移动站架设高度即天线至三脚架末端的高度为 1.8 m, 遥控器距地面高度为 1.2 m)
内存容量		16G
惯性测量单元	功能特性	内置高精度 6 轴加速度计 D-RTK 2 移动监测 倾斜测量 电子气泡
电气特性	功耗	12 W
	电源	16.5 至 58.8VDC
	电池	类型: 锂离子电池 容量: 4920 mAh 能量: 37.3 Wh
	工作时间	WB37 电池: > 2 h

物理特性	尺寸 (D-RTK 2 主体 + 延长杆)	168 mm × 168 mm × 1708 mm
	防尘防水	IP67
工作环境温度	-20℃至 55℃	

固件升级

D-RTK 2 移动站 Matrice 版可以使用 DJI Pilot App 或 DJI Assistant 2 调参软件进行固件升级。下面以使用 App 升级为例进行说明。

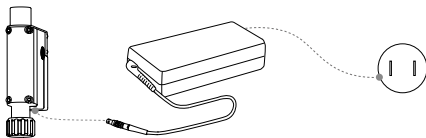
1. 确保移动站已与飞行器对频，开启移动站、遥控器及飞行器。
2. 确保 App 可访问互联网。若检测到新固件，App 将弹出提示。
3. 按照提示进行固件升级。

若取消此次升级，则可在相机界面点击 ●●● > ⌘ > 关于，进行固件版本检测及升级。

部分配件使用方法

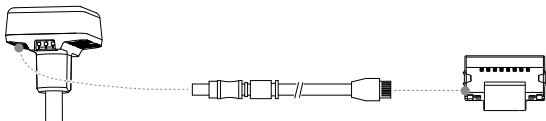
使用电源适配器 II

先将电源适配器 II 连接到 D-RTK 2 移动站 Matrice 版的外部电源接口，再使用 AC 电源线连接到交流电源（100-240V，50/60Hz）。



使用 LAN 线

当需要通过网线接入公网时，请使用 LAN 线连接。



⚠ 卫星定位信息接入公网时，务必符合当地法律法规要求。

内容如有更新，恕不另行通知。

您可以在 DJI 官方网站查询最新版本

<http://www.dji.com/d-rtk-2>

D-RTK 是大疆创新的商标。

Copyright © 2019 大疆创新 版权所有

Compliance Information

FCC Compliance Notice

This device complies with Part 15 of the FCC Rules. Operation is subject to the following two conditions: (1) This device may not cause harmful interference, and (2) This device must accept any interference received, including interference that may cause undesired operation.

Any changes or modifications not expressly approved by the party responsible for compliance could void the user's authority to operate the equipment.

This equipment has been tested and found to comply with the limits for a Class B digital device, pursuant to part 15 of the FCC Rules. These limits are designed to provide reasonable protection against harmful interference in a residential installation. This equipment generates, uses and can radiate radio frequency energy and, if not installed and used in accordance with the instructions, may cause harmful interference to radio communications. However, there is no guarantee that interference will not occur in a particular installation. If this equipment does cause harmful interference to radio or television reception, which can be determined by turning the equipment off and on, the user is encouraged to try to correct the interference by one or more of the following measures:

- Reorient or relocate the receiving antenna.
- Increase the separation between the equipment and receiver.
- Connect the equipment into an outlet on a circuit different from that to which the receiver is connected.
- Consult the dealer or an experienced radio/TV technician for help.

RF Exposure Information

This equipment complies with FCC radiation exposure limits set forth for an uncontrolled environment. In order to avoid the possibility of exceeding the FCC radio frequency exposure limits, human proximity to the antenna shall not be less than 20cm during normal operation.

ISED Warning

This device contains licence-exempt transmitter(s)/receiver(s) that comply with Innovation, Science and Economic Development Canada's licence-exempt RSS(s). Operation is subject to the following two conditions: (1) This device may not cause interference. (2) This device must accept any interference, including interference that may cause undesired operation of the device.

L'émetteur/récepteur exempt de licence contenu dans le présent appareil est conforme aux CNR d'Innovation, Sciences et Développement économique Canada applicables aux appareils radio exempts de licence. L'exploitation est autorisée aux deux conditions suivantes : (1) L'appareil ne doit pas produire de brouillage; (2) L'appareil doit accepter tout brouillage radioélectrique subi, même si le brouillage est susceptible d'en compromettre le fonctionnement.

This equipment complies with RSS-102 radiation exposure limits set forth for an uncontrolled environment. This equipment should be installed and operated with minimum distance 20cm between the radiator and your body. This transmitter must not be co-located or operating in conjunction with any other antenna or transmitter.

Cet équipement est conforme aux limites d'exposition aux radiations CNR-102 établies pour un environnement non contrôlé. Cet équipement doit être installé et utilisé avec une distance minimale de 20 cm entre le radiateur et votre corps.

KCC Warning Message

"해당무선설비는 운용 중 전파혼신 가능성이 있으므로 인명안전과 관련된 서비스는 할 수 없습니다."

"해당 무선설비는 운용 중 전파혼신 가능성이 있음"

NCC Warning Message

低功率電波輻射性電機管理辦法

第十二條 經型式認證合格之低功率射頻電機，非經許可，公司、商號或使用者均不得擅自變更頻率、加大功率或變更原設計之特性及功能。

第十四條 低功率射頻電機之使用不得影響飛航安全及干擾合法通信；經發現有干擾現象時，應改善至無干擾時方得繼續使用。前項合法通信，指依電信法規定作業之無線電通信。低功率射頻電機須忍受合法通信或工業、科學及醫療用電波輻射性電機設備之干擾。

EU Compliance Statement: SZ DJI TECHNOLOGY CO., LTD. hereby declares that this device is in compliance with the essential requirements and other relevant provisions of the Directive 2014/53/EU.

A copy of the EU Declaration of Conformity is available online at www.dji.com/euro-compliance

EU contact address: DJI GmbH, Industriestrasse 12, 97618, Niederlauer, Germany

Declaración de cumplimiento UE: SZ DJI TECHNOLOGY CO., LTD. por la presente declara que este dispositivo cumple los requisitos básicos y el resto de provisiones relevantes de la Directiva 2014/53/EU.

Hay disponible online una copia de la Declaración de conformidad UE en www.dji.com/euro-compliance

Dirección de contacto de la UE: DJI GmbH, Industriestrasse 12, 97618, Niederlauer, Germany

EU-verklaring van overeenstemming: SZ DJI TECHNOLOGY CO., LTD. verklaart hierbij dat dit apparaat voldoet aan de essentiële vereisten en andere relevante bepalingen van Richtlijn 2014/53/EU.

De EU-verklaring van overeenstemming is online beschikbaar op www.dji.com/euro-compliance

Contactadres EU: DJI GmbH, Industriestrasse 12, 97618, Niederlauer, Germany

Declaração de conformidade da UE: A SZ DJI TECHNOLOGY CO., LTD. declara, através deste documento, que este dispositivo está em conformidade com os requisitos essenciais e outras disposições relevantes da Diretiva 2014/53/EU.

Existe uma cópia da Declaração de conformidade da UE disponível online em www.dji.com/euro-compliance

Endereço de contacto na UE: DJI GmbH, Industriestrasse 12, 97618, Niederlauer, Germany

Dichiarazione di conformità UE: SZ DJI TECHNOLOGY CO., LTD. dichiara che il presente dispositivo è conforme ai requisiti essenziali e alle altre disposizioni rilevanti della direttiva 2014/53/EU.

Una copia della dichiarazione di conformità UE è disponibile online all'indirizzo Web www.dji.com/euro-compliance

Indirizzo di contatto UE: DJI GmbH, Industriestrasse 12, 97618, Niederlauer, Germany

Déclaration de conformité UE: Par la présente, SZ DJI TECHNOLOGY CO., LTD déclare que cet appareil est conforme aux principales exigences et autres clauses pertinentes de la directive européenne 2014/53/EU.

Une copie de la déclaration de conformité UE est disponible sur le site www.dji.com/euro-compliance

Adresse de contact pour l'UE : DJI GmbH, Industriestrasse 12, 97618, Niederlauer, Germany

EU-Compliance: Hiermit erklärt SZ DJI TECHNOLOGY CO., LTD., dass dieses Gerät den wesentlichen Anforderungen und anderen einschlägigen Bestimmungen der EU-Richtlinie 2014/53/EU entspricht.

Eine Kopie der EU-Konformitätserklärung finden Sie online auf www.dji.com/euro-compliance.

Kontaktadresse innerhalb der EU: DJI GmbH, Industriestrasse 12, 97618, Niederlauer, Germany



CAUTION: RISK OF EXPLOSION IF BATTERY IS REPLACED BY AN INCORRECT TYPE. DISPOSE OF USED BATTERIES ACCORDING TO THE INSTRUCTIONS

Environmentally friendly disposal



Old electrical appliances must not be disposed of together with the residual waste, but have to be disposed of separately. The disposal at the communal collecting point via private persons is for free. The owner of old appliances is responsible to bring the appliances to these collecting points or to similar collection points. With this little personal effort, you contribute to recycle valuable raw materials and the treatment of toxic substances.

Umweltfreundliche Entsorgung



Elektro-Altgeräte dürfen nicht mit gewöhnlichem Abfall entsorgt werden und müssen separat entsorgt werden. Die Entsorgung an kommunalen Sammelstellen ist für Privatpersonen kostenlos. Die Eigentümer der Altgeräte sind für den Transport zu den Sammelstellen verantwortlich. Durch diesen geringen Aufwand können Sie zur Wiederverwertung von wertvollen Rohmaterialien beitragen und dafür sorgen, dass umweltschädliche und giftige Substanzen ordnungsgemäß unschädlich gemacht werden.

Tratamiento de residuos responsable con el medio ambiente



Los aparatos eléctricos viejos no pueden desecharse junto con los residuos orgánicos, sino que deben ser desechados por separado. Existen puntos limpios donde los ciudadanos pueden dejar estos aparatos gratis. El propietario de los aparatos viejos es responsable de llevarlos a estos puntos limpios o similares puntos de recogida. Con este pequeño esfuerzo estás contribuyendo a reciclar valiosas materias primas y al tratamiento de residuos tóxicos.

Mise au rebut écologique



Les appareils électriques usagés ne doivent pas être éliminés avec les déchets résiduels. Ils doivent être éliminés séparément. La mise au rebut au point de collecte municipal par l'intermédiaire de particuliers est gratuite. Il incombe au propriétaire des appareils usagés de les apporter à ces points de collecte ou à des points de collecte similaires. Avec ce petit effort personnel, vous contribuez au recyclage de matières premières précieuses et au traitement des substances toxiques.

Smaltimento ecologico



I vecchi dispositivi elettrici non devono essere smaltiti insieme ai rifiuti residui, ma devono essere smaltiti separatamente. Lo smaltimento da parte di soggetti privati presso i punti di raccolta pubblici è gratis. È responsabilità del proprietario dei vecchi dispositivi portarli presso tali punti di raccolta o punti di raccolta analoghi. Grazie a questo piccolo impegno personale contribuirete al riciclo di materie prime preziose e al corretto trattamento di sostanze tossiche.

Milieuvriendelijk afvoeren



Oude elektrische apparaten mogen niet worden weggegooid samen met het restafval, maar moeten afzonderlijk worden afgevoerd. Afvoeren via het gemeentelijke inzamelpunt is gratis voor particulieren. De eigenaar van oude toestellen is verantwoordelijk voor het inleveren van de apparaten op deze of vergelijkbare inzamelpunten. Met deze kleine persoonlijke inspanning lever je een bijdrage aan de recycling van waardevolle grondstoffen en de verwerking van giftige stoffen.

Eliminação ecológica



Os aparelhos elétricos antigos não podem ser eliminados juntamente com os materiais residuais. Têm de ser eliminados separadamente. A eliminação no ponto de recolha público através de entidades particulares é gratuita. É da responsabilidade do proprietário de aparelhos antigos levá-los a estes pontos de recolha ou a pontos de recolha semelhantes. Com este pequeno esforço pessoal, contribui para a reciclagem de matérias-primas úteis e para o tratamento de substâncias tóxicas.

Thailand Warning message

เครื่องโทรคมนาคมและอุปกรณ์นี้ มีความสอดคล้องตามข้อกำหนดของ กทช.

Mexico Warning message

"La operación de este equipo está sujeta a las siguientes dos condiciones: (1) es posible que este equipo o dispositivo no cause interferencia perjudicial y (2) este equipo o dispositivo debe aceptar cualquier interferencia, incluyendo la que pueda causar su operación no deseada."

Brazil Warning message

Este equipamento opera em caráter secundário, isto é, não tem direito a proteção contra interferência prejudicial, mesmo de estações do mesmo tipo, e não pode causar interferência a sistemas operando em caráter primário

部件名称	有害物质					
	铅 (Pb)	汞 (Hg)	镉 (Cd)	六价铬 (Cr ⁶⁺)	多溴联苯 (PBB)	多溴二苯醚 (PBDE)
线路板	×	○	○	○	○	○
外壳	×	○	○	○	○	○
金属部件 (铜合金)	×	○	○	○	○	○
内部线材	×	○	○	○	○	○
其他配件	×	○	○	○	○	○

本表格依据 SJ/T 11364 的规定编制。

○：表示该有害物质在该部件所有均质材料中的含量均在 GB/T 26572 规定的限量要求以下。

×：表示该有害物质至少在该部件的某一均质材料中的含量超出 GB/T 26572 规定的限量要求。

(产品符合欧盟 ROHS 指令环保要求)

DJI Support
DJI 技术支持

<http://www.dji.com/support>

If you have any questions about this document, please contact DJI by sending a message to **DocSupport@dji.com**.

如果您对说明书有任何疑问或建议，请通过以下电子邮箱联系我们：
DocSupport@dji.com。

Printed in China.

YC.BZ.SS000907.01